

Yilida Air Conditioning Ventilation Technical Manual

Direct Driven
直联驱动

Zhejiang Yilida Ventilator Co., Ltd.
浙江亿利达风机股份有限公司

Stock Code 股票代码 002686

Yilida Road, Hengjie, Luqiao District, Taizhou City, Zhejiang, China P.C: 318056
中国浙江台州市路桥区横街亿利达路

Tel : +86 576 82656000 +86 576 82658900
Fax : +86 576 82655758
E-mail : info@yilida.com

Hot Line (全球服务热线) : 400 1135 666 International Trade (国际贸易) : +86 576 82622666 www.yilida.com

Version Number: A202012 The rights of final interpretation of this brochure belongs to Yilida.
© 2020 All Rights Reserved by Yilida

版本号: A202012 该手册最终解释权归亿利达股份公司所有
© 2020 亿利达拥有版权并保留所有权利

本样本中所述的风机特性, 如尺寸、性能参数等, 本公司保留更改的权利, 恕不另行通知; 如有不明之处, 请来电询问。
This fan features described in the sample, such as size, performance parameters, the Company reserves the right to change without notice; if unknown place, please call us.

Yilida[®]

The Smart Air

目录

The SYP Series Centrifugal Fan

SYP 系列离心式空调风机

The SYZ Series Centrifugal Fan

SYZ 系列离心式空调风机

The SYB Series Centrifugal Fan

SYB 系列离心式空调风机

The SYBS Series Centrifugal Fan

SYBS 系列离心式空调风机

CONTENTS

003-030

031-061

062 -102

103-114



SYP 系列离心式空调风机

概述

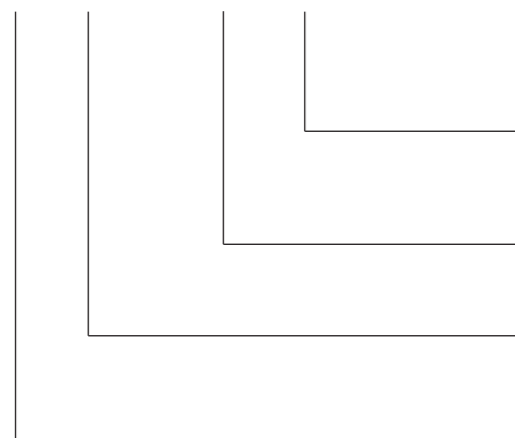
SYP 系列离心式空调风机是本公司在国内首家推出的中央空调风机盘管专用前向多翼离心式金属风机。具有效率高、噪声低、结构精巧等特点，风量和压力能满足宽广的运行范围，叶轮直径 130~250mm，风量 250m³/h~3000m³/h。产品达到国内领先水平，首家代替进口，目前市场占有率 55% 以上。

Summary

The SYP series air-conditioning fan, used for fan coil only, is the forward multi-vane centrifugal metallic fan developed and manufactured first by our company in the country. The fan Wheels are made of high quality of hot galvanizing steel sheet by using stamping technology with the advantages of high efficiency, lower noise and precision construction. Both the flow volume and pressure can meet with wide application, and the diameter of the Wheel is from 130mm to 250mm. The flow volume ranges from 250m³/h to 3000m³/h. Our products have reached the advanced level and have replaced those imported ones first in the country. Now the products have 55% share of the domestic market.

命名方式

SYP 250 / 190 J



Nomenclature

可省略代号(叶轮卷边式加工工艺,与风机性能及尺寸无关)
Code J, can be omitted(technology of edge-curved wheel, nothing with fan performance and dimensions)

叶轮名义长度(inch)
Nominal length Wheel(inch)

叶轮名义直径(inch)
Nominal diameter of Wheel (inch)

前向多翼离心风机系列代号
Fan series with multi-vane forward curved blades

产品型式

风机按轴套安装的方向可分为左式和右式，从轴套一端正视，叶轮顺时针旋转的称为右式，逆时针旋转的称为左式。

Product Features

According to the installed position of the hub, the fan can be divided into two types, right type and left type; viewing from hub side, if the Wheel rotates clockwise, the fan is called right type; if it rotates anti-clockwise, the fan is called left type.

产品结构

SYP 系列风机主要机壳、叶轮、轴套三部分组成。

1. 机壳

机壳采用优质热镀锌钢板制成，侧板具有符合空气动力的外形，进风圈整体拉伸成型，蜗板以咬边的方式，用自攻螺钉与侧板连成一体。在出风口，蜗板设计成符合空气动力的特殊风舌，以阻止在出口气流中形成漩涡。

2. 叶轮

前向多翼叶轮采用优质镀锌板进精密级进模冲压。卷边成型，合理的设计使风机的气动性能达到最佳状态。所有叶轮均按照 ANSI/AMCA-204 标准运用精确的电子平衡机进行两级动平衡测试，内控精度达到 G2.5 级或更优水平。

3. 轴套

叶轮与电机轴由轴套连接，轴套采用结构钢加工而成或锌合金经压铸后精加工而成，轴孔的公差、垂直度、同轴度允差均在 0.01mm 之内。

Construction of Product

SYP series fans are mainly consisted of housing , Wheel and hub.

1. Housing

The housing is made of imported quality galavanizing sheet. Its side plates take the shape according to the aerodynamic profile and are fixed with biting-scroll with tapping screws.

2. Wheel

Forwards curved radial Wheel is made of high-grade imported hot-galvanizing steel punched with precision mould and curled.The reasonable design of impeller makes the ventilator work in the optimum condition. The Wheel is fixed on the middle disk plate and on the end ring with riveting grippers. The Wheel has enough rigidity during continuous rotation with maximum power. All Wheels have passed by ANSI/AMCA-204 balance test according to the Company Standard which is higher level than National Standard.

3. Hub

The connection of Wheel with electric motor shaft is guaranteed by the hub which is made of constructional steeldor die cast zinc alloy followed by precision processing. The permissible tolerance of hole diameter, per- pendicularity and coaxality are all kept within 0.01 mm.

说明

- 1). 本样本中的风机性能是配用标准电机的测试结果，用户可根据要求，自行选用电机进行匹配以达到性能变化的需求。
- 2). 风机在运输、装卸过程中应小心轻放，严禁撞击挤压，严禁堆放于潮湿或有腐蚀性的场合。
- 3). 风机安装前应用手拨动叶轮，检查是否有过紧或碰撞现象，确认没有这些现象时方可进行试运转。
- 4). 风机安装后应检查机壳和其他壳体内部，不应遗留的工具和杂物。
- 5). 风机正式运转前，需检查叶轮的转向是否符合侧板上的转向标记。
- 6). 订货时需注明风机型号、配用电机型号、风机的风量、风压等参数。

Instructions

- 1) Matching electric motor power of ventilation denotes internal power plus safety coefficient of electric motor capacity in special operating condition, it does denote the power required during full opening of air outlet. Therefore no-load running of fan without any applied resistance is strictly prohibited in order to avoid burning out of the motor caused by its operation at over rated power.
- 2) Special care should be taken during transportation, load and unload.
The fan is limited for use in areas where air substances are non-corrosive, non-toxics and non-erosive.
- 3) Prior to installing fan, rotate the Wheel by hand or stick to check for tightness or impact. If it is ensured that there is no tightness and impact, then the installation can be carried out.
- 4) After installing, the fan, the scroll of fan should be inspected, there should not be tools and extra matters remained in the casing.
- 5) Prior to official operation of ventilation, it is necessary to check the rotating direction of both motor and fan for their coordination.
- 6) During ordering it is necessary to state the type of fan, speed, air volume, air pressure, direction of air outlet, rotating direction, type of electric motor and its specifications.

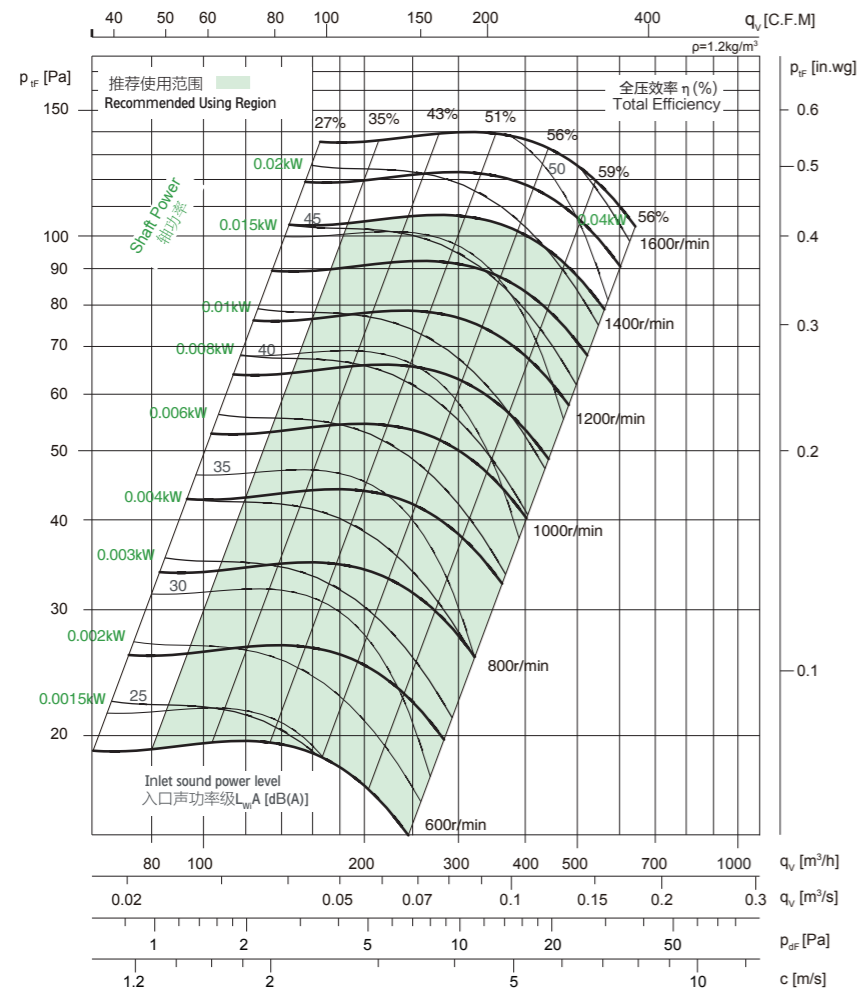
技术参数 Technical Data

Wheel diameter	叶轮直径	D = 130 mm	Fan weight	风机质量	m = 0.95 kg
Moment of inertia	转动惯量	J = 0.001 kg·m ²	Speed limit	极限转速	n _{max} = 1400 r/min

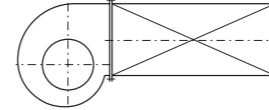
性能曲线 Performance Curves

Performance certified is for installation type B: free inlet, ducted outlet. Power rating (kW) does not include transmission losses. Performance ratings do not include the effects of appurtenances (accessories). The A-weighted sound ratings shown have been calculated per AMCA International Standard 301. Values shown are for inlet L_{WA} sound power levels for installation type B: free inlet, ducted outlet.

经认证的性能是B类安装:自由入口,管道出口。功率额定值(kW)不包括传输损失。各项性能额定值不包括附属物(附件)的影响。所示A加权声音性能额定值已按AMCA International标准301计算。所示值为安装类型B:自由入口,管道出口的声功率级(入口L_{WA})。



Measured in installation B according to AMCA 211:



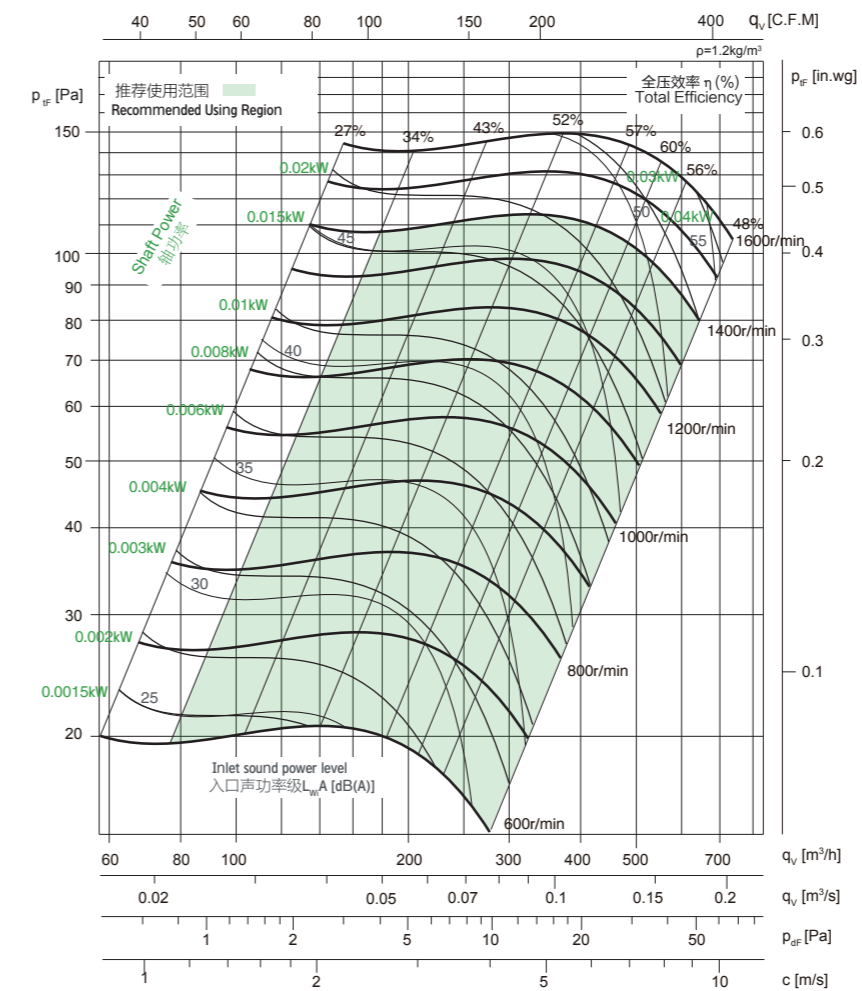
技术参数 Technical Data

Wheel diameter	叶轮直径	D = 130 mm	Fan weight	风机质量	m = 0.96 kg
Moment of inertia	转动惯量	J = 0.001 kg·m ²	Speed limit	极限转速	n _{max} = 1400 r/min

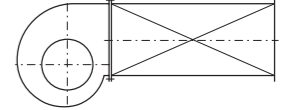
性能曲线 Performance Curves

Performance certified is for installation type B: free inlet, ducted outlet. Power rating (kW) does not include transmission losses. Performance ratings do not include the effects of appurtenances (accessories). The A-weighted sound ratings shown have been calculated per AMCA International Standard 301. Values shown are for inlet L_{WA} sound power levels for installation type B: free inlet, ducted outlet.

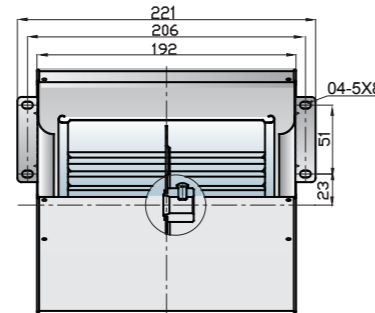
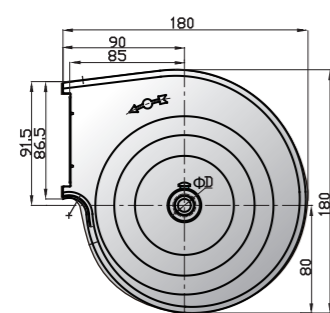
经认证的性能是B类安装:自由入口,管道出口。功率额定值(kW)不包括传输损失。各项性能额定值不包括附属物(附件)的影响。所示A加权声音性能额定值已按AMCA International标准301计算。所示值为安装类型B:自由入口,管道出口的声功率级(入口L_{WA})。



Measured in installation B according to AMCA 211:

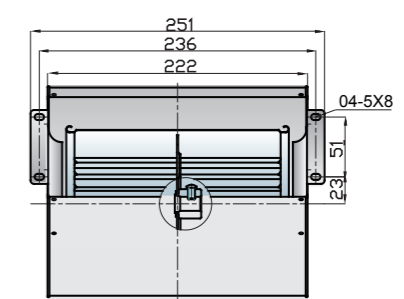
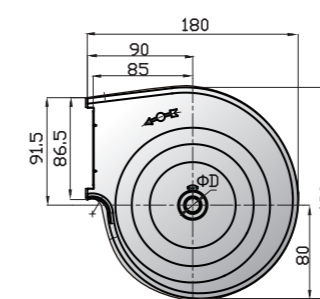


外形尺寸 Overall Size



ΦD Φ12 Φ14

外形尺寸 Overall Size



ΦD Φ12 Φ14

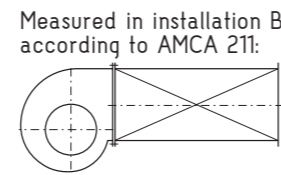
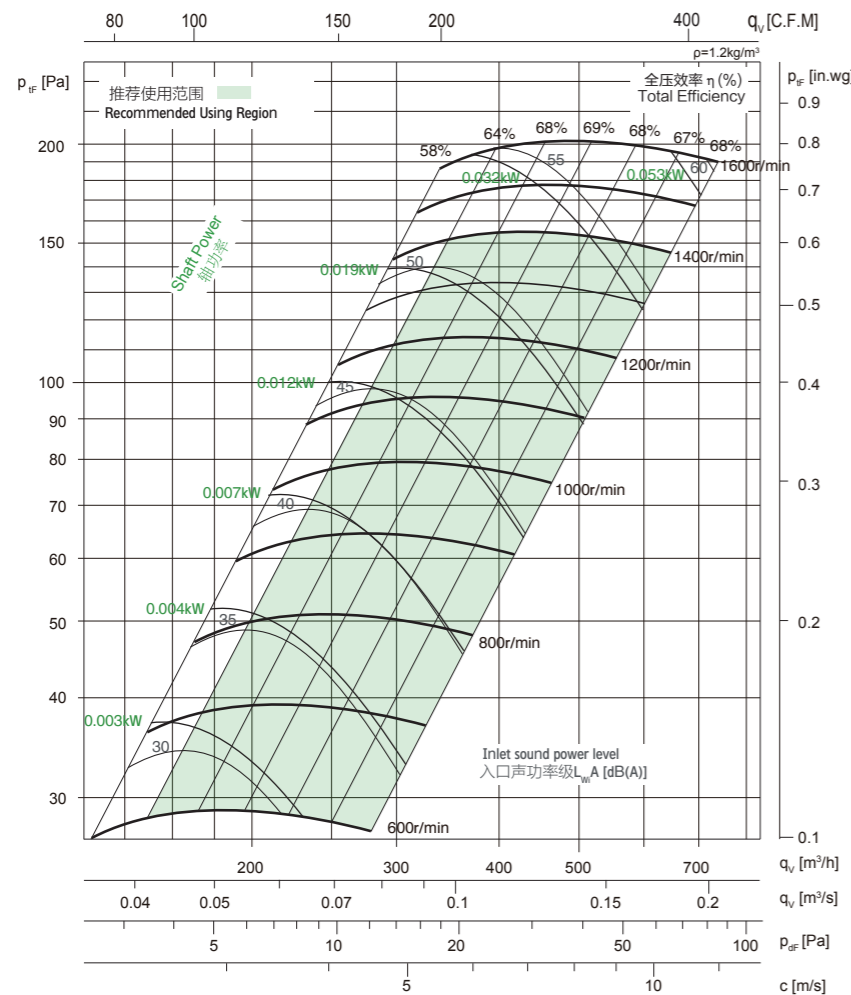
技术参数 Technical Data

Wheel diameter	叶轮直径	D = 145 mm	Fan weight	风机质量	m = 0.94 kg
Moment of inertia	转动惯量	J = 0.001 kg·m ²	Speed limit	极限转速	n _{max} = 1400 r/min

性能曲线 Performance Curves

Performance certified is for installation type B: free inlet, ducted outlet. Power rating (kW) does not include transmission losses. Performance ratings do not include the effects of appurtenances (accessories). The A-weighted sound ratings shown have been calculated per AMCA International Standard 301. Values shown are for inlet L_{WA} sound power levels for installation type B: free inlet, ducted outlet.

经认证的性能是B类安装:自由入口,管道出口。功率额定值(kW)不包括传输损失。各项性能额定值不包括附属物(附件)的影响。所示A加权声音性能额定值已按AMCA International标准301计算。所示值为安装类型B:自由入口,管道出口的声功率级(入口L_{WA})。



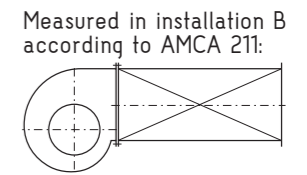
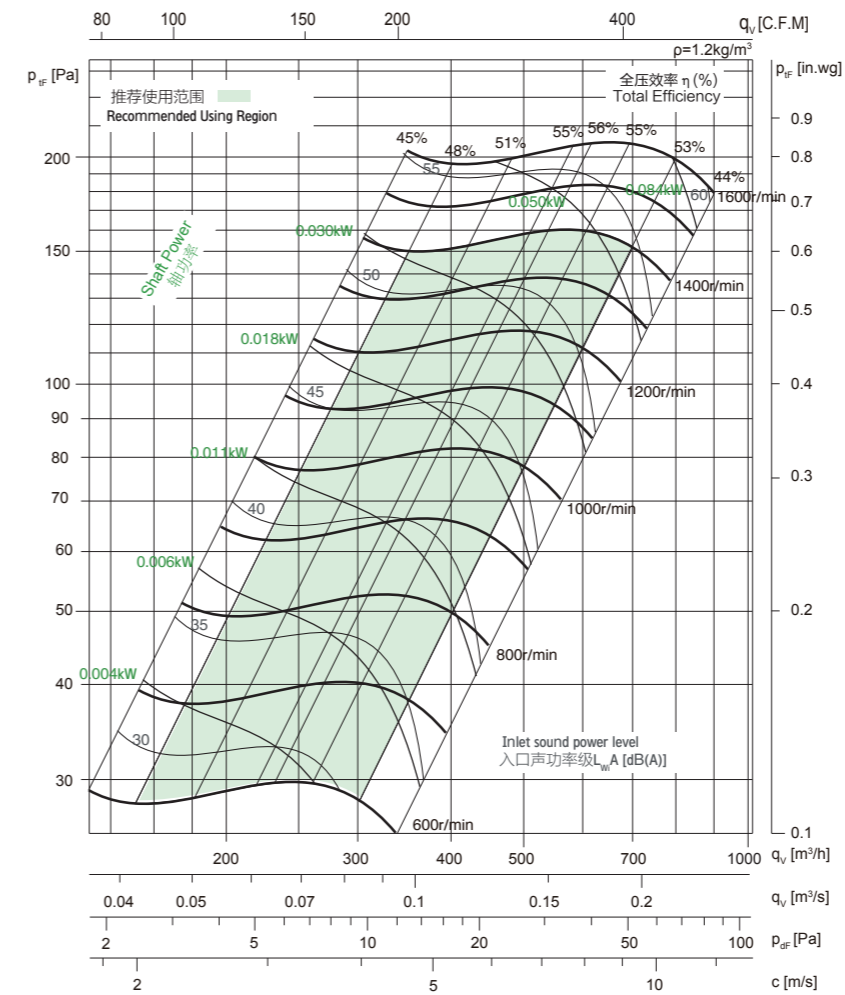
技术参数 Technical Data

Wheel diameter	叶轮直径	D = 145 mm	Fan weight	风机质量	m = 1.07 kg
Moment of inertia	转动惯量	J = 0.001 kg·m ²	Speed limit	极限转速	n _{max} = 1400 r/min

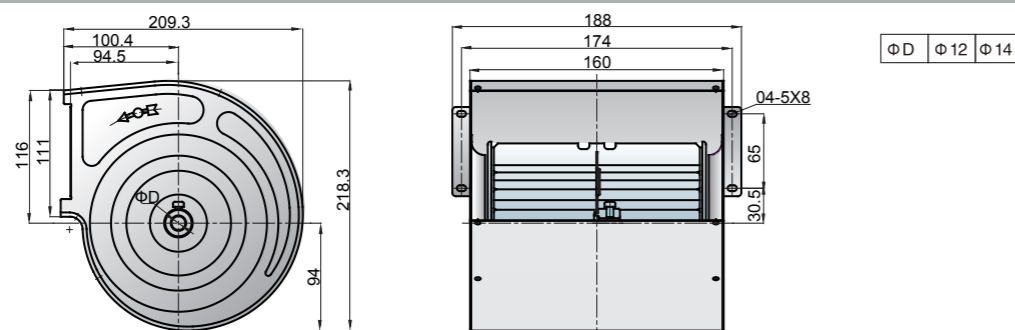
性能曲线 Performance Curves

Performance certified is for installation type B: free inlet, ducted outlet. Power rating (kW) does not include transmission losses. Performance ratings do not include the effects of appurtenances (accessories). The A-weighted sound ratings shown have been calculated per AMCA International Standard 301. Values shown are for inlet L_{WA} sound power levels for installation type B: free inlet, ducted outlet.

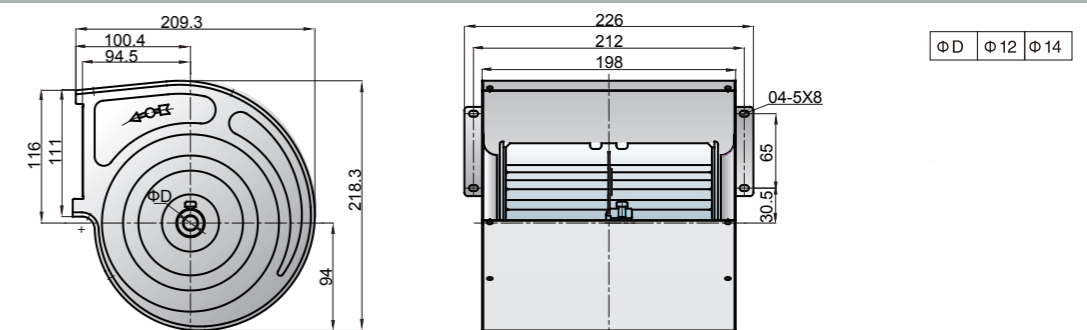
经认证的性能是B类安装:自由入口,管道出口。功率额定值(kW)不包括传输损失。各项性能额定值不包括附属物(附件)的影响。所示A加权声音性能额定值已按AMCA International标准301计算。所示值为安装类型B:自由入口,管道出口的声功率级(入口L_{WA})。



外形尺寸 Overall Size



外形尺寸 Overall Size



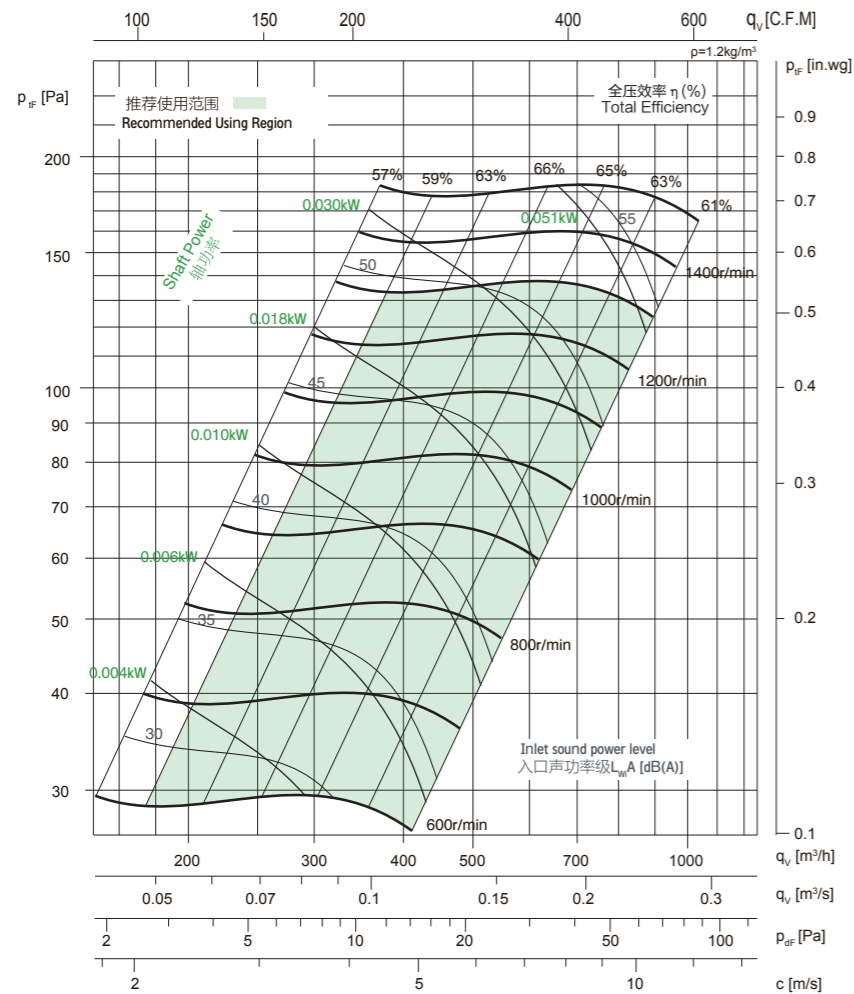
技术参数 Technical Data

Wheel diameter	叶轮直径	D = 145 mm	Fan weight	风机质量	m = 1.01 kg
Moment of inertia	转动惯量	J = 0.002 kg·m ²	Speed limit	极限转速	n _{max} = 1300 r/min

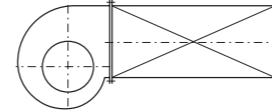
性能曲线 Performance Curves

Performance certified is for installation type B: free inlet, ducted outlet. Power rating (kW) does not include transmission losses. Performance ratings do not include the effects of appurtenances (accessories). The A-weighted sound ratings shown have been calculated per AMCA International Standard 301. Values shown are for inlet L_{WA} sound power levels for installation type B: free inlet, ducted outlet.

经认证的性能是B类安装:自由入口,管道出口。功率额定值(kW)不包括传输损失。各项性能额定值不包括附属物(附件)的影响。所示A加权声音性能额定值已按AMCA International标准301计算。所示值为安装类型B:自由入口,管道出口的声功率级(入口L_{WA})。



Measured in installation B according to AMCA 211:



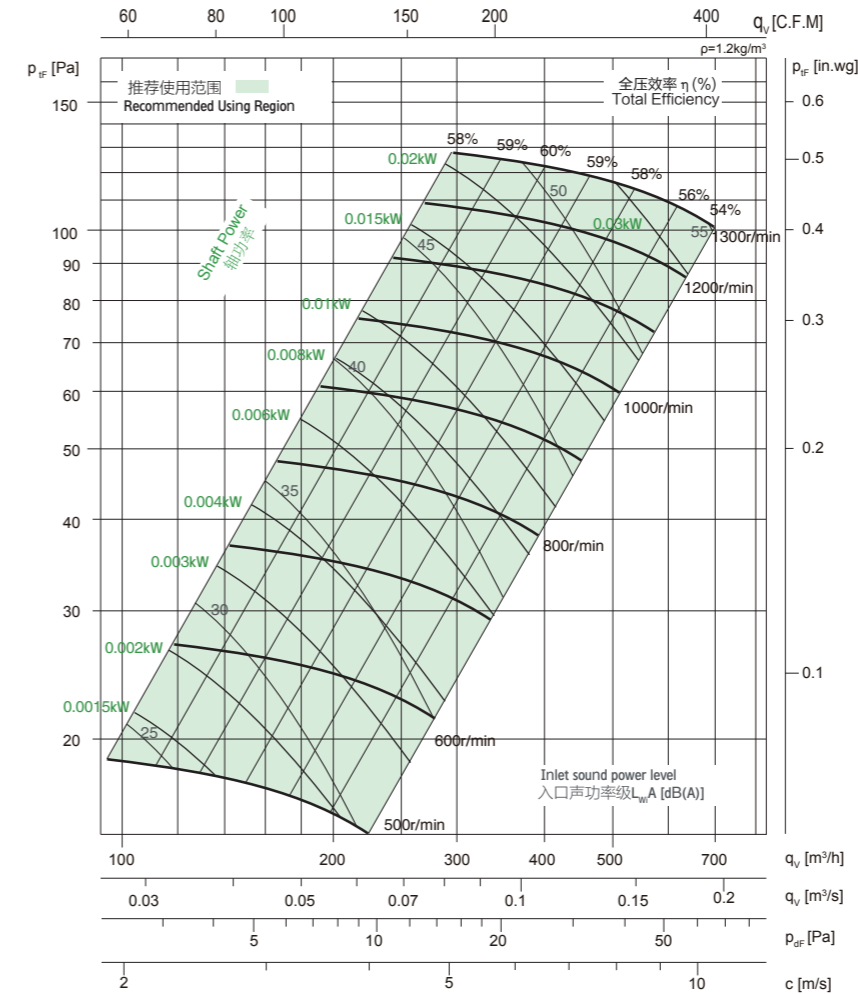
技术参数 Technical Data

Wheel diameter	叶轮直径	D = 150 mm	Fan weight	风机质量	m = 1.07 kg
Moment of inertia	转动惯量	J = 0.002 kg·m ²	Speed limit	极限转速	n _{max} = 1300 r/min

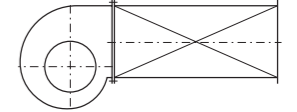
性能曲线 Performance Curves

Performance certified is for installation type B: free inlet, ducted outlet. Power rating (kW) does not include transmission losses. Performance ratings do not include the effects of appurtenances (accessories). The A-weighted sound ratings shown have been calculated per AMCA International Standard 301. Values shown are for inlet L_{WA} sound power levels for installation type B: free inlet, ducted outlet.

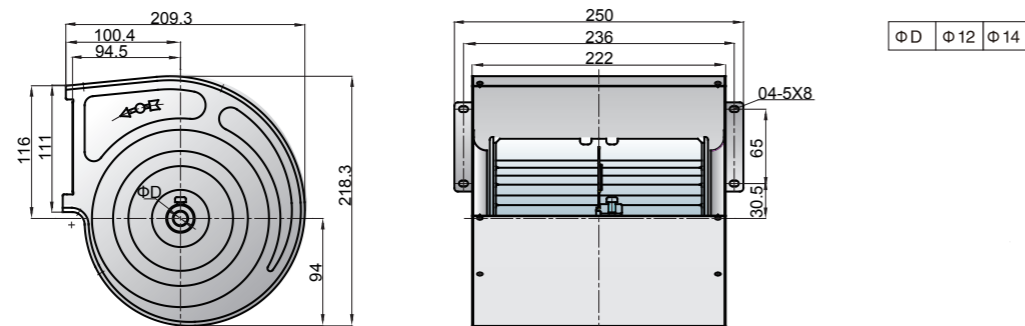
经认证的性能是B类安装:自由入口,管道出口。功率额定值(kW)不包括传输损失。各项性能额定值不包括附属物(附件)的影响。所示A加权声音性能额定值已按AMCA International标准301计算。所示值为安装类型B:自由入口,管道出口的声功率级(入口L_{WA})。



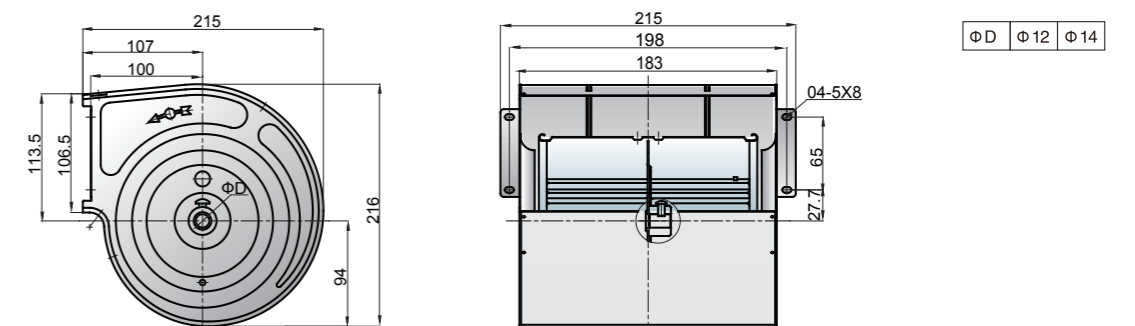
Measured in installation B according to AMCA 211:



外形尺寸 Overall Size



外形尺寸 Overall Size



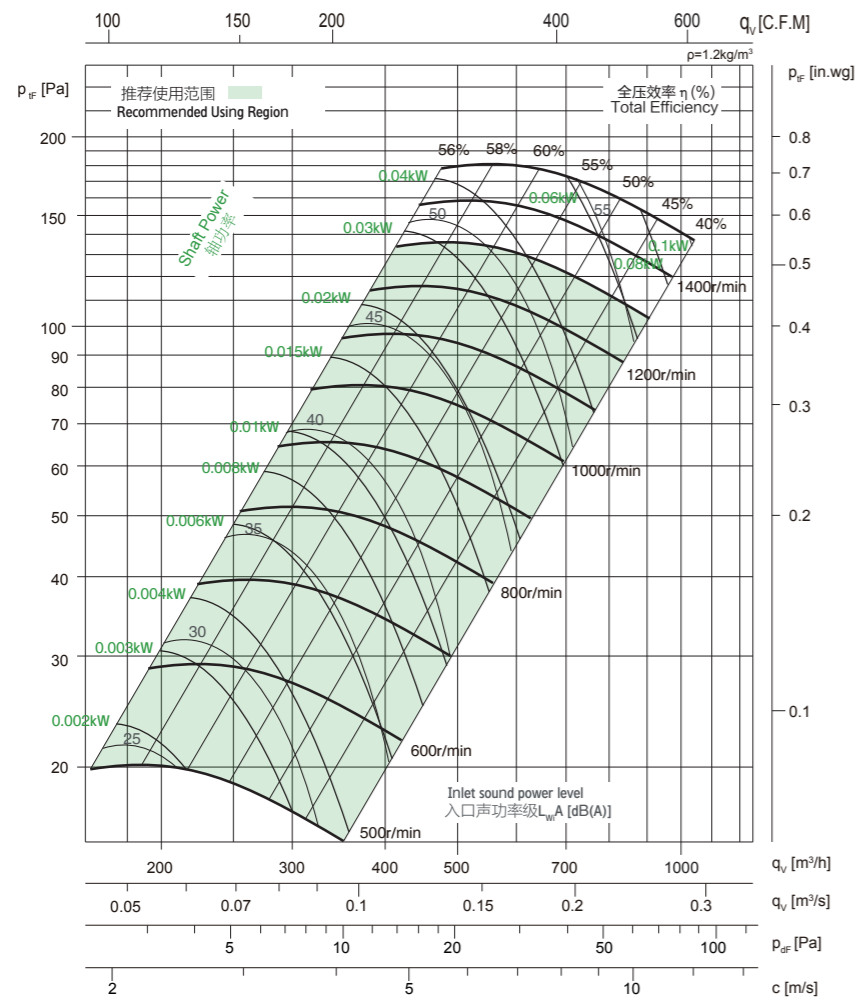
技术参数 Technical Data

Wheel diameter	叶轮直径	D = 150 mm	Fan weight	风机质量	m = 1.30 kg
Moment of inertia	转动惯量	J = 0.002 kg m ²	Speed limit	极限转速	n _{max} = 1300 r/min

性能曲线 Performance Curves

Performance certified is for installation type B: free inlet, ducted outlet. Power rating (kW) does not include transmission losses. Performance ratings do not include the effects of appurtenances (accessories). The A-weighted sound ratings shown have been calculated per AMCA International Standard 301. Values shown are for inlet L_{WA} sound power levels for installation type B: free inlet, ducted outlet.

经认证的性能是B类安装:自由入口,管道出口。功率额定值(kW)不包括传输损失。各项性能额定值不包括附属物(附件)的影响。所示A加权声音性能额定值已按AMCA International标准301计算。所示值为安装类型B:自由入口,管道出口的声功率级(入口L_{WA})。



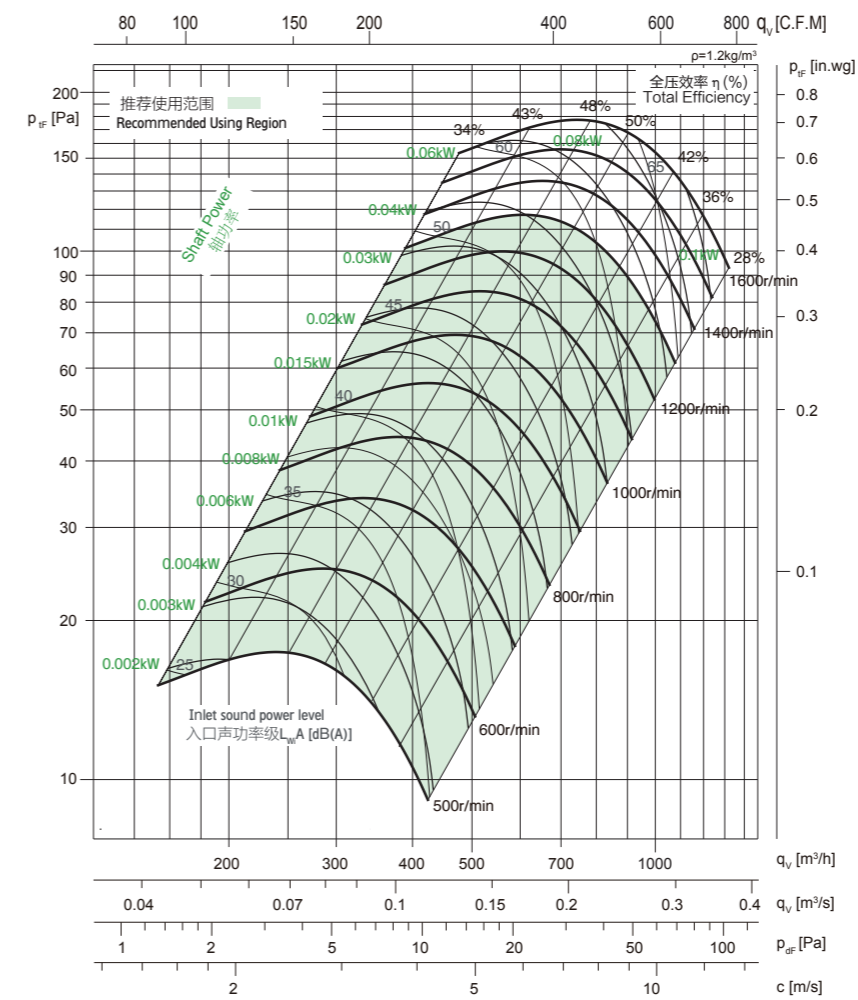
技术参数 Technical Data

Wheel diameter	叶轮直径	D = 150 mm	Fan weight	风机质量	m = 1.43 kg
Moment of inertia	转动惯量	J = 0.003 kg m ²	Speed limit	极限转速	n _{max} = 1300 r/min

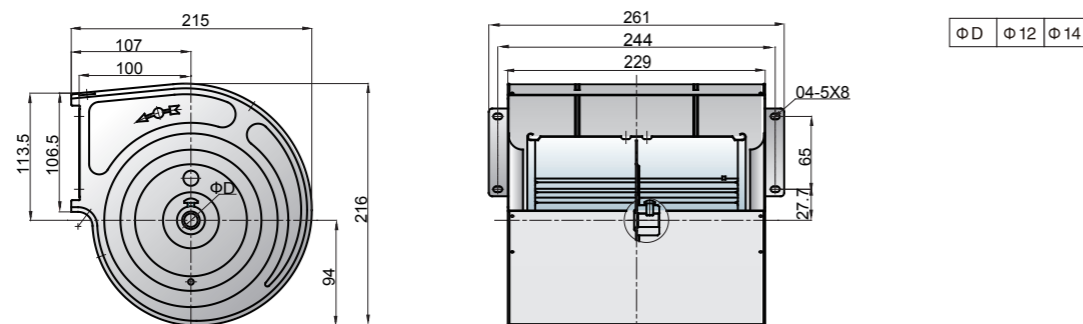
性能曲线 Performance Curves

Performance certified is for installation type B: free inlet, ducted outlet. Power rating (kW) does not include transmission losses. Performance ratings do not include the effects of appurtenances (accessories). The A-weighted sound ratings shown have been calculated per AMCA International Standard 301. Values shown are for inlet L_{WA} sound power levels for installation type B: free inlet, ducted outlet.

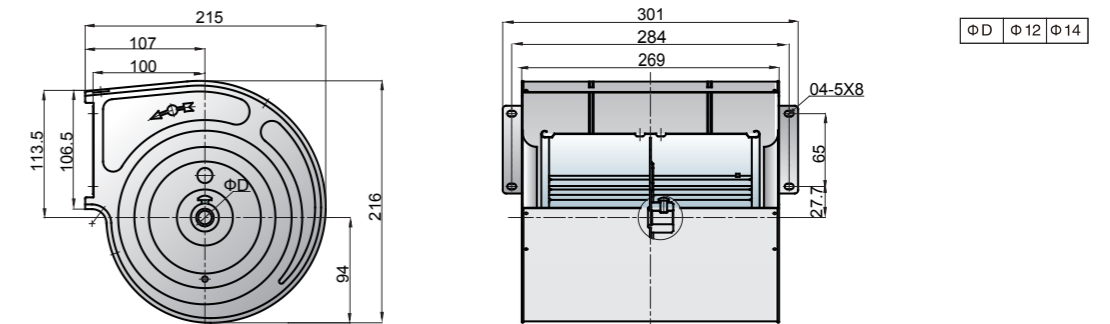
经认证的性能是B类安装:自由入口,管道出口。功率额定值(kW)不包括传输损失。各项性能额定值不包括附属物(附件)的影响。所示A加权声音性能额定值已按AMCA International标准301计算。所示值为安装类型B:自由入口,管道出口的声功率级(入口L_{WA})。



外形尺寸 Overall Size



外形尺寸 Overall Size



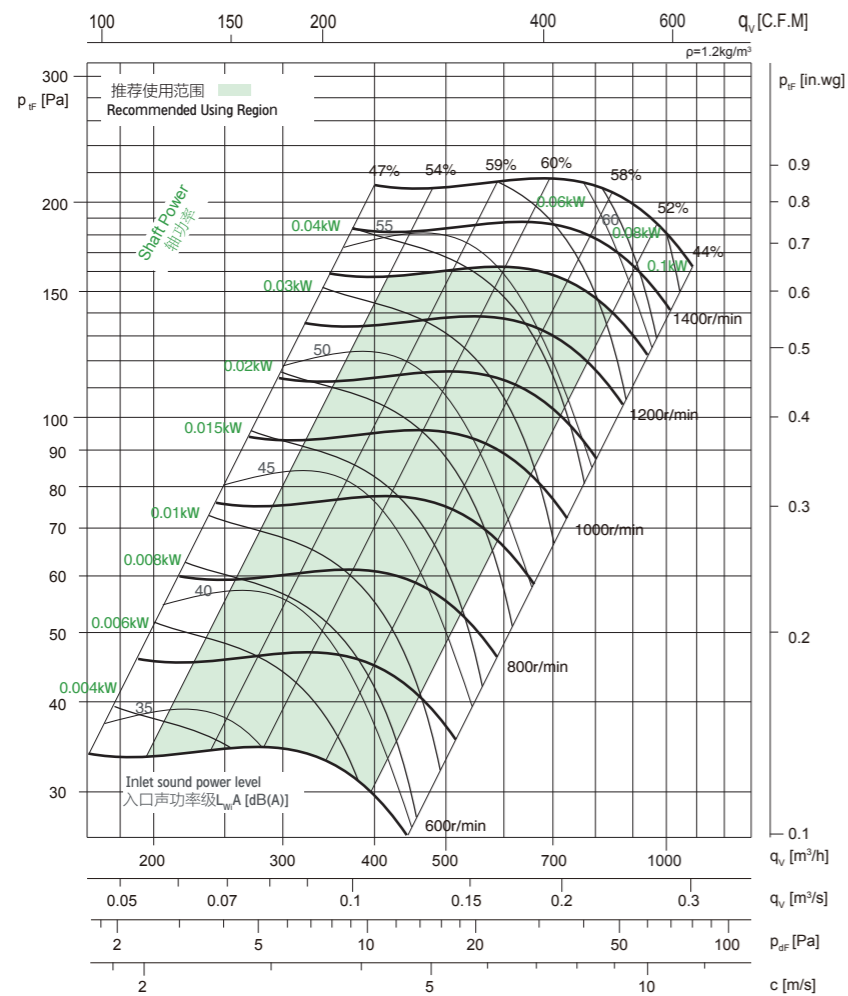
技术参数 Technical Data

Wheel diameter	叶轮直径	D = 160 mm	Fan weight	风机质量	m = 1.27 kg
Moment of inertia	转动惯量	J = 0.003 kg·m ²	Speed limit	极限转速	n _{max} = 1300 r/min

性能曲线 Performance Curves

Performance certified is for installation type B: free inlet, ducted outlet. Power rating (kW) does not include transmission losses. Performance ratings do not include the effects of appurtenances (accessories). The A-weighted sound ratings shown have been calculated per AMCA International Standard 301. Values shown are for inlet L_{WA} sound power levels for installation type B: free inlet, ducted outlet.

经认证的性能是B类安装:自由入口,管道出口。功率额定值(kW)不包括传输损失。各项性能额定值不包括附属物(附件)的影响。所示A加权声音性能额定值已按AMCA International标准301计算。所示值为安装类型B:自由入口,管道出口的声功率级(入口L_{WA})。



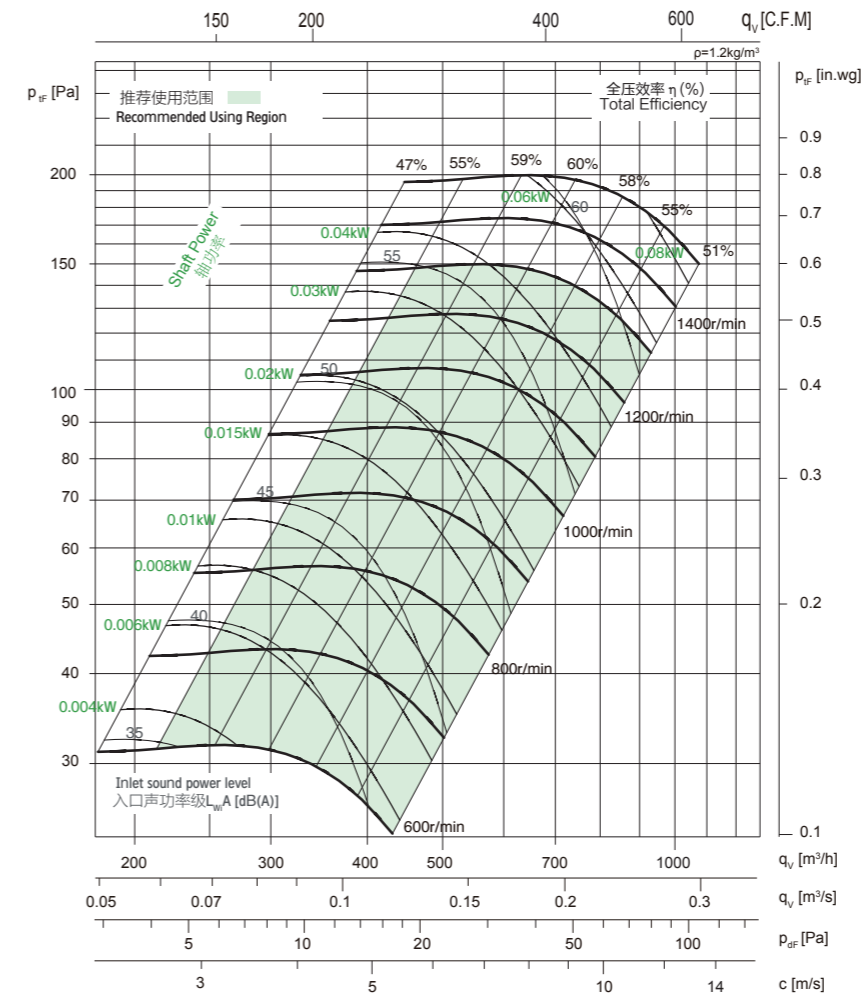
技术参数 Technical Data

Wheel diameter	叶轮直径	D = 160 mm	Fan weight	风机质量	m = 1.38 kg
Moment of inertia	转动惯量	J = 0.003 kg·m ²	Speed limit	极限转速	n _{max} = 1300 r/min

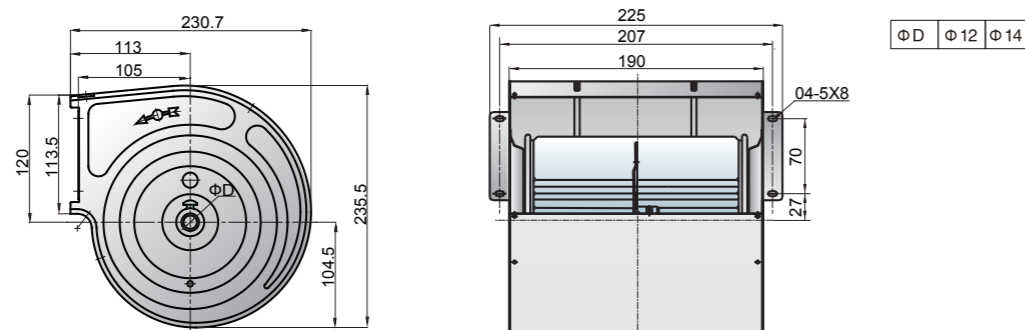
性能曲线 Performance Curves

Performance certified is for installation type B: free inlet, ducted outlet. Power rating (kW) does not include transmission losses. Performance ratings do not include the effects of appurtenances (accessories). The A-weighted sound ratings shown have been calculated per AMCA International Standard 301. Values shown are for inlet L_{WA} sound power levels for installation type B: free inlet, ducted outlet.

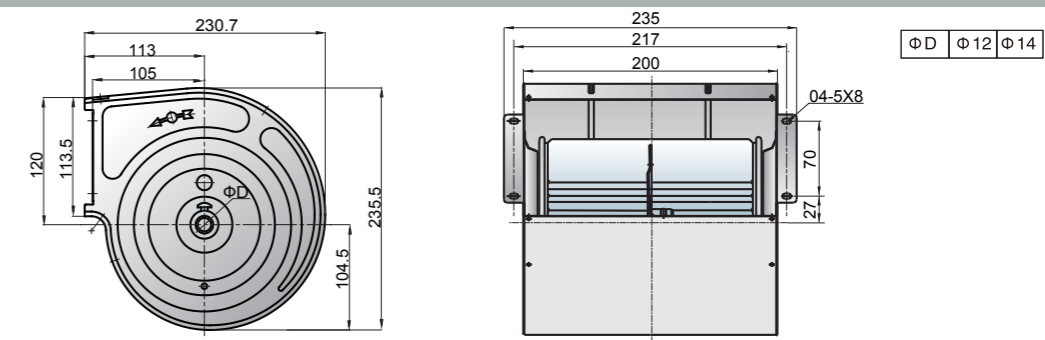
经认证的性能是B类安装:自由入口,管道出口。功率额定值(kW)不包括传输损失。各项性能额定值不包括附属物(附件)的影响。所示A加权声音性能额定值已按AMCA International标准301计算。所示值为安装类型B:自由入口,管道出口的声功率级(入口L_{WA})。



外形尺寸 Overall Size



外形尺寸 Overall Size



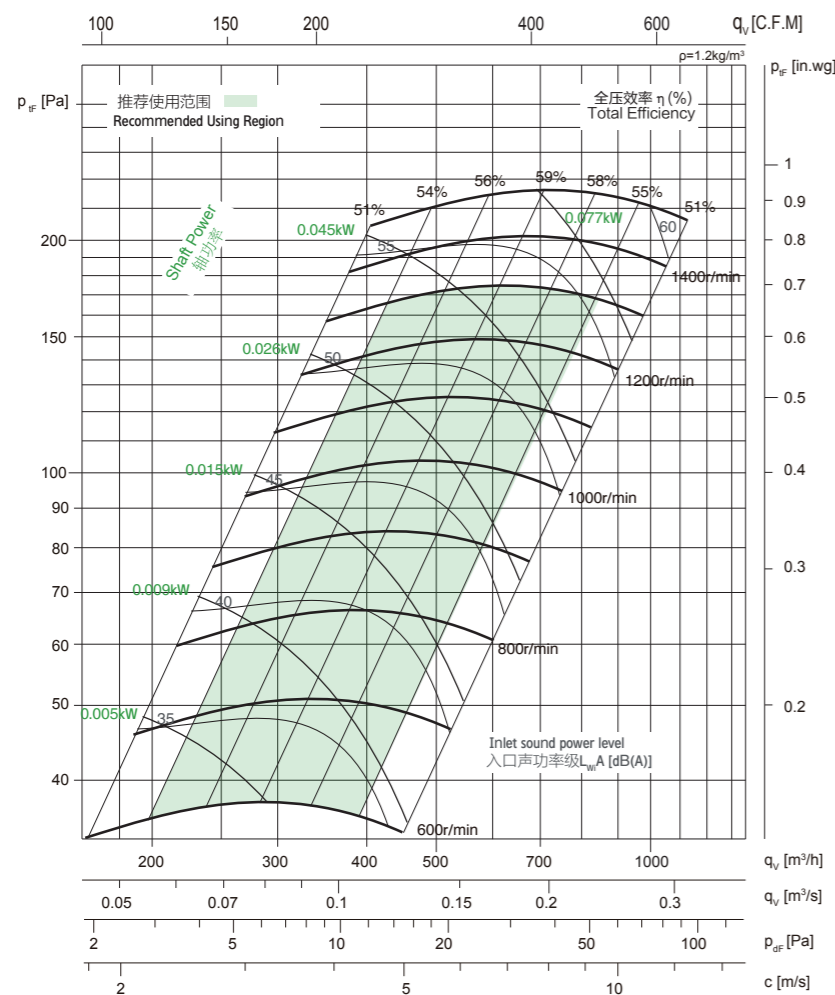
技术参数 Technical Data

Wheel diameter	叶轮直径	D = 160 mm	Fan weight	风机质量	m = 1.46 kg
Moment of inertia	转动惯量	J = 0.004 kg·m ²	Speed limit	极限转速	n _{max} = 1300 r/min

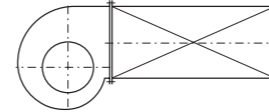
性能曲线 Performance Curves

Performance certified is for installation type B: free inlet, ducted outlet. Power rating (kW) does not include transmission losses. Performance ratings do not include the effects of appurtenances (accessories). The A-weighted sound ratings shown have been calculated per AMCA International Standard 301. Values shown are for inlet L_{WA} sound power levels for installation type B: free inlet, ducted outlet.

经认证的性能是B类安装:自由入口,管道出口。功率额定值(kW)不包括传输损失。各项性能额定值不包括附属物(附件)的影响。所示A加权声音性能额定值已按AMCA International标准301计算。所示值为安装类型B:自由入口,管道出口的声功率级(入口L_{WA})。



Measured in installation B according to AMCA 211:



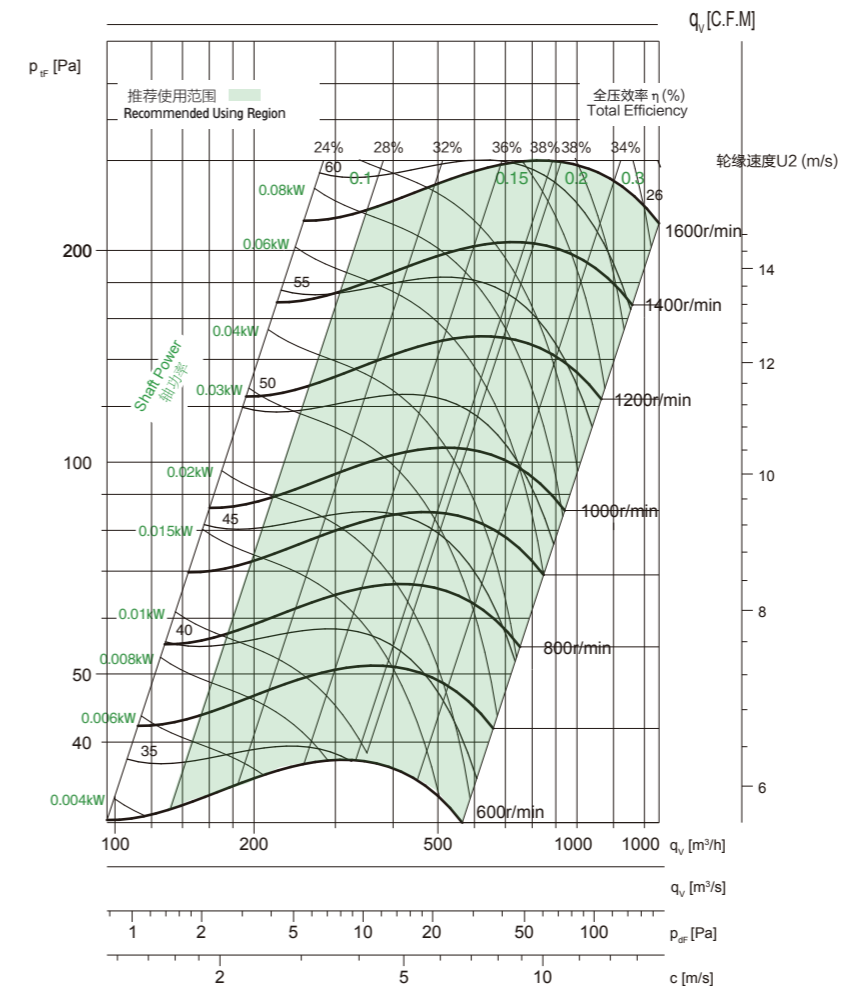
技术参数 Technical Data

Wheel diameter	叶轮直径	D = 180 mm	Fan weight	风机质量	m = 1.52 kg
Moment of inertia	转动惯量	J = 0.01 kg·m ²	Speed limit	极限转速	n _{max} = 1400 r/min

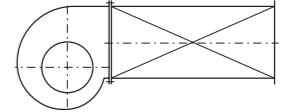
性能曲线 Performance Curves

Performance certified is for installation type B: free inlet, ducted outlet. Power rating (kW) does not include transmission losses. Performance ratings do not include the effects of appurtenances (accessories). The A-weighted sound ratings shown have been calculated per AMCA International Standard 301. Values shown are for inlet L_{WA} sound power levels for installation type B: free inlet, ducted outlet.

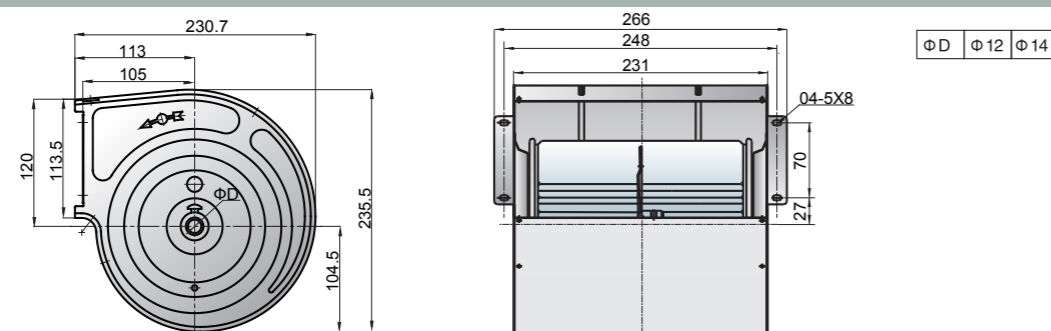
经认证的性能是B类安装:自由入口,管道出口。功率额定值(kW)不包括传输损失。各项性能额定值不包括附属物(附件)的影响。所示A加权声音性能额定值已按AMCA International标准301计算。所示值为安装类型B:自由入口,管道出口的声功率级(入口L_{WA})。



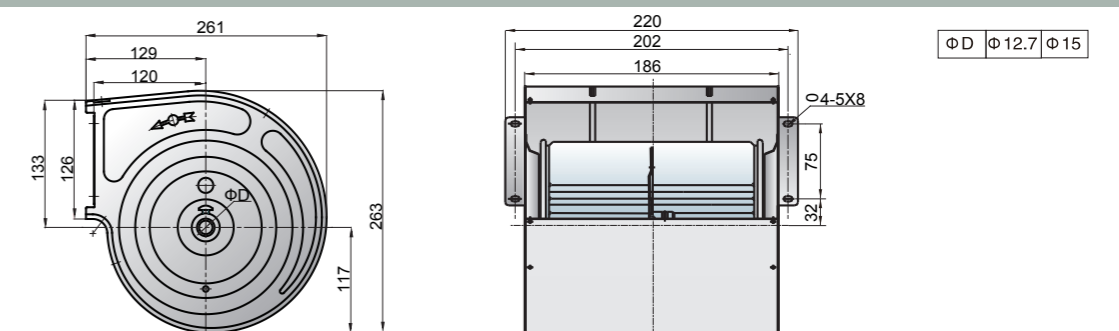
Measured in installation B according to AMCA 211:



外形尺寸 Overall Size



外形尺寸 Overall Size



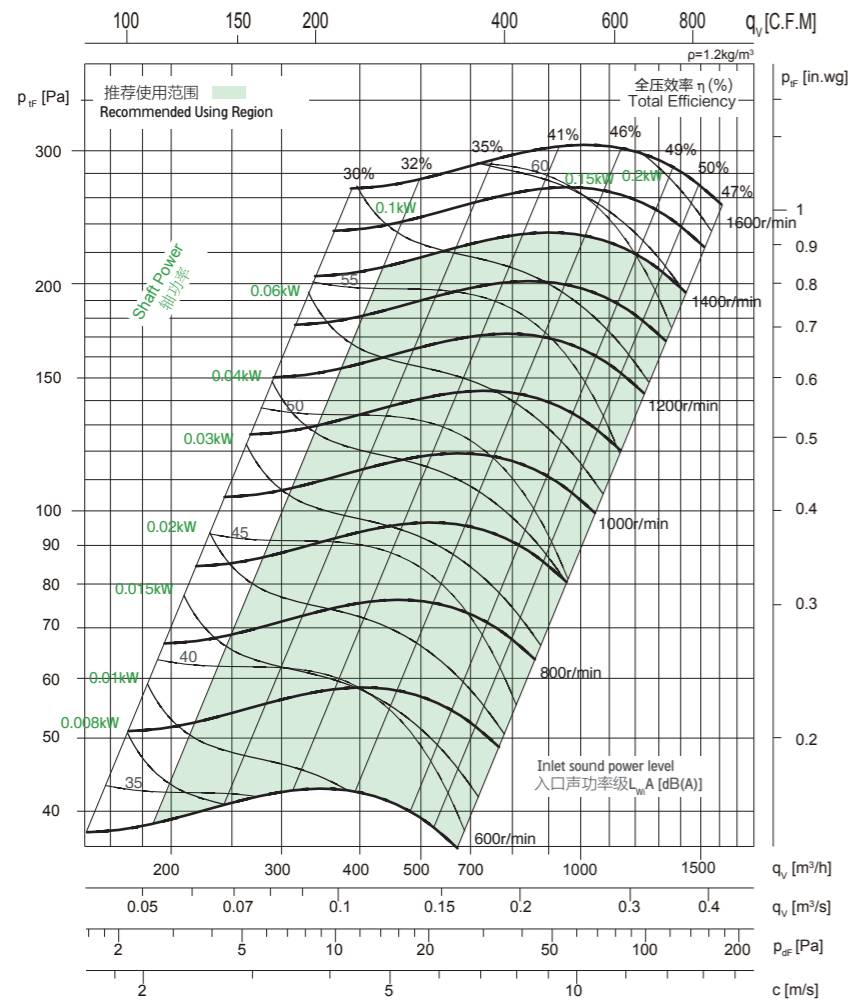
技术参数 Technical Data

Wheel diameter	叶轮直径	D = 180 mm	Fan weight	风机质量	m = 1.65 kg
Moment of inertia	转动惯量	J = 0.006 kg·m ²	Speed limit	极限转速	n _{max} = 1400 r/min

性能曲线 Performance Curves

Performance certified is for installation type B: free inlet, ducted outlet. Power rating (kW) does not include transmission losses. Performance ratings do not include the effects of appurtenances (accessories). The A-weighted sound ratings shown have been calculated per AMCA International Standard 301. Values shown are for inlet L_{WA} sound power levels for installation type B: free inlet, ducted outlet.

经认证的性能是B类安装:自由入口,管道出口。功率额定值(kW)不包括传输损失。各项性能额定值不包括附属物(附件)的影响。所示A加权声音性能额定值已按AMCA International标准301计算。所示值为安装类型B:自由入口,管道出口的声功率级(入口L_{WA})。



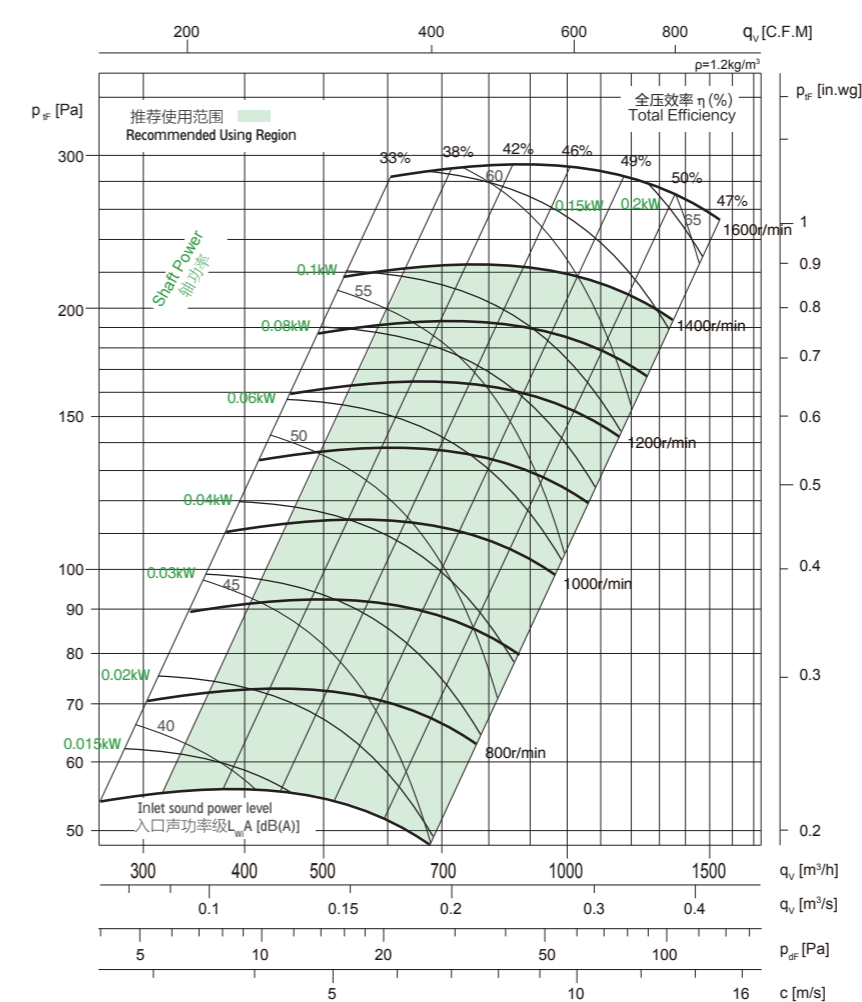
技术参数 Technical Data

Wheel diameter	叶轮直径	D = 180 mm	Fan weight	风机质量	m = 1.76 kg
Moment of inertia	转动惯量	J = 0.006 kg·m ²	Speed limit	极限转速	n _{max} = 1400 r/min

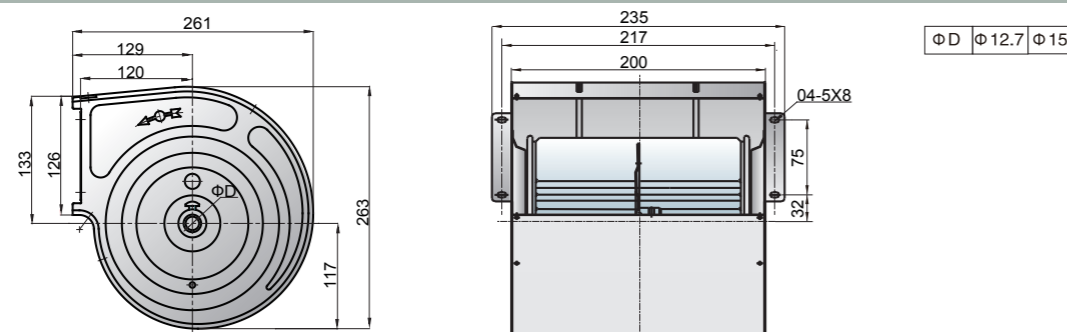
性能曲线 Performance Curves

Performance certified is for installation type B: free inlet, ducted outlet. Power rating (kW) does not include transmission losses. Performance ratings do not include the effects of appurtenances (accessories). The A-weighted sound ratings shown have been calculated per AMCA International Standard 301. Values shown are for inlet L_{WA} sound power levels for installation type B: free inlet, ducted outlet.

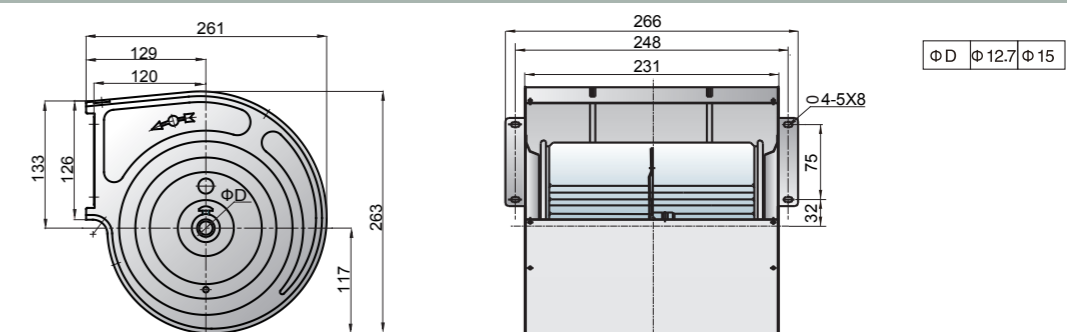
经认证的性能是B类安装:自由入口,管道出口。功率额定值(kW)不包括传输损失。各项性能额定值不包括附属物(附件)的影响。所示A加权声音性能额定值已按AMCA International标准301计算。所示值为安装类型B:自由入口,管道出口的声功率级(入口L_{WA})。



外形尺寸 Overall Size



外形尺寸 Overall Size



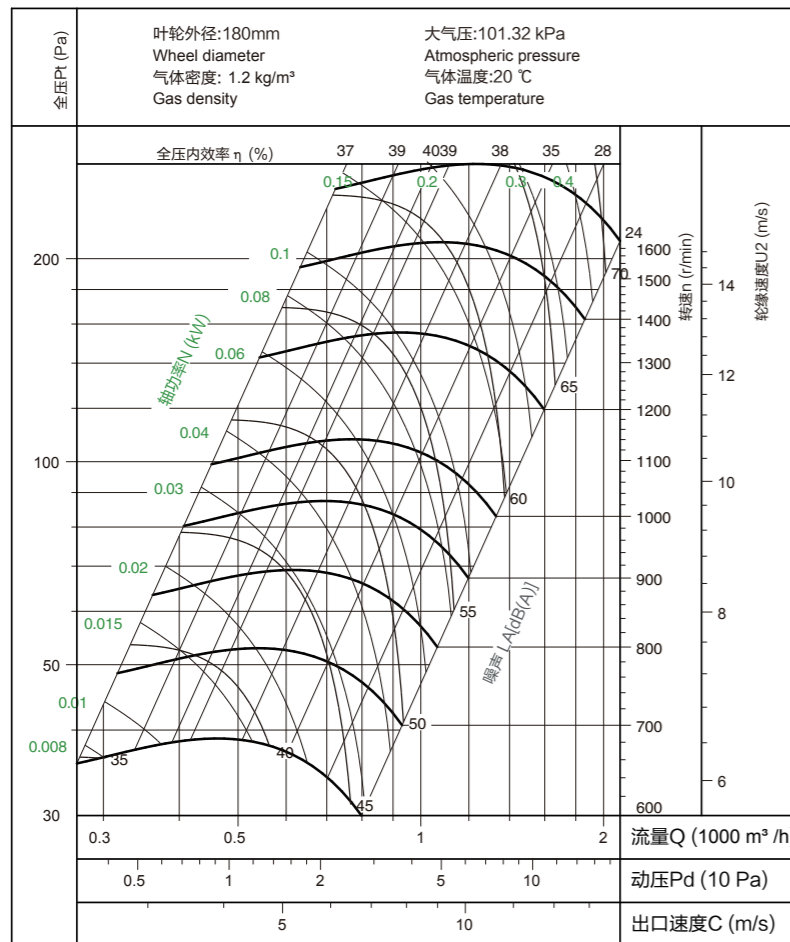
技术参数 Technical Data

Wheel diameter	叶轮直径	D = 180 mm	Fan weight	风机质量	m = 1.87 kg
Moment of inertia	转动惯量	J = 0.01 kg·m ²	Speed limit	极限转速	n _{max} = 1400 r/min

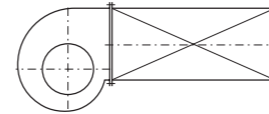
性能曲线 Performance Curves

Performance certified is for installation type B: free inlet, ducted outlet. Power rating (kW) does not include transmission losses. Performance ratings do not include the effects of appurtenances (accessories). The A-weighted sound ratings shown have been calculated per AMCA International Standard 301. Values shown are for inlet L_{WA} sound power levels for installation type B: free inlet, ducted outlet.

经认证的性能是B类安装:自由入口,管道出口。功率额定值(kW)不包括传输损失。各项性能额定值不包括附属物(附件)的影响。所示A加权声音性能额定值已按AMCA International标准301计算。所示值为安装类型B:自由入口,管道出口的声功率级(入口L_{WA})。



Measured in installation B according to AMCA 211:



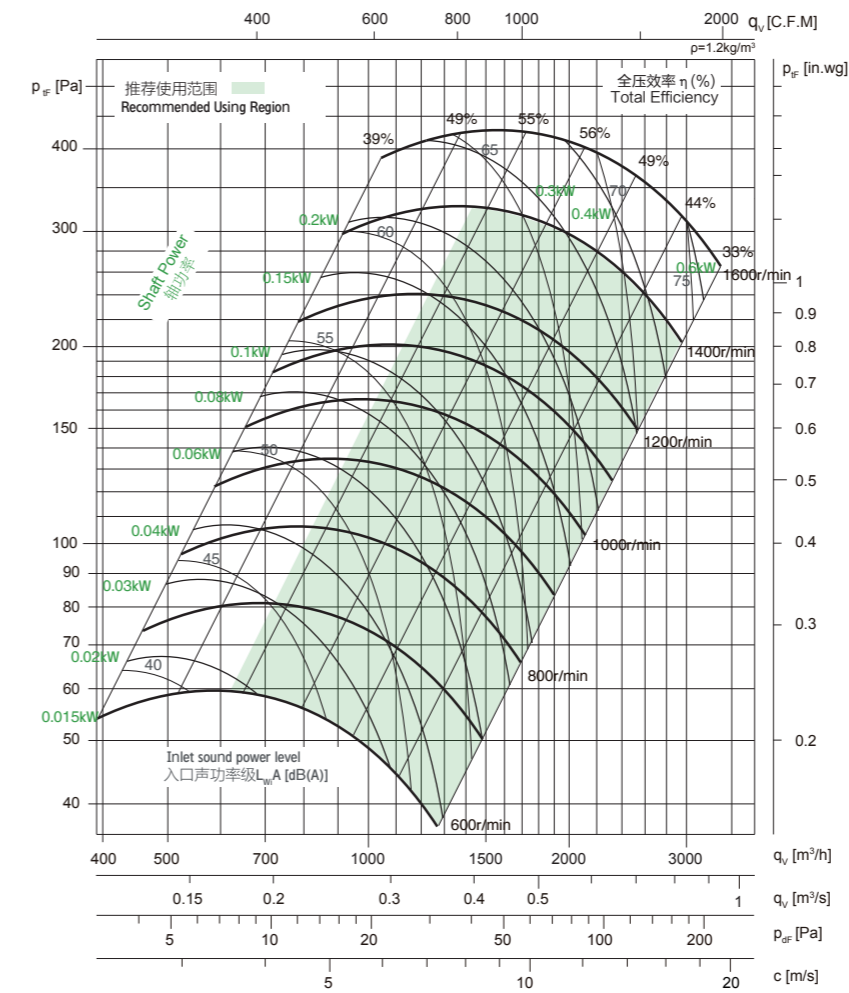
技术参数 Technical Data

Wheel diameter	叶轮直径	D = 200 mm	Fan weight	风机质量	m = 3.3 kg
Moment of inertia	转动惯量	J = 0.01 kg·m ²	Speed limit	极限转速	n _{max} = 1400 r/min

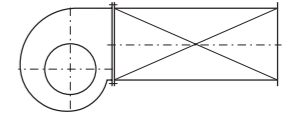
性能曲线 Performance Curves

Performance certified is for installation type B: free inlet, ducted outlet. Power rating (kW) does not include transmission losses. Performance ratings do not include the effects of appurtenances (accessories). The A-weighted sound ratings shown have been calculated per AMCA International Standard 301. Values shown are for inlet L_{WA} sound power levels for installation type B: free inlet, ducted outlet.

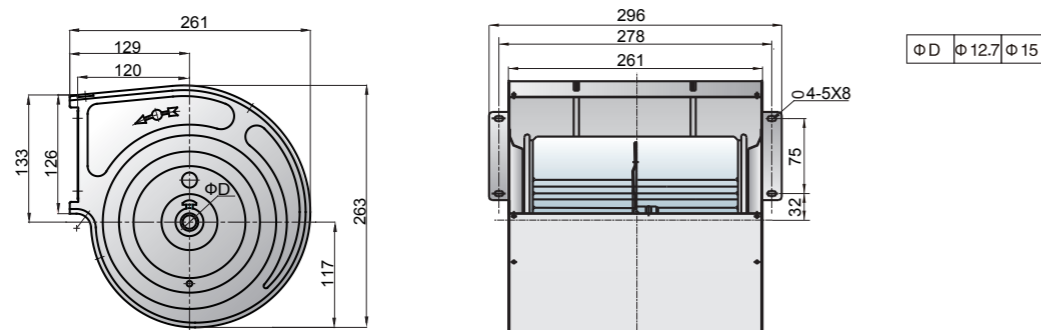
经认证的性能是B类安装:自由入口,管道出口。功率额定值(kW)不包括传输损失。各项性能额定值不包括附属物(附件)的影响。所示A加权声音性能额定值已按AMCA International标准301计算。所示值为安装类型B:自由入口,管道出口的声功率级(入口L_{WA})。



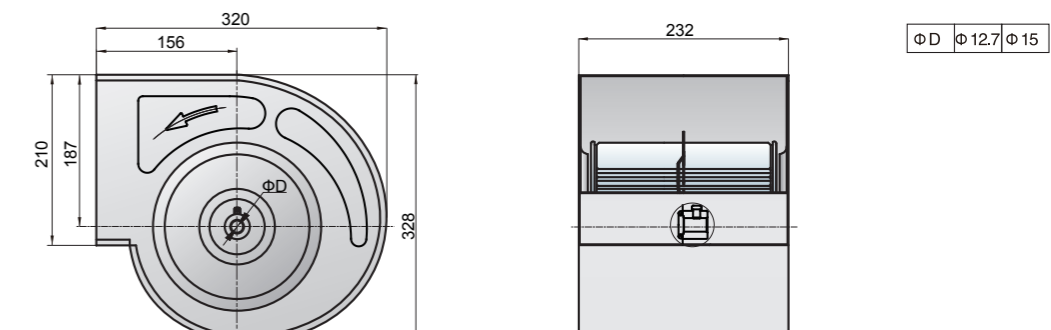
Measured in installation B according to AMCA 211:



外形尺寸 Overall Size



外形尺寸 Overall Size



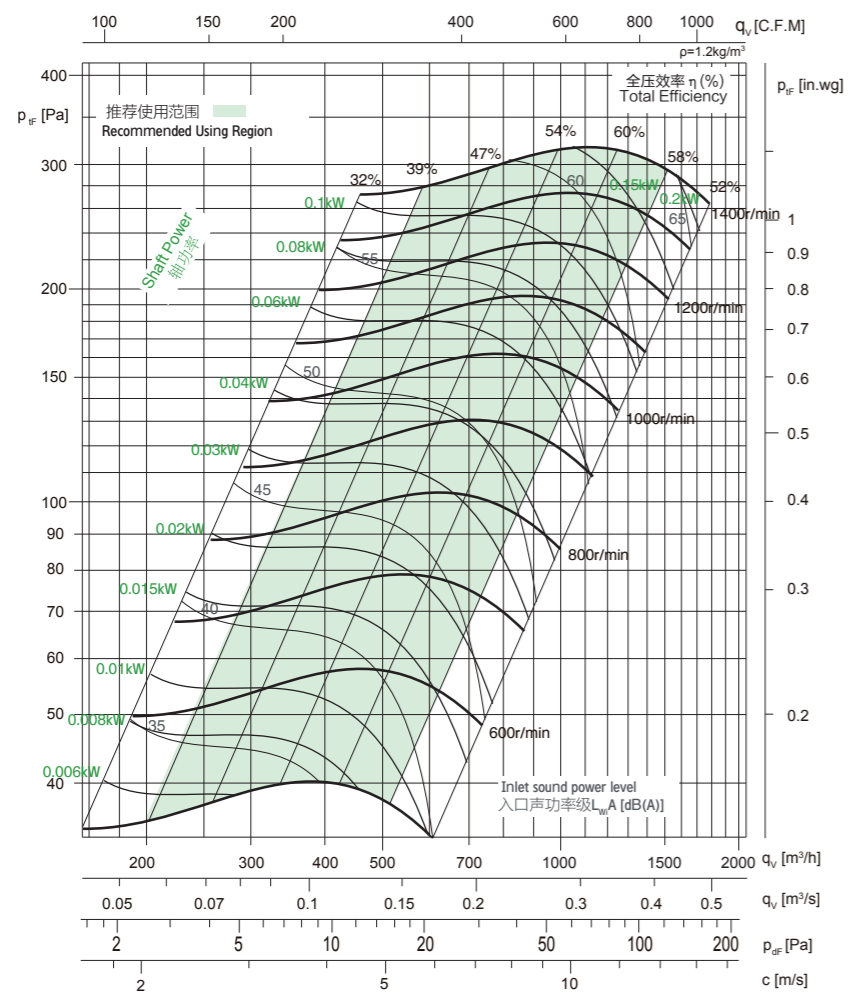
技术参数 Technical Data

Wheel diameter	叶轮直径	D = 200 mm	Fan weight	风机质量	m = 2.4 kg
Moment of inertia	转动惯量	J = 0.01 kg·m ²	Speed limit	极限转速	n _{max} = 1400 r/min

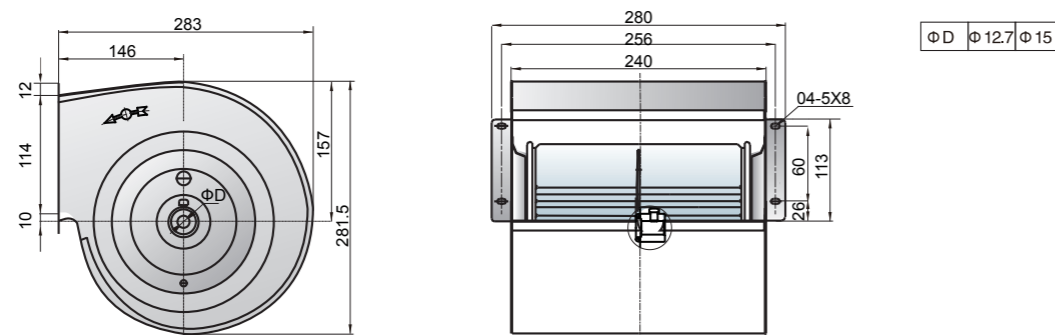
性能曲线 Performance Curves

Performance certified is for installation type B: free inlet, ducted outlet. Power rating (kW) does not include transmission losses. Performance ratings do not include the effects of appurtenances (accessories). The A-weighted sound ratings shown have been calculated per AMCA International Standard 301. Values shown are for inlet L_{WA} sound power levels for installation type B: free inlet, ducted outlet.

经认证的性能是B类安装:自由入口,管道出口。功率额定值(kW)不包括传输损失。各项性能额定值不包括附属物(附件)的影响。所示A加权声音性能额定值已按AMCA International标准301计算。所示值为安装类型B:自由入口,管道出口的声功率级(入口L_{WA})。



外形尺寸 Overall Size



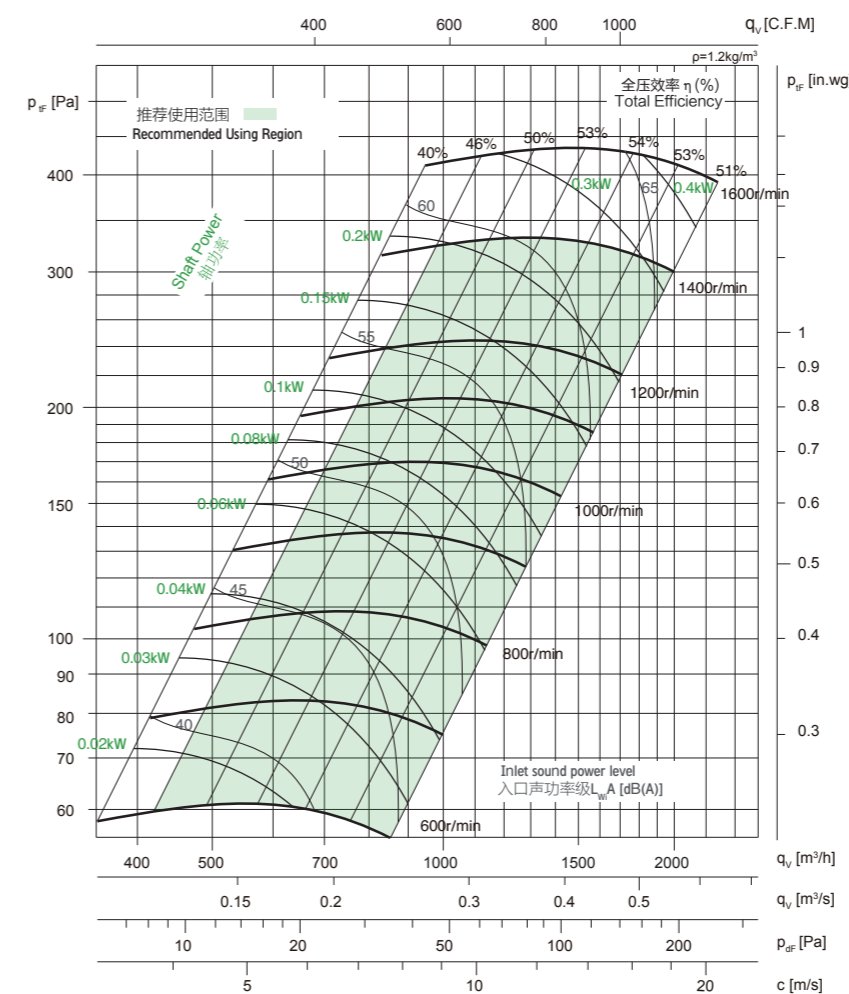
技术参数 Technical Data

Wheel diameter	叶轮直径	D = 200 mm	Fan weight	风机质量	m = 2.66 kg
Moment of inertia	转动惯量	J = 0.01 kg·m ²	Speed limit	极限转速	n _{max} = 1400 r/min

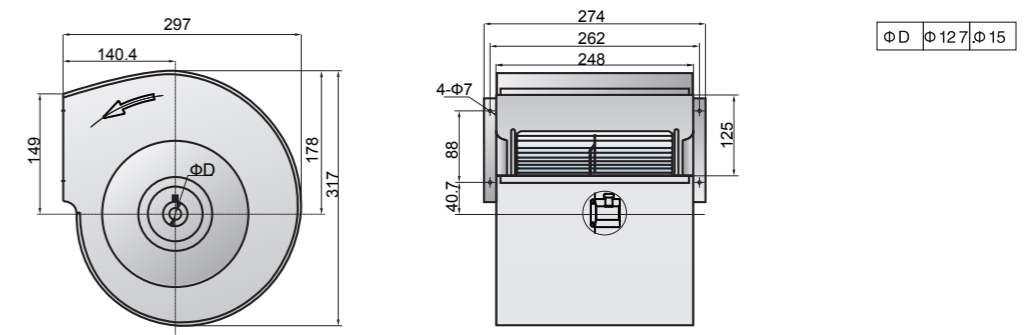
性能曲线 Performance Curves

Performance certified is for installation type B: free inlet, ducted outlet. Power rating (kW) does not include transmission losses. Performance ratings do not include the effects of appurtenances (accessories). The A-weighted sound ratings shown have been calculated per AMCA International Standard 301. Values shown are for inlet L_{WA} sound power levels for installation type B: free inlet, ducted outlet.

经认证的性能是B类安装:自由入口,管道出口。功率额定值(kW)不包括传输损失。各项性能额定值不包括附属物(附件)的影响。所示A加权声音性能额定值已按AMCA International标准301计算。所示值为安装类型B:自由入口,管道出口的声功率级(入口L_{WA})。



外形尺寸 Overall Size



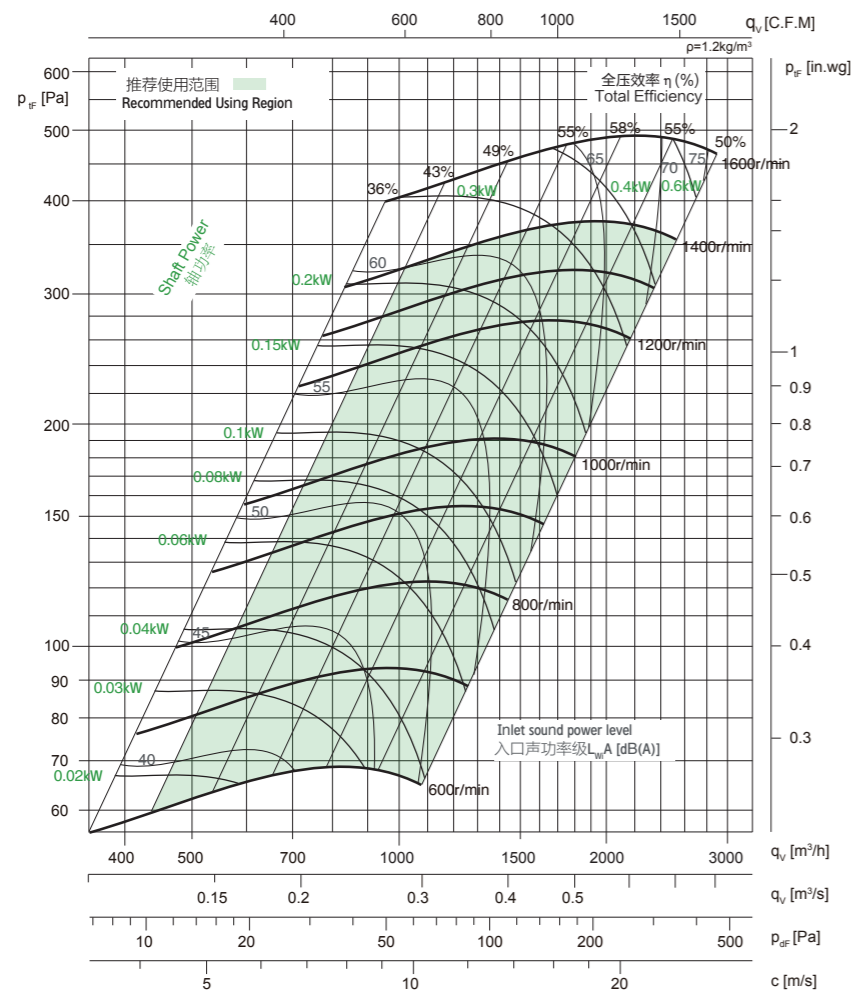
技术参数 Technical Data

Wheel diameter	叶轮直径	D = 200 mm	Fan weight	风机质量	m = 3.49 kg
Moment of inertia	转动惯量	J = 0.01 kg·m ²	Speed limit	极限转速	n _{max} = 1400 r/min

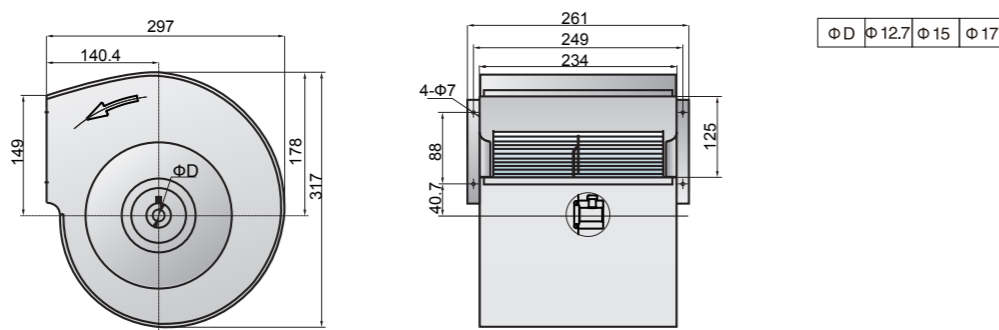
性能曲线 Performance Curves

Performance certified is for installation type B: free inlet, ducted outlet. Power rating (kW) does not include transmission losses. Performance ratings do not include the effects of appurtenances (accessories). The A-weighted sound ratings shown have been calculated per AMCA International Standard 301. Values shown are for inlet L_{WA} sound power levels for installation type B: free inlet, ducted outlet.

经认证的性能是B类安装:自由入口,管道出口。功率额定值(kW)不包括传输损失。各项性能额定值不包括附属物(附件)的影响。所示A加权声音性能额定值已按AMCA International标准301计算。所示值为安装类型B:自由入口,管道出口的声功率级(入口L_{WA})。



外形尺寸 Overall Size



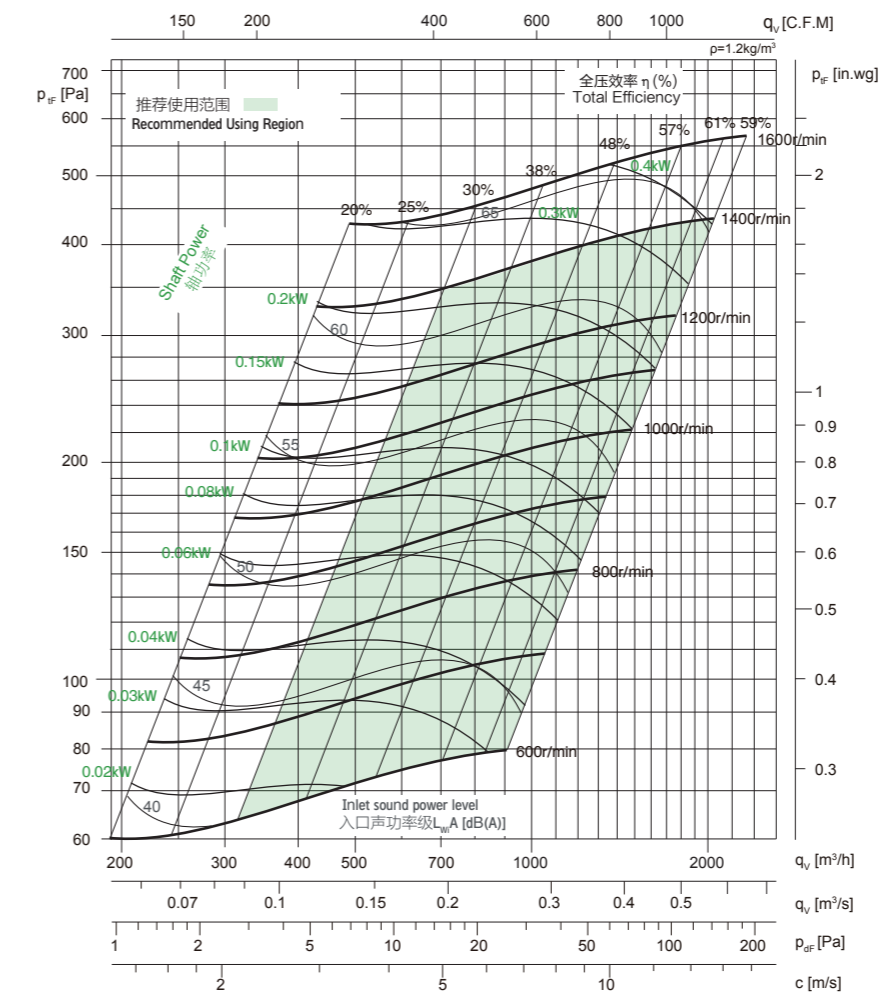
技术参数 Technical Data

Wheel diameter	叶轮直径	D = 225 mm	Fan weight	风机质量	m = 3.33 kg
Moment of inertia	转动惯量	J = 0.013 kg·m ²	Speed limit	极限转速	n _{max} = 1400 r/min

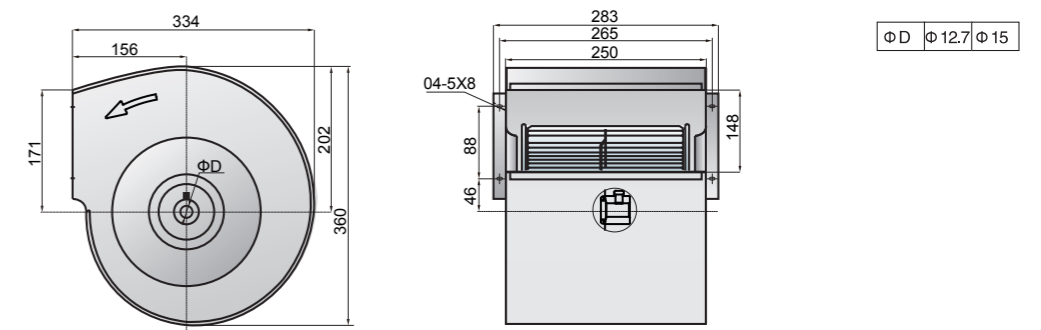
性能曲线 Performance Curves

Performance certified is for installation type B: free inlet, ducted outlet. Power rating (kW) does not include transmission losses. Performance ratings do not include the effects of appurtenances (accessories). The A-weighted sound ratings shown have been calculated per AMCA International Standard 301. Values shown are for inlet L_{WA} sound power levels for installation type B: free inlet, ducted outlet.

经认证的性能是B类安装:自由入口,管道出口。功率额定值(kW)不包括传输损失。各项性能额定值不包括附属物(附件)的影响。所示A加权声音性能额定值已按AMCA International标准301计算。所示值为安装类型B:自由入口,管道出口的声功率级(入口L_{WA})。



外形尺寸 Overall Size



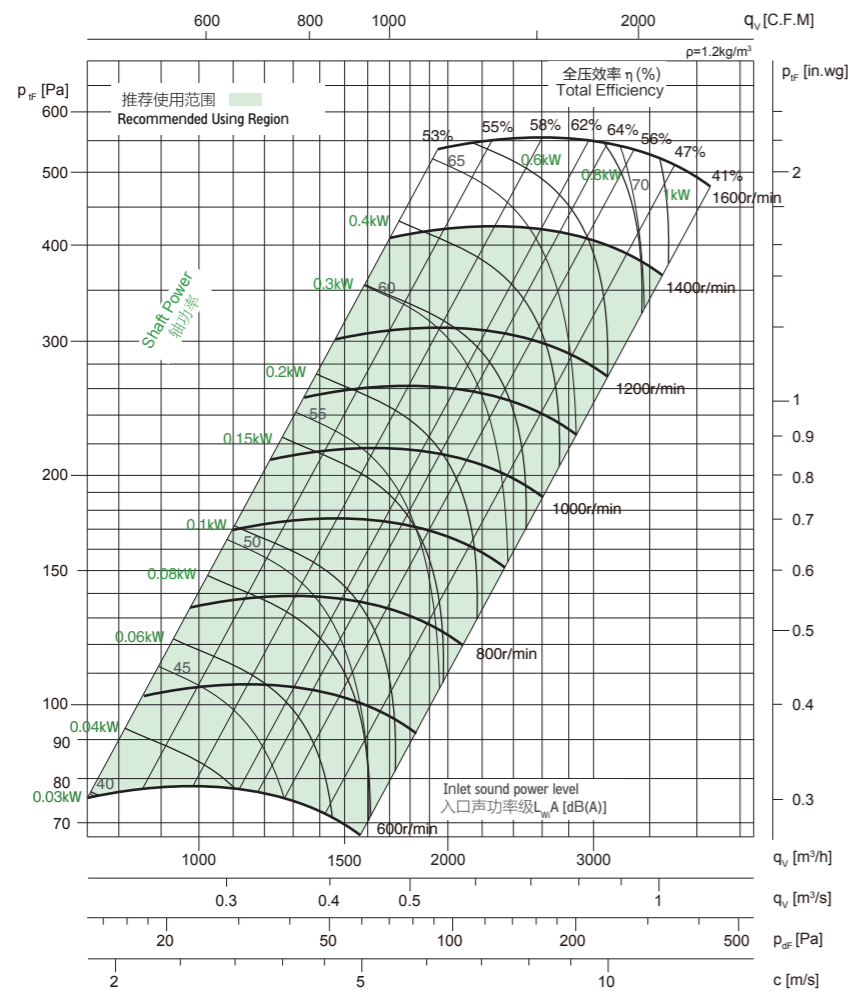
技术参数 Technical Data

Wheel diameter	叶轮直径	D = 225 mm	Fan weight	风机质量	m = 3.75 kg
Moment of inertia	转动惯量	J = 0.014 kg·m ²	Speed limit	极限转速	n _{max} = 1400 r/min

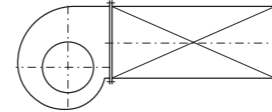
性能曲线 Performance Curves

Performance certified is for installation type B: free inlet, ducted outlet. Power rating (kW) does not include transmission losses. Performance ratings do not include the effects of appurtenances (accessories). The A-weighted sound ratings shown have been calculated per AMCA International Standard 301. Values shown are for inlet L_{WA} sound power levels for installation type B: free inlet, ducted outlet.

经认证的性能是B类安装:自由入口,管道出口。功率额定值(kW)不包括传输损失。各项性能额定值不包括附属物(附件)的影响。所示A加权声音性能额定值已按AMCA International标准301计算。所示值为安装类型B:自由入口,管道出口的声功率级(入口L_{WA})。



Measured in installation B according to AMCA 211:



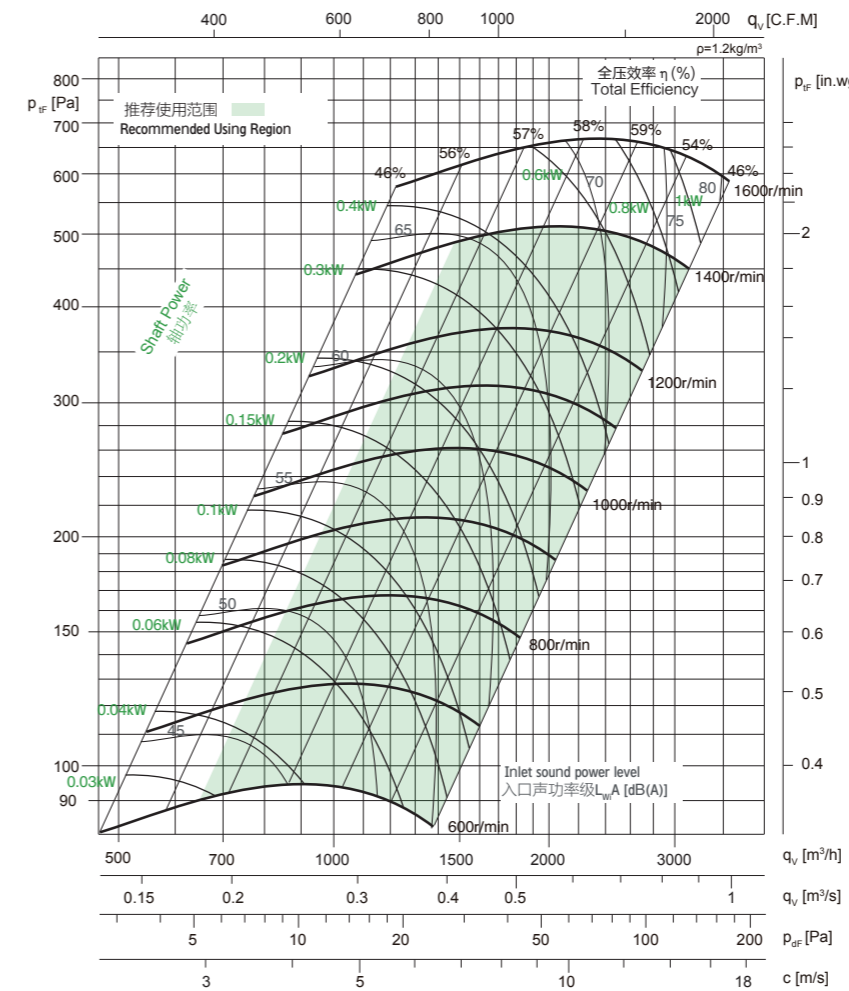
技术参数 Technical Data

Wheel diameter	叶轮直径	D = 250 mm	Fan weight	风机质量	m = 4.4 kg
Moment of inertia	转动惯量	J = 0.016 kg·m ²	Speed limit	极限转速	n _{max} = 1400 r/min

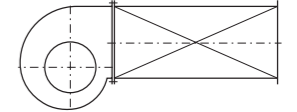
性能曲线 Performance Curves

Performance certified is for installation type B: free inlet, ducted outlet. Power rating (kW) does not include transmission losses. Performance ratings do not include the effects of appurtenances (accessories). The A-weighted sound ratings shown have been calculated per AMCA International Standard 301. Values shown are for inlet L_{WA} sound power levels for installation type B: free inlet, ducted outlet.

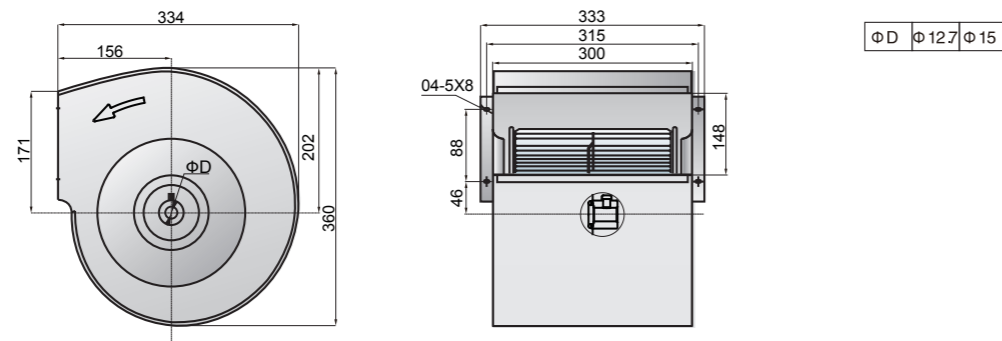
经认证的性能是B类安装:自由入口,管道出口。功率额定值(kW)不包括传输损失。各项性能额定值不包括附属物(附件)的影响。所示A加权声音性能额定值已按AMCA International标准301计算。所示值为安装类型B:自由入口,管道出口的声功率级(入口L_{WA})。



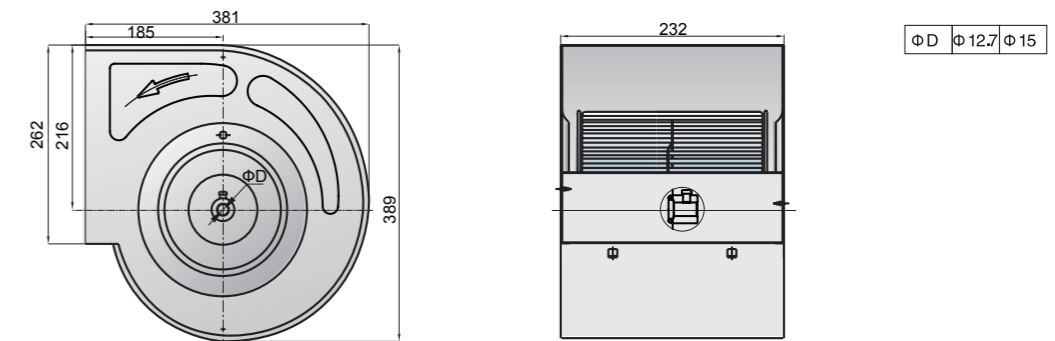
Measured in installation B according to AMCA 211:



外形尺寸 Overall Size



外形尺寸 Overall Size



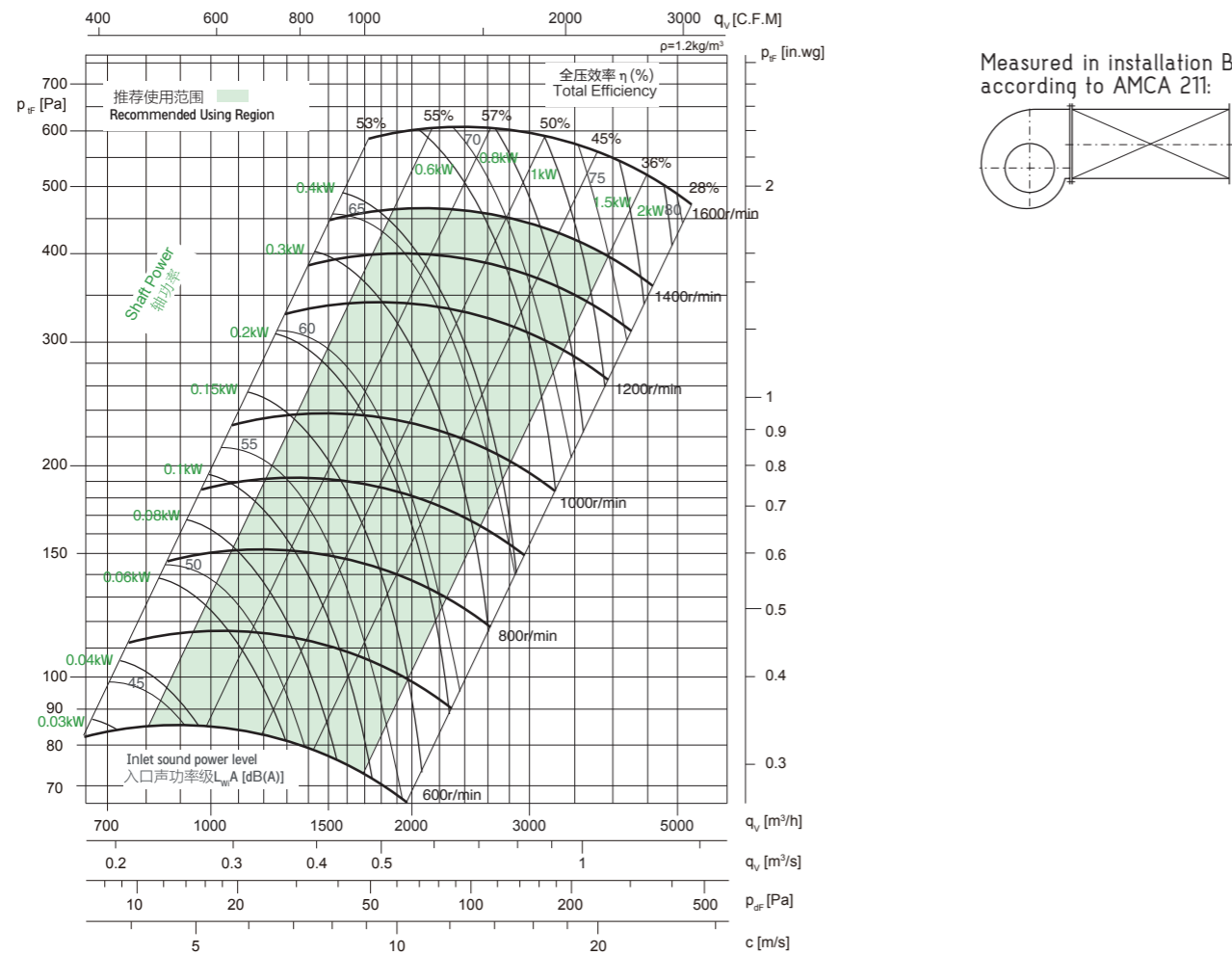
技术参数 Technical Data

Wheel diameter	叶轮直径	D = 250 mm	Fan weight	风机质量	m = 3.88 kg
Moment of inertia	转动惯量	J = 0.016 kg·m ²	Speed limit	极限转速	n _{max} = 1400 r/min

性能曲线 Performance Curves

Performance certified is for installation type B: free inlet, ducted outlet. Power rating (kW) does not include transmission losses. Performance ratings do not include the effects of appurtenances (accessories). The A-weighted sound ratings shown have been calculated per AMCA International Standard 301. Values shown are for inlet L_{WA} sound power levels for installation type B: free inlet, ducted outlet.

经认证的性能是B类安装:自由入口,管道出口。功率额定值(kW)不包括传输损失。各项性能额定值不包括附属物(附件)的影响。所示A加权声音性能额定值已按AMCA International标准301计算。所示值为安装类型B:自由入口,管道出口的声功率级(入口L_{WA})。



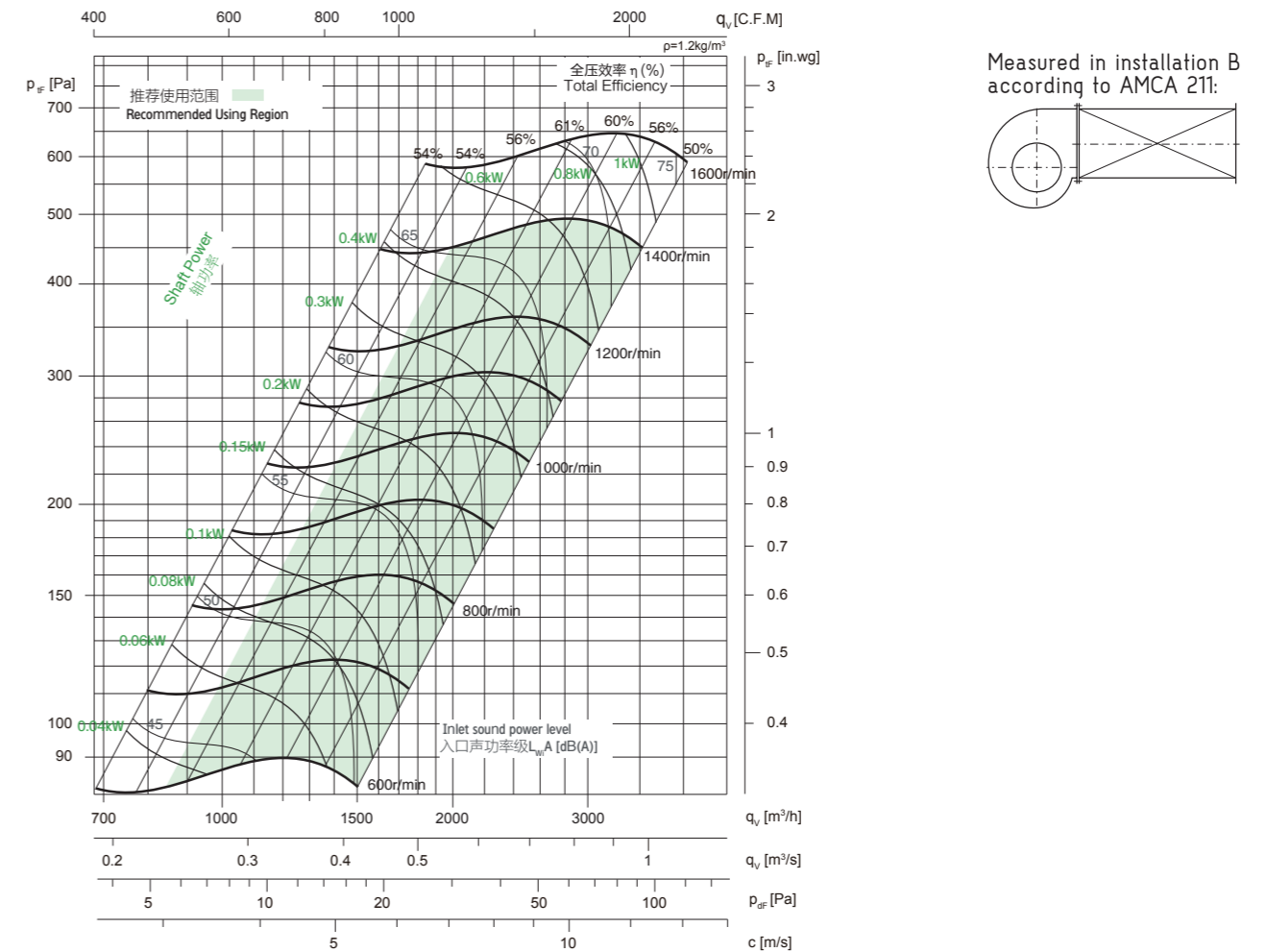
技术参数 Technical Data

Wheel diameter	叶轮直径	D = 250 mm	Fan weight	风机质量	m = 5.02 kg
Moment of inertia	转动惯量	J = 0.018 kg·m ²	Speed limit	极限转速	n _{max} = 1400 r/min

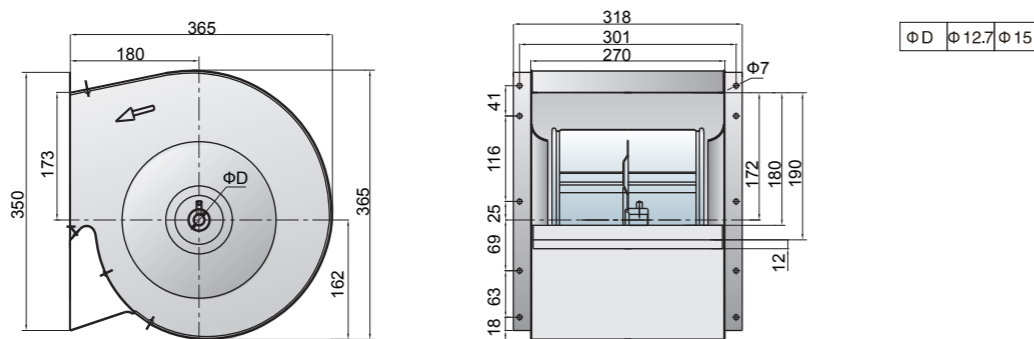
性能曲线 Performance Curves

Performance certified is for installation type B: free inlet, ducted outlet. Power rating (kW) does not include transmission losses. Performance ratings do not include the effects of appurtenances (accessories). The A-weighted sound ratings shown have been calculated per AMCA International Standard 301. Values shown are for inlet L_{WA} sound power levels for installation type B: free inlet, ducted outlet.

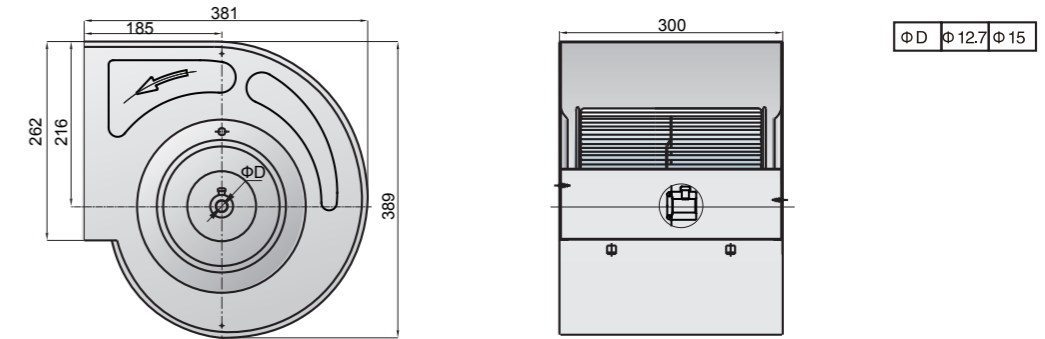
经认证的性能是B类安装:自由入口,管道出口。功率额定值(kW)不包括传输损失。各项性能额定值不包括附属物(附件)的影响。所示A加权声音性能额定值已按AMCA International标准301计算。所示值为安装类型B:自由入口,管道出口的声功率级(入口L_{WA})。



外形尺寸 Overall Size



外形尺寸 Overall Size



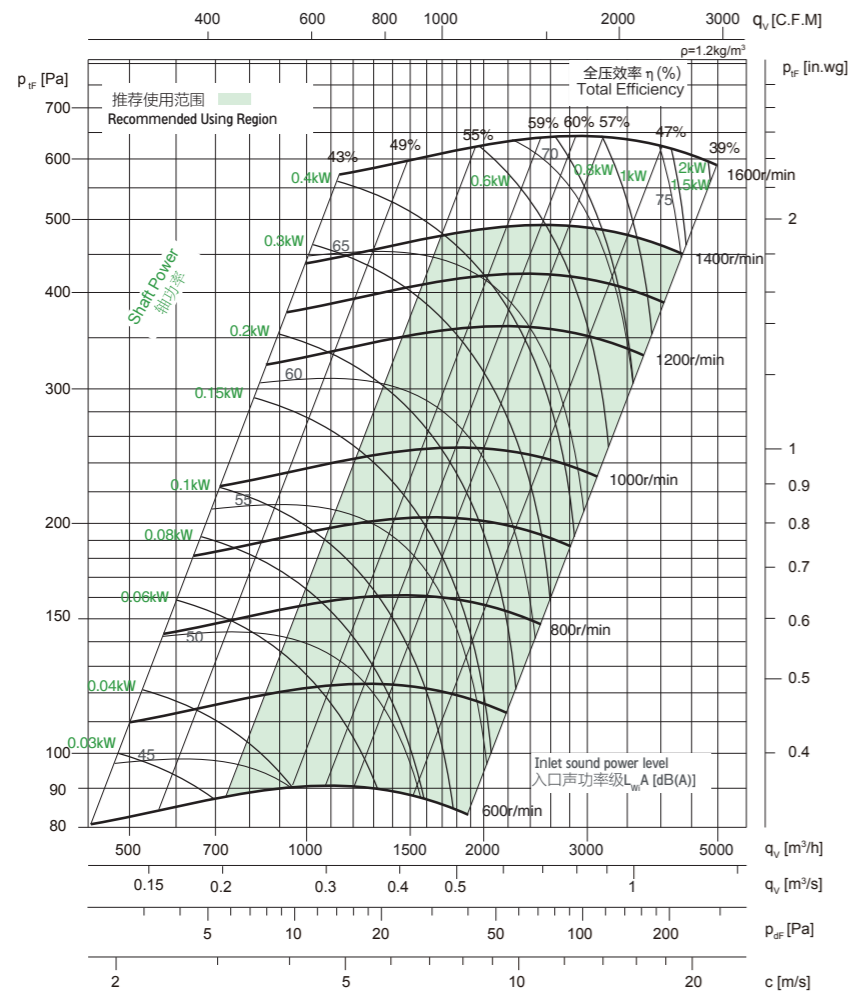
技术参数 Technical Data

Wheel diameter	叶轮直径	D = 250 mm	Fan weight	风机质量	m = 4.29 kg
Moment of inertia	转动惯量	J = 0.018 kg m ²	Speed limit	极限转速	n _{max} = 1400 r/min

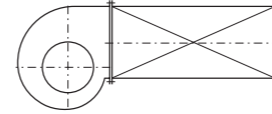
性能曲线 Performance Curves

Performance certified is for installation type B: free inlet, ducted outlet. Power rating (kW) does not include transmission losses. Performance ratings do not include the effects of appurtenances (accessories). The A-weighted sound ratings shown have been calculated per AMCA International Standard 301. Values shown are for inlet L_{WA} sound power levels for installation type B: free inlet, ducted outlet.

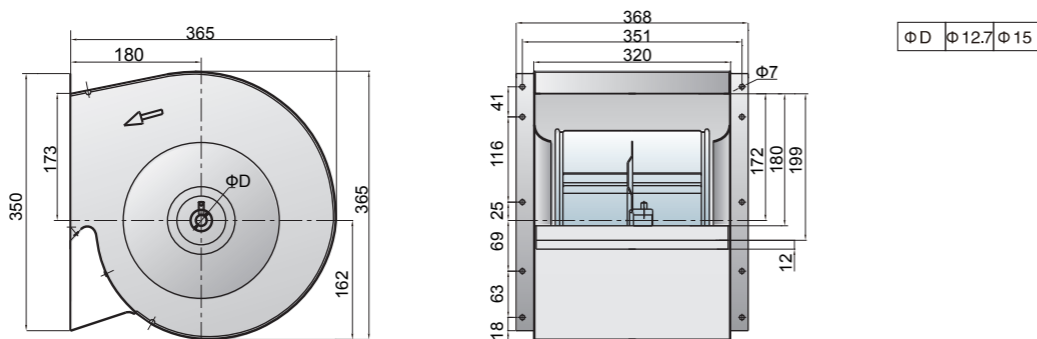
经认证的性能是B类安装:自由入口,管道出口。功率额定值(kW)不包括传输损失。各项性能额定值不包括附属物(附件)的影响。所示A加权声音性能额定值已按AMCA International标准301计算。所示值为安装类型B:自由入口,管道出口的声功率级(入口L_{WA})。



Measured in installation B according to AMCA 211:



外形尺寸 Overall Size



SYZ 系列离心式空调风机

概述

SYZ 系列离心式空调风机是基于 SYT 系列风机基础上, 参照国际同类产品先进技术自行开发的低噪声风机。额定流量从 800m³/h ~ 5000m³/h 采用单相电机直联传动, 具有效率高、噪声低、调速方便、结构紧凑等特点, 是变风量空调器、管道式空调机组、VAV 系统及其他暖通空调、净化设备理想的配套产品。

Summary

SYZ series centrifugal air-conditioning fans are based on SYT series, which are newly developed and manufactured products with internationally advanced by this company. It was developed by using high technology and with low noise and compact structure. It was specially designed for the air-conditioning. The flow rate and total pressure range of this series fan are from 800m³/h to 5000m³/h. It is the ideal equipment for the changeable air conditioners, tube type units, VAV system, heating and other kind of fan system.

命名方式

SYZ 7 - 7 I (90W - 6)

Nomenclature

电枢极数
Motor polar number

电机功率 (W)
Motor power(W)

改型标记 (I II III)
Mark of revision

叶轮宽度 (inch)
Width of Wheel(inch)

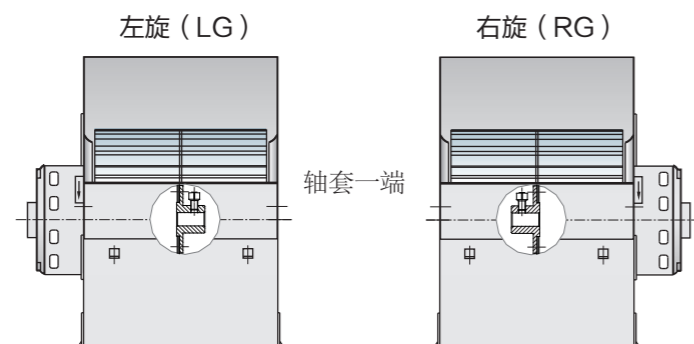
叶轮名义直径 (inch)
Nominal diameter of Wheel (inch)

风机系列代号
Fan series blades

产品型式

1. 旋向

通风机的旋转方向, 可分为顺时针旋转 (右旋) 和逆时针旋转 (左旋) 二种。顺时针旋转 (右旋), 从轴套端看, 叶轮旋转方向与时针旋转方向一致。逆时针旋转 (左旋), 从轴套端看, 叶轮旋转方向与时针旋转方向相反。



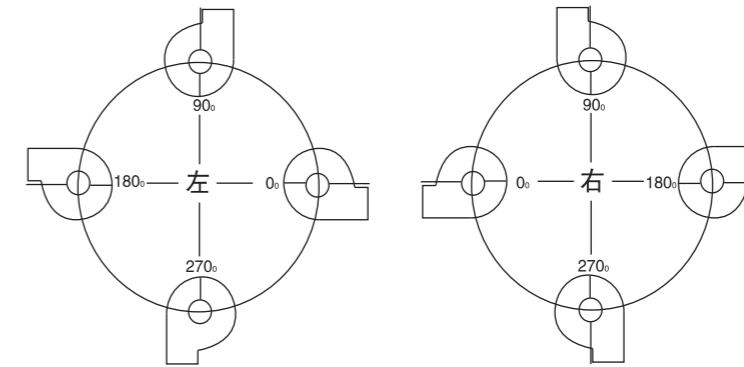
1. Rotation Direction

The rotation direction of the fan can be divided into clockwise rotation (R) and counterclockwise rotation (L). Clockwise rotation (R): From the sleeve side, the Wheel rotation direction is the same as the clockwise direction of rotation. Counterclockwise rotation (L): From the sleeve side, the Wheel rotation direction is opposite to the clockwise direction of rotation.

2. 出风口方向

SYZ 系列风机可按图 1 所示制成 0°、90°、180°、270° 四种出风方向。

图 1 (Fig 1)



2. Discharge Direction

According to Fig1, SYZ Series fans can be made in four air-outlet directions: 0°, 90°, 180°, and 270°.

产品结构

SYZ 系列风机主要由机壳、叶轮、支板、电机、四部分组成。

1. 机壳

机壳采用热镀锌钢板制造, 侧板具有符合空气动力学的外形, 进风口整体拉伸成型, 蜗板采用点焊方式与侧板连成一体。在侧板上预设一系列的铆螺母孔, 以便按照用户要求的出风口方向进行安装。

2. 叶轮

前向多翼叶轮采用优质热镀锌钢板制成, 叶片设计成符合空气动力学的特定形状, 使得效率最高, 噪声最低。叶片用铆爪固定在中盘及端圈上, 在最大功率连续运转时, 叶轮将具备足够的刚度。所有叶轮进行静平衡和动平衡测试, 内控精度达到 G2.5 级 (ANSI/AMCA-204)。

3. 支板

支板采用优质镀锌板制成, 独特加强工艺保证足够的强度, 支板安装角度可以根据用户不同需求进行调整。

4. 电机

SYZ 系列风机配用单相 220V/50HZ 三速电机, 该电机具有调速灵活、安装方便等特点。可采用可控硅调压器及变频器等手段进行无级调速。

Construction of Product

SYZ series ventilators consists of housing, Wheel, baseplate and motor.

1. Housing

The housing is made of hot galvanized steel sheet. The side plates include inlets cones that are designed with the best aerodynamics for inlet condition. The scroll is fixed to the side plates by spot welding. On the side of the housing there are a series of holes drilled in advance for riveting nuts to carry out installation according to air outlet direction needed by the customer.

2. Wheel

Forward curved Wheel is constructed of high-grade hot galvanized steel sheet with the advanced aerodynamics profile to achieve the highest efficiency and the lowest noise level. The Wheel is fixed on the center plate and on the end ring with riveting grip pres. The Wheel is constructed with maximum strength that endures the continuous operation with maximum power. All Wheels are balanced to the ANSI/AMCA 204 Notional Standard. Yilida's internal standard is G2.5 or higher for wheel balancing.

3. Frame

SYZ series fan baseplates are made of high-quality galvanized steel sheet, which can be assembled with the direction by the customer demand.

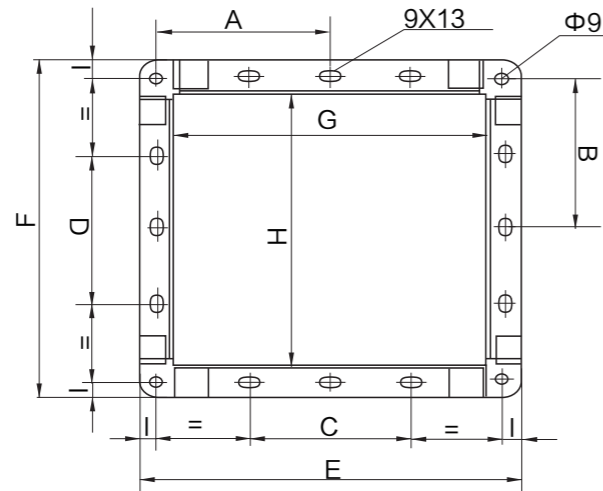
4. Motor

SYZ series fans are equipped with single-phase 220V/50HZ three speeds motors, which are flexible to change speed and easy to install, Speed can be changed by using provided silicon controlled voltage regulator and frequency converter.

5. 法兰

法兰采用优质热镀锌钢板制造，法兰与壳体的连接采用 TOX 免焊工艺，外观精美并具有足够的刚度和强度。法兰口尺寸型式参照图 2 所示。

图 2 (Fig 2)



5. Flange

The flange is made of galvanized steel. The connections of the flange components to the scroll are made using a TOX non-welding process. This maintains a good flange appearance while also providing sufficient strength and rigidity. The dimensions and type of flange are shown in Fig2.

说明

- 1) 风机配用电动机功率是指在特定工况下，内功率加上电机容量安全系数而言，并非出风口全开时所需的功率，因此为防止电机因超功率运转而烧毁，严禁风机未加任何外界阻力进行空运转。
- 2) 样本中的风机性能是选用电机额定转速测试的结果，我们亦可通过改变电机的转速达到用户实际的需求。
- 3) 风机在运输、装卸过程中应小心轻放，严禁撞击挤压，严禁堆放于潮湿或有腐蚀性的场合。
- 4) 风机安装前应用手拨动叶轮，检查是否有过紧或碰撞现象，确认没有这些现象后方可进行试运转。
- 5) 风管与风机进风口、出风口之间连接时应尽量采用软连接，接头不得拉得过紧。
- 6) 风机安装后应检查机壳和其他壳体内部，不应遗留的工具和杂物。
- 7) 风机正式运转前，需检查叶轮的转向是否符合侧板上的转向标记。
- 8) 订货时需注明风机型号、配用电动机型号、风机的风量、风压等参数。

Instructions

- 1) The rated motor power as calculated herein might not be sufficient to drive the fan with an unrestricted discharge flow. Operating the fan with an unrestricted discharge outlet will result in flow rate that exceeds the specified fan capabilities. Such operation will quickly burn the motor and damage the fan. Great care must be taken in operating the fan to make sure that the maximum rated flows, as provided on the performance charts in this catalog, are not exceeded.
- 2) The fan performance in the catalog is tested under the motor rated speed, we can meet the actual requirement of the user by changing the motor speed.
- 3) Special care should be taken during transportation, load and unload.
The fan is limited for use in areas where air substances are non-corrosive, non-toxics and non-erosive.
- 4) Following the installation, the Wheel should be turned by hand or with the use of a wrench to make sure that it turns freely without colliding with other parts of the fan. Once all this is done, the fan can be commissioned normally.
- 5) A flexible connector should be used between the fan out let flange and its mating ductwork. The flex connector should not be over-stretched.
- 6) The inside of the scroll and casing need to be checked to make sure that there are no foreign objects inside the housing, such as tools or loose parts.
- 7) The rotational directions of the motor and should be checked to ensure that they are in compliance with the specification and purchase orders.
- 8) During ordering it is necessary to state the type of fan, motor type, air flow, air pressure and other parameters.

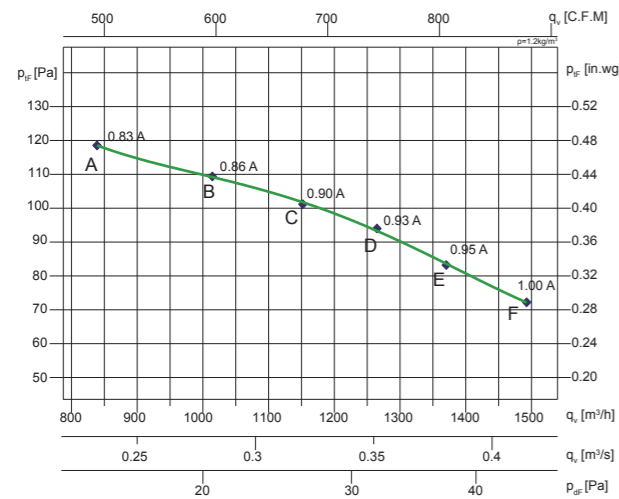
型号 Type	7-7I	7-7III	8-7III	8-8I	8-9III	9-4II	9-7I	9-7III	9-9I	9-9III	10-8I	10-8III	10-10I	10-10II	10-10III	12-9I	12-12I
A	126	126	137.5	153.5	162.5	102.5	126	126	159	160	150	150	180.5	182	175	—	—
B	114	115	138	138	138	141	141	141	141	141	160.5	158.5	160.5	158.5	160.5	—	—
C	—	—	—	—	—	—	—	—	—	—	—	—	—	—	—	125	150
D	—	—	—	—	—	—	—	—	—	—	—	—	—	—	—	140	140
E	272	272	295	327	345	225	272	272	338	340	326	326	387	390	376	365	457
F	248	250	296	296	296	302	302	302	302	302	347	343	347	343	347	397	397
G	232	232	255	287	305	185	232	232	298	300	270	270	331	334	320	309	395
H	208	210	256	256	256	262	262	262	262	262	291	287	291	287	291	341	341
I	10	10	10	10	10	10	10	10	10	10	13	13	13	13	13	13	13

注：表格和外形尺寸的单位为 mm。

Note: the size unit in the form and overall size are mm.

技术参数

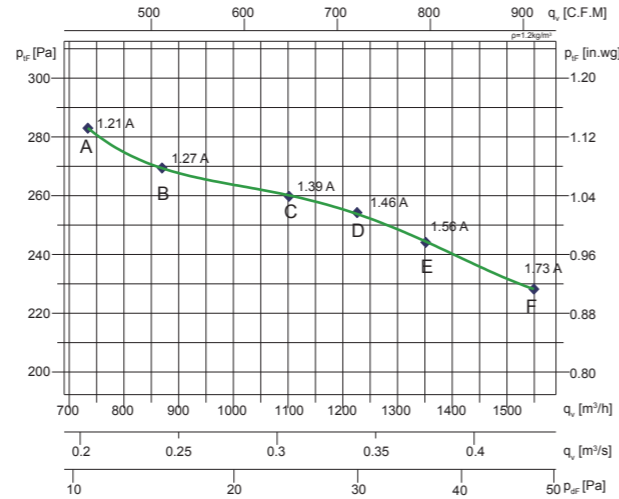
SYZ 7-7 I 90W-6



Type: SYZ 7-7 I		m: 8.85 kg		P _N : 90W-6P					
		U: 220 v		f _i : 50HZ					
		I _N : 1.1 A		IP: IP20					
工况点	风机转速 n(r/min)	125Hz	250Hz	500Hz	1kHz	2kHz	4kHz	8kHz	L _w dB (A)
A	934	48.1	54.3	55.3	59.1	56.0	53.5	46.7	63.4
B	918	48.2	54.9	57.5	61.4	58.2	56.9	48.7	65.5
C	905	49.6	56.1	59.5	63.3	59.8	59.2	50.6	67.3
D	893	51.0	57.4	60.7	65.0	61.3	61.6	53.2	69.1
E	878	52.5	58.7	62.4	66.5	62.7	63.2	55.1	70.6
F	864	53.0	61.3	63.7	67.6	64.3	65.2	62.3	72.4

Technical Data

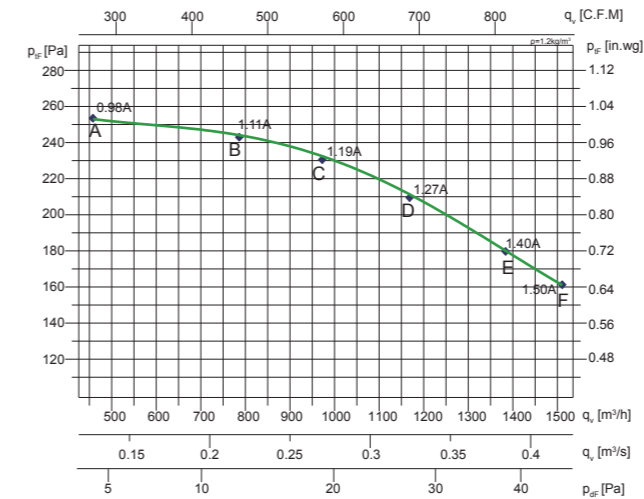
SYZ 7-7 I 200W-4



Type: SYZ 7-7 I		m: 9.4 kg		P _N : 200W-4P					
		U: 220 v		f _i : 50HZ					
		I _N : 1.8 A		IP: IP20					
工况点	风机转速 n(r/min)	125Hz	250Hz	500Hz	1kHz	2kHz	4kHz	8kHz	L _w dB (A)
A	1421	58.2	64.6	62.7	66.4	63.1	62.0	53.3	71.4
B	1407	56.9	63.9	62.3	66.6	63.5	62.7	54.4	71.3
C	1386	55.4	63.6	62.8	67.8	64.8	64.3	56.6	72.2
D	1370	55.2	64.6	63.3	68.3	65.5	65.5	58.0	73.0
E	1350	55.1	65.1	64.0	69.9	66.5	66.8	59.6	74.2
F	1316	55.3	65.2	65.3	71.0	68.1	68.6	61.8	75.4

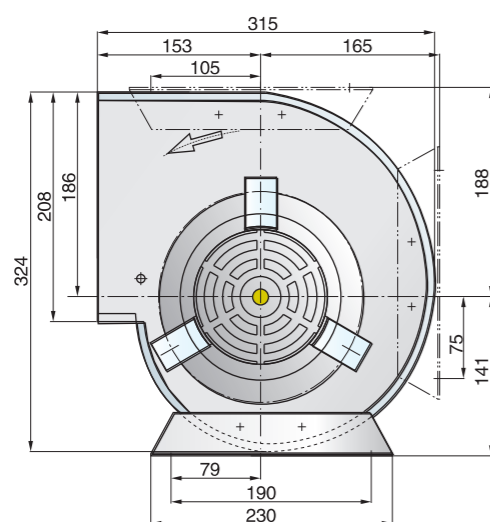
技术参数

SYZ 7-7 I 150W-4



Type: SYZ 7-7 I		m: 9.1 kg		P _N : 150W-4P					
		U: 220 v		f _i : 50HZ					
		I _N : 1.6 A		IP: IP20					
工况点	风机转速 n(r/min)	125Hz	250Hz	500Hz	1kHz	2kHz	4kHz	8kHz	L _w dB (A)
A	1396	56.3	63.7	62.5	65.7	62.4	61.3	59.9	70.9
B	1351	55.4	63.3	61.8	65.8	63.1	62.4	60.2	71.0
C	1319	54.6	62.8	62.1	66.7	64.8	64.2	60.8	71.9
D	1275	54.9	63.6	63.3	67.4	64.9	65.0	61.5	72.5
E	1197	54.8	63.7	64.3	68.4	65.9	66.3	61.8	73.4
F	1161	55.7	64.5	65.6	69.8	67.0	67.5	62.6	74.6

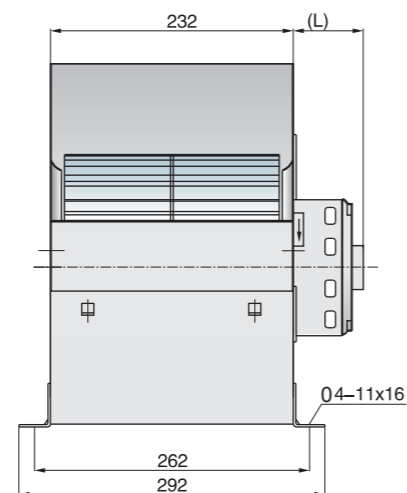
外形及安装尺寸



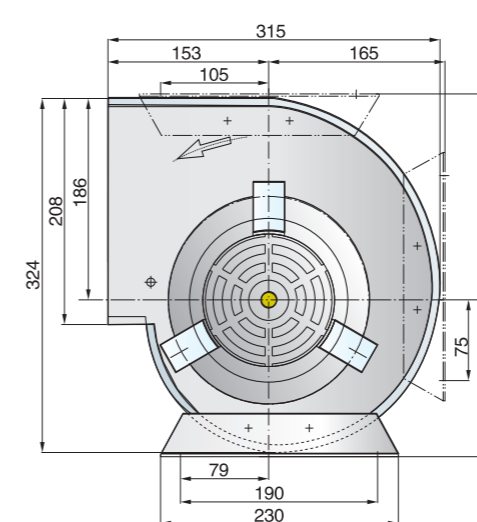
Overall Size

Note: the overall size unit is mm.

电机功率	90W-6	200W-4
L	55	65

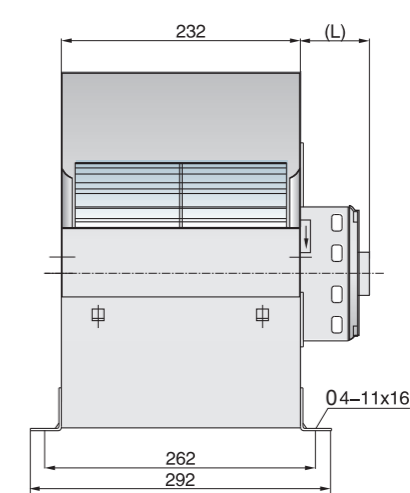


外形及安装尺寸



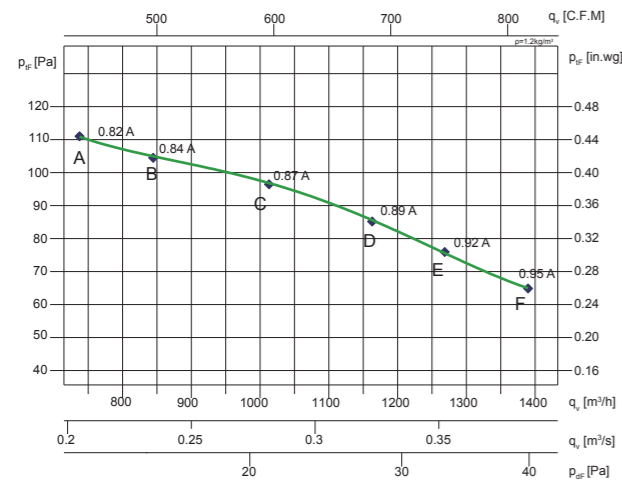
Overall Size

电机功率	150W-4
L	65



技术参数

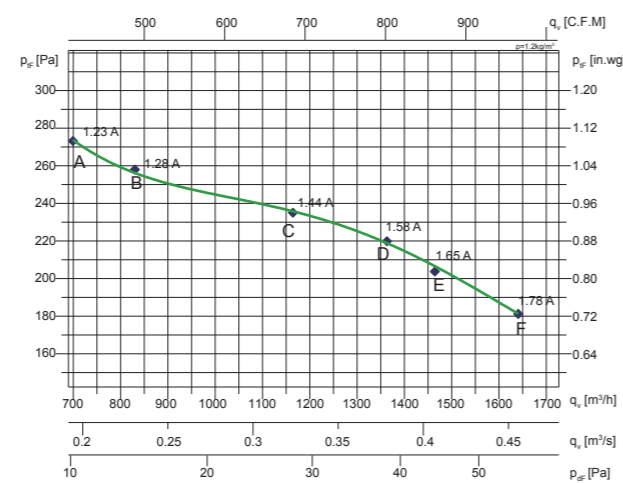
SYZ 7-7 III 90w-6



Type: SYZ 7-7 III		m: 8.17 kg	P_N : 90W-6P						
		U: 220 v	f_1 : 50HZ						
		I_N : 1.1 A	IP: IP20						
工况点	风机转速 n(r/min)	125Hz	250Hz	500Hz	1kHz	2kHz	4kHz	8kHz	L_{wa} dB (A)
A	940	46.5	51.9	52.9	56.4	53.3	51.0	46.8	60.8
B	935	47.6	52.0	54.3	57.4	54.3	52.4	47.9	61.9
C	923	44.3	54.3	57.2	60.1	56.9	55.4	50.7	64.5
D	908	49.2	55.7	60.8	62.6	59.2	58.1	53.1	67.1
E	898	50.7	56.8	61.7	64.5	61.2	60.2	55.2	68.8
F	886	51.7	57.8	63.0	66.4	62.9	61.9	57.7	70.5

Technical Data

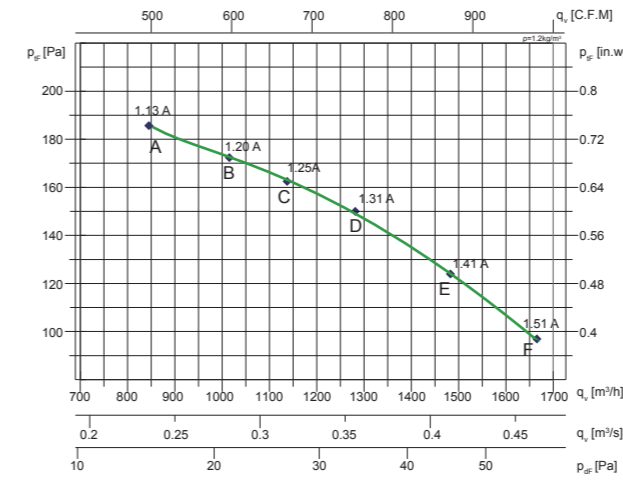
SYZ 7-7 III 200w-4



Type: SYZ 7-7 III		m: 8.7 kg	P_N : 200W-4P						
		U: 220 v	f_1 : 50HZ						
		I_N : 1.8 A	IP: IP20						
工况点	风机转速 n(r/min)	125Hz	250Hz	500Hz	1kHz	2kHz	4kHz	8kHz	L_{wa} dB (A)
A	1342	55.6	65.1	64.0	67.0	64.3	63.2	55.7	72.1
B	1316	56.5	65.2	63.6	66.8	64.4	63.0	55.7	72.0
C	1265	53.1	63.4	63.7	68.2	65.8	64.9	58.3	72.7
D	1202	52.2	63.3	65.5	69.9	67.6	66.8	60.7	74.4
E	1163	53.2	63.8	66.4	71.2	68.6	67.9	62.3	75.5
F	1120	54.0	64.3	67.3	72.0	69.3	68.7	63.3	76.3

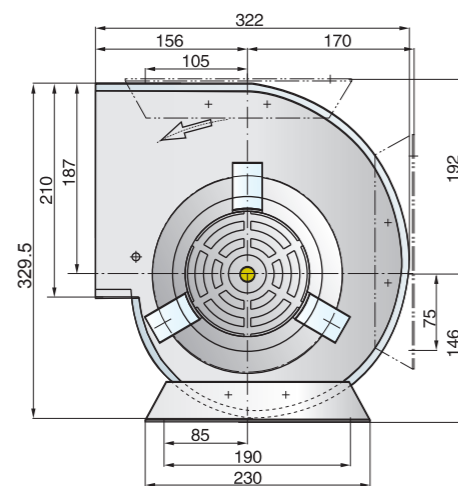
技术参数

SYZ 7-7 III 150w-4

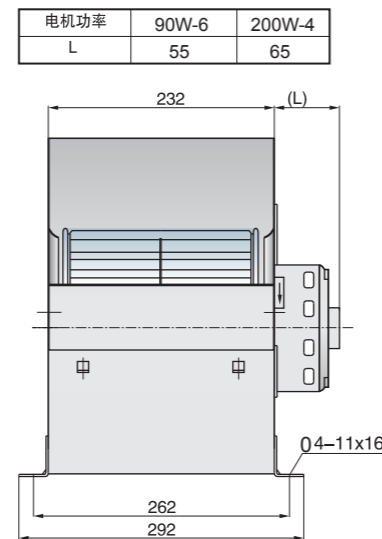


Type: SYZ 7-7 III		m: 8.40 kg	P_N : 150W-4P						
		U: 220 v	f_1 : 50HZ						
		I_N : 1.6 A	IP: IP20						
工况点	风机转速 n(r/min)	125Hz	250Hz	500Hz	1kHz	2kHz	4kHz	8kHz	L_{wa} dB (A)
A	1342	54.7	64.8	66.8	66.5	63.7	62.7	60.4	72.5
B	1316	52.7	62.7	68.1	66.5	64.2	63.3	60.8	72.8
C	1295	51.2	61.6	67.4	67.0	64.9	64.0	61.3	72.8
D	1265	51.4	62.4	67.1	68.1	65.9	65.1	62.0	73.5
E	1202	52.3	63.3	67.5	69.9	67.4	66.7	63.0	74.7
F	1120	53.2	63.8	67.8	71.2	68.5	67.9	64.2	75.8

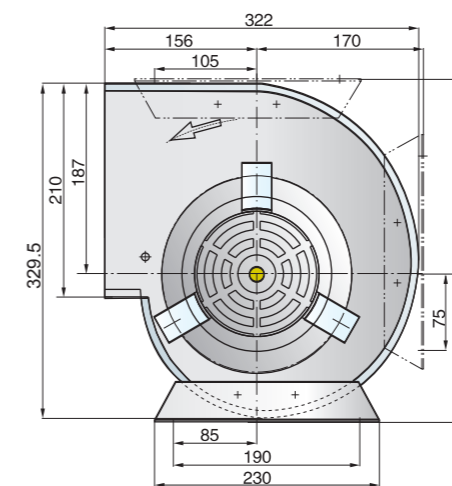
外形及安装尺寸



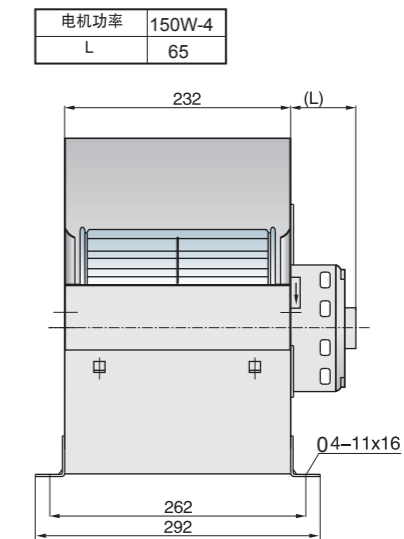
Overall Size



外形及安装尺寸

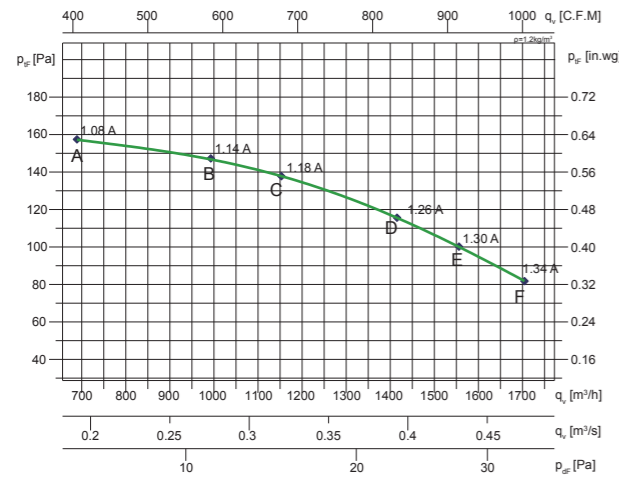


Overall Size



技术参数

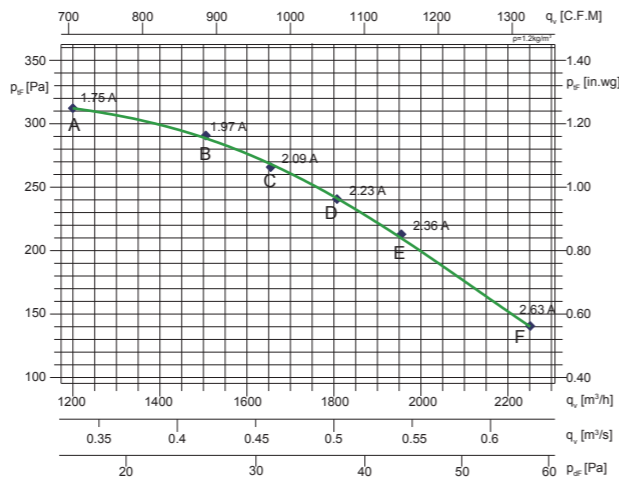
SYZ 8-7 III 200w-6



Type: SYZ 8-7 III		m: 9.15 kg	P _N : 200W-6P						
		U: 220 v	f ₁ : 50HZ						
		I _N : 2.0 A	IP: IP20						
工况点	风机转速 n(r/min)	125Hz	250Hz	500Hz	1kHz	2kHz	4kHz	8kHz	L _{wa} dB (A)
A	976	58.9	57.9	59.7	61.0	56.9	53.6	45.8	66.4
B	967	59.0	57.6	59.4	62.0	58.5	55.8	47.8	67.0
C	963	58.7	59.0	60.0	62.7	59.7	57.8	49.2	67.8
D	955	59.5	60.7	61.2	64.0	61.9	60.6	52.8	69.4
E	952	59.7	62.4	61.8	65.0	63.1	61.9	54.7	70.5
F	947	60.1	63.6	63.7	66.3	64.4	63.3	56.3	71.8

Technical Data

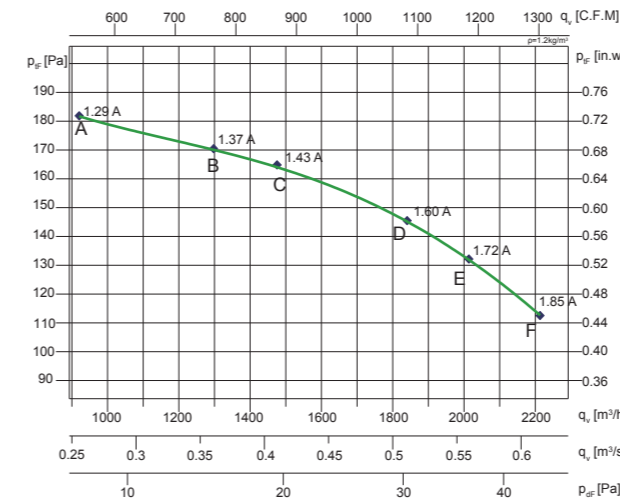
SYZ 8-7 III 300w-4



Type: SYZ 8-7 III		m: 11.95 kg	P _N : 300W-4P						
		U: 220 v	f ₁ : 50HZ						
		I _N : 3.7 A	IP: IP20						
工况点	风机转速 n(r/min)	125Hz	250Hz	500Hz	1kHz	2kHz	4kHz	8kHz	L _{wa} dB (A)
A	1389	59.1	66.7	67.8	69.6	70.1	68.2	62.9	76.0
B	1366	62.1	68.6	64.7	68.9	67.1	65.8	61.3	74.8
C	1343	62.5	68.9	65.2	69.1	67.6	66.5	61.9	75.2
D	1319	61.9	69.0	66.1	69.4	68.2	67.5	62.5	75.6
E	1300	61.8	69.6	67.4	70.8	69.5	69.3	64.0	76.8
F	1244	61.7	69.8	69.1	72.6	71.1	71.0	65.9	78.2

技术参数

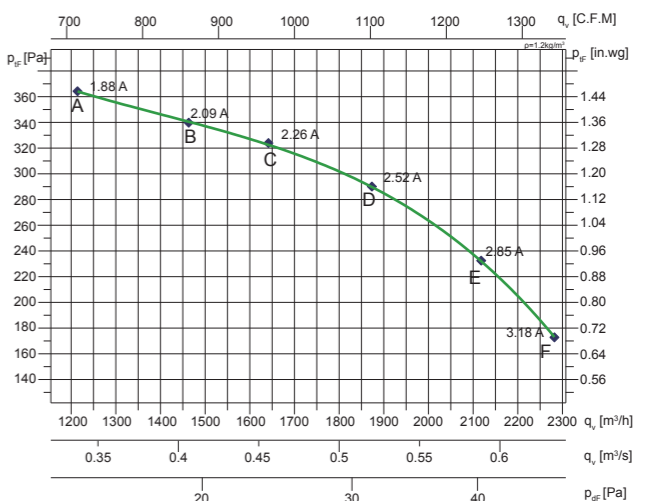
SYZ 8-8 I 200w-6



Type: SYZ 8-8 I		m: 14.05 kg	P _N : 200W-6P						
		U: 220 v	f ₁ : 50HZ						
		I _N : 2.0 A	IP: IP20						
工况点	风机转速 n(r/min)	125Hz	250Hz	500Hz	1kHz	2kHz	4kHz	8kHz	L _{wa} dB (A)
A	965	55.7	64.2	61.3	68.5	61.4	57.6	57.1	71.4
B	955	55.5	64.1	62.2	68.2	64.1	61.4	57.7	72.0
C	951	56.5	64.5	64.4	68.4	65.1	63.0	58.5	72.8
D	931	58.0	65.2	64.5	67.8	67.2	67.0	60.9	73.8
E	921	58.7	66.1	64.6	67.9	68.5	68.8	62.1	74.8
F	906	58.5	66.1	66.2	69.5	69.9	70.7	63.5	76.2

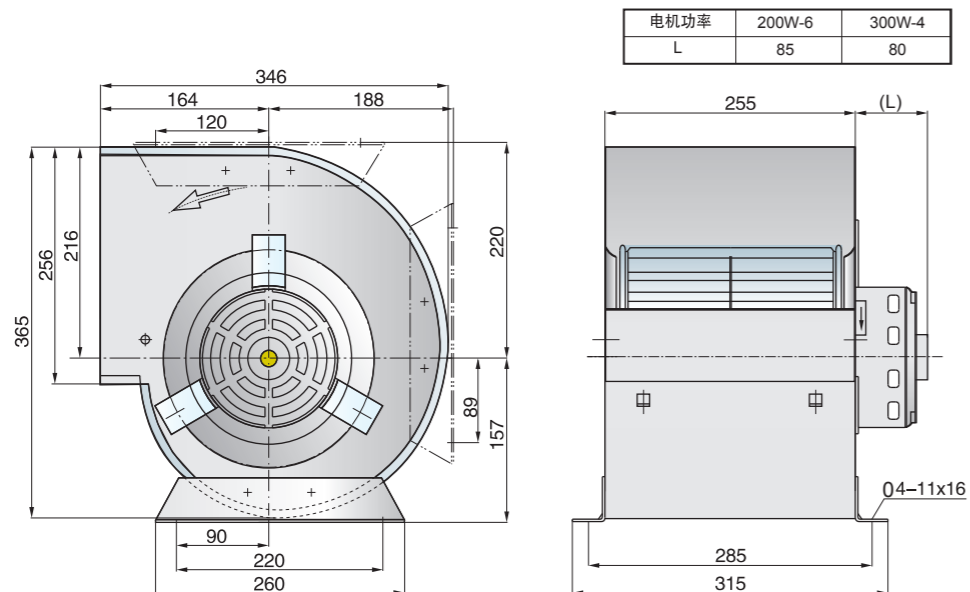
Technical Data

SYZ 8-8 I 300w-4



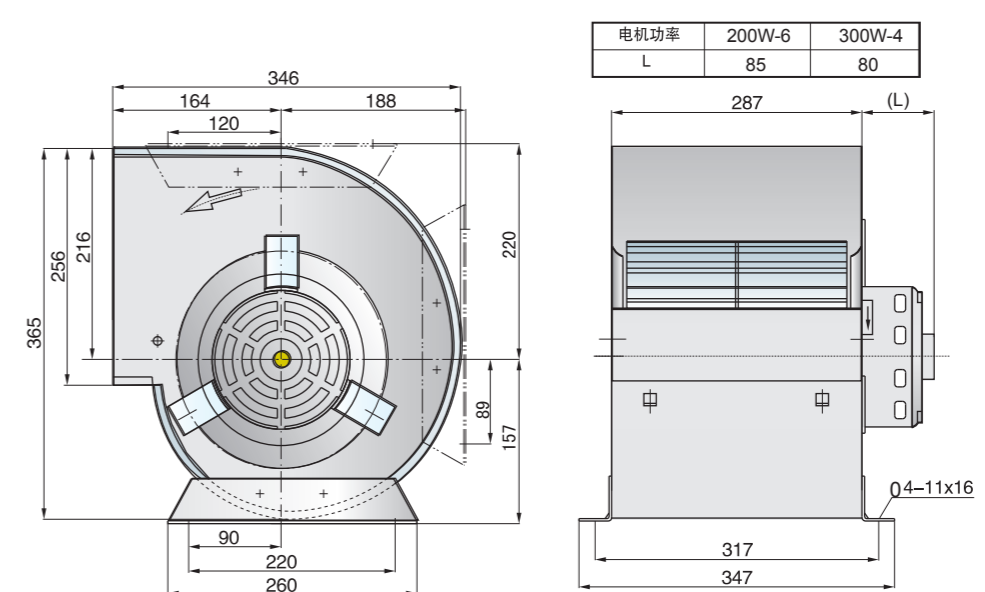
Type: SYZ 8-8 I		m: 13.35 kg	P _N : 300W-4P						
		U: 220 v	f ₁ : 50HZ						
		I _N : 3.7 A	IP: IP20						
工况点	风机转速 n(r/min)	125Hz	250Hz	500Hz	1kHz	2kHz	4kHz	8kHz	L _{wa} dB (A)
A	1370	62.6	69.7	66.1	67.9	67.1	66.9	61.5	75.2
B	1338	62.0	67.7	65.4	68.5	67.7	67.8	62.0	75.0
C	1310	60.6	68.4	65.3	68.9	68.3	68.5	62.4	75.4
D	1260	60.9	69.0	64.8	69.6	69.1	69.5	63.4	76.1
E	1160	61.8	68.4	65.8	70.8	70.1	70.8	64.2	76.9
F	1051	61.1	67.9	66.2	71.1	70.5	71.4	64.5	77.2

外形及安装尺寸



Overall Size

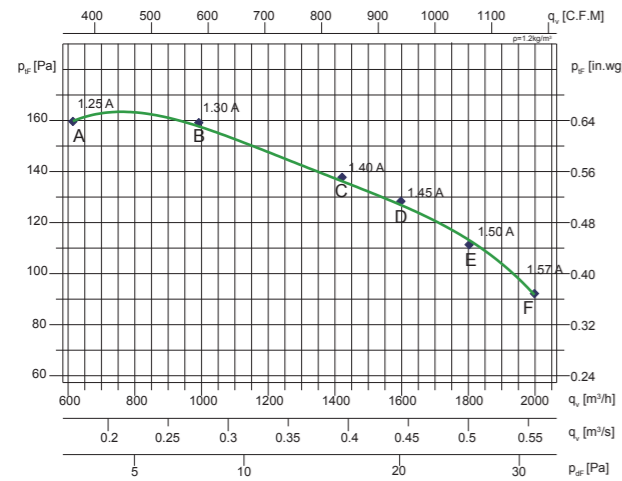
外形及安装尺寸



Overall Size

技术参数

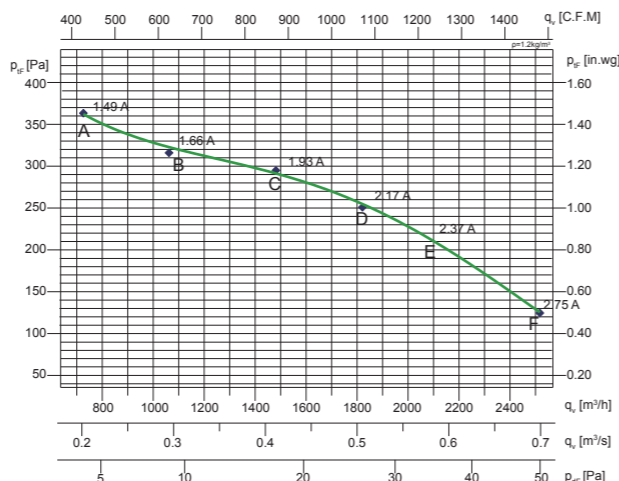
SYZ 8-9 III 200w-6



Type: SYZ 8-9 III	m: 9.85 kg	P_N : 200W-6P							
	U: 220 v	f_1 : 50HZ							
	I_N : 2.0 A	IP: IP20							
工况点	风机转速 n (r/min)	125Hz	250Hz	500Hz	1kHz	2kHz	4kHz	8kHz	L_{wa} dB (A)
A	970	57.4	59.8	56.0	59.2	56.6	54.6	48.4	65.5
B	963	57.1	59.0	56.7	59.9	58.3	55.4	47.8	65.8
C	959	58.0	61.5	58.6	62.4	61.4	59.5	51.5	68.4
D	950	58.5	62.3	59.9	63.5	62.5	60.6	53.0	69.4
E	942	59.0	63.1	62.6	64.3	63.4	61.5	54.0	70.5
F	934	59.6	63.9	63.8	65.4	64.4	62.3	55.1	71.7

Technical Data

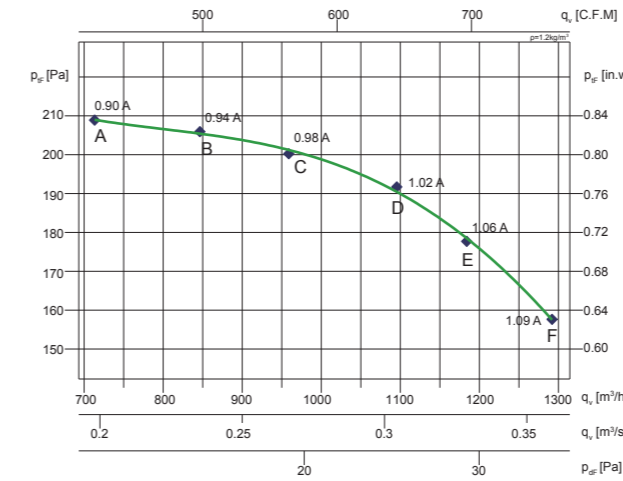
SYZ 8-9 III 300w-4



Type: SYZ 8-9 III	m: 11.95 kg	P_N : 300W-4P							
	U: 220 v	f_1 : 50HZ							
	I_N : 3.7 A	IP: IP20							
工况点	风机转速 n (r/min)	125Hz	250Hz	500Hz	1kHz	2kHz	4kHz	8kHz	L_{wa} dB (A)
A	1423	60.7	68.1	64.8	67.1	66.1	64.5	56.8	73.7
B	1403	60.7	68.1	64.8	67.1	66.1	64.5	56.4	73.6
C	1373	60.4	67.4	62.8	67.0	66.5	64.8	57.5	73.3
D	1333	61.7	69.7	63.8	68.5	67.5	66.3	59.5	74.9
E	1299	61.9	69.4	64.5	69.6	68.4	67.7	60.7	75.6
F	1218	62.3	70.1	66.9	72.3	71.0	70.8	62.9	77.8

技术参数

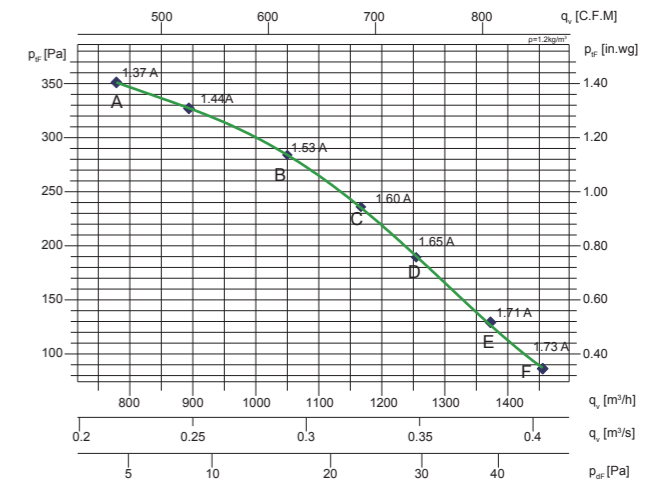
SYZ 9-4 II 90w-6



Type: SYZ 9-4 II	m: 9.75 kg	P_N : 90W-6P							
	U: 220 v	f_1 : 50HZ							
	I_N : 1.1 A	IP: IP20							
工况点	风机转速 n (r/min)	125Hz	250Hz	500Hz	1kHz	2kHz	4kHz	8kHz	L_{wa} dB (A)
A	916	46.3	55.8	57.9	61.8	58.6	54.3	43.4	65.5
B	902	45.6	55.3	58.6	62.1	59.4	55.7	44.0	66.0
C	885	45.2	56.6	59.5	62.6	60.3	57.2	45.2	66.8
D	865	46.6	57.1	60.8	63.7	61.5	59.2	47.7	68.1
E	851	49.1	58.8	61.8	64.7	62.4	60.4	49.4	69.1
F	831	49.1	59.7	62.3	65.0	63.1	61.3	50.8	69.7

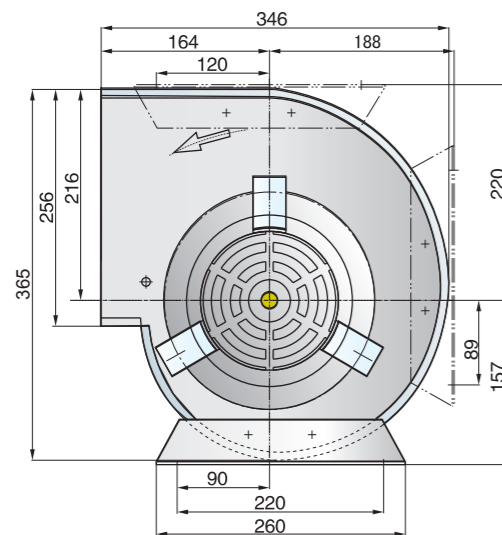
Technical Data

SYZ 9-4 II 150w-4

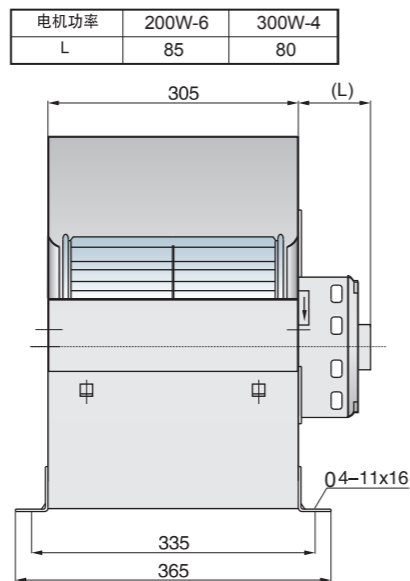


Type: SYZ 9-4 II	m: 10.35 kg	P_N : 150W-4P							
	U: 220 v	f_1 : 50HZ							
	I_N : 1.6 A	IP: IP20							
工况点	风机转速 n (r/min)	125Hz	250Hz	500Hz	1kHz	2kHz	4kHz	8kHz	L_{wa} dB (A)
A	1239	54.7	62.0	64.4	67.1	65.8	63.9	54.2	72.1
B	1191	52.5	61.8	64.2	67.3	65.7	63.6	53.9	72.0
C	1102	52.7	60.5	63.6	67.3	65.8	63.9	53.4	71.9
D	1029	49.9	59.9	63.1	67.4	65.7	63.9	53.1	71.7
E	951	49.9	60.3	63.4	67.5	66.0	64.4	54.0	72.0
F	851	50.7	61.3	64.2	67.8	66.2	64.8	54.6	72.5

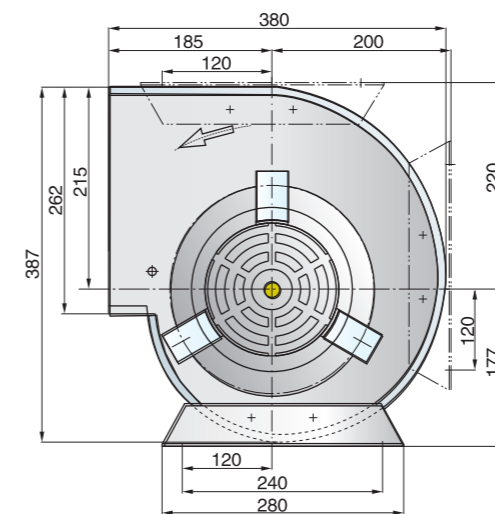
外形及安装尺寸



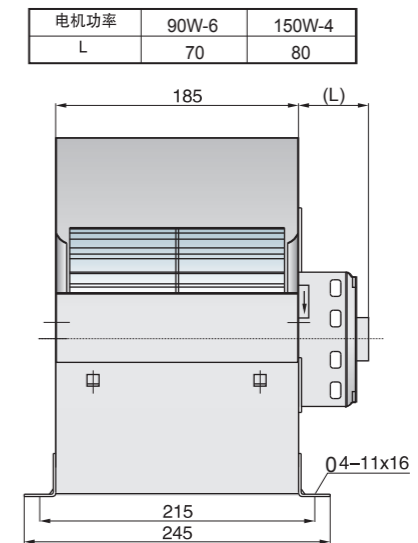
Overall Size



外形及安装尺寸

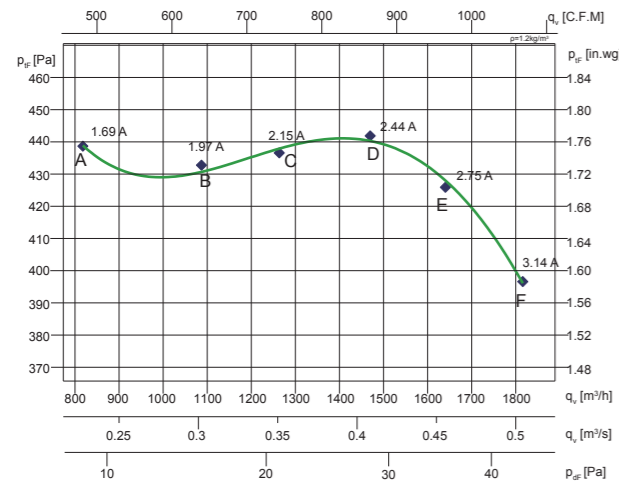


Overall Size



技术参数

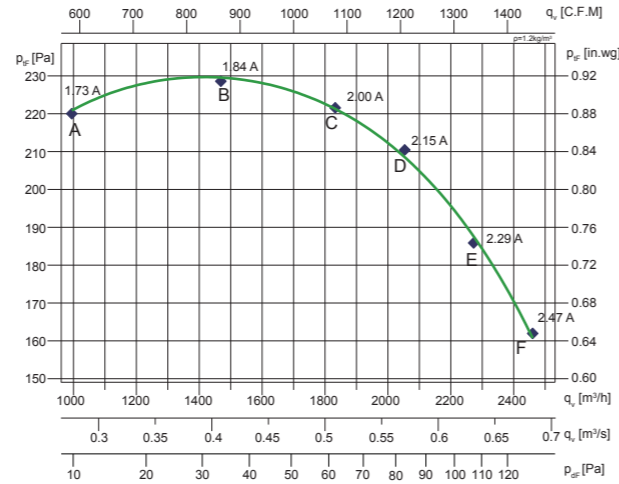
SYZ 9-7 I 375W-4



Type: SYZ 9-7 I		m: 14.85 kg		P _N : 375W-4P					
		U: 220 v		f _i : 50HZ					
		I _N : 4.2 A		IP: IP20					
工况点	风机转速 n(r/min)	125Hz	250Hz	500Hz	1kHz	2kHz	4kHz	8kHz	L _w dB (A)
A	1427	63.0	68.9	67.0	67.7	65.8	64.4	56.6	74.4
B	1401	61.9	68.4	67.5	68.5	66.4	65.9	58.5	74.8
C	1380	60.6	67.3	66.5	69.2	66.6	66.4	59.4	74.6
D	1348	58.2	66.1	67.1	69.4	67.2	67.5	60.6	74.9
E	1307	56.0	64.6	66.3	70.0	67.7	68.4	61.4	75.0
F	1253	55.8	64.5	66.4	70.8	68.5	69.4	62.6	75.7

Technical Data

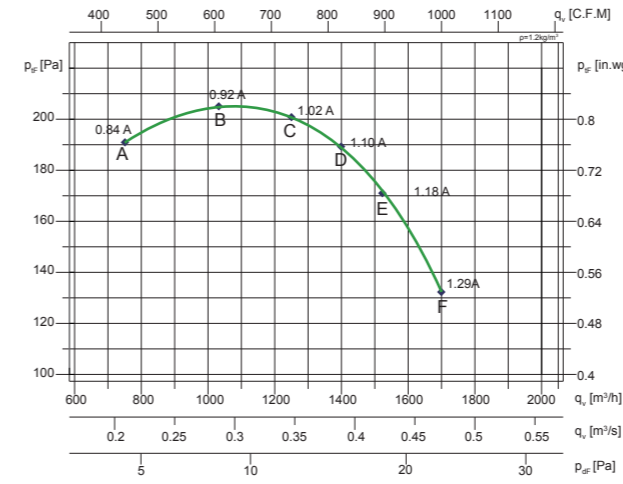
SYZ 9-7 I 375W-6



Type: SYZ 9-7 I		m: 15.7 kg		P _N : 375W-6P					
		U: 220 v		f _i : 50HZ					
		I _N : 3.5 A		IP: IP20					
工况点	风机转速 n(r/min)	125Hz	250Hz	500Hz	1kHz	2kHz	4kHz	8kHz	L _w dB (A)
A	969	55.0	63.4	59.3	61.7	60.1	57.8	48.7	68.2
B	952	53.0	60.1	61.4	64.5	62.9	62.7	53.7	69.8
C	937	53.2	61.2	64.0	67.6	65.9	66.9	59.2	72.9
D	924	56.1	63.3	65.5	69.4	68.0	69.2	62.0	74.9
E	909	58.5	65.5	66.8	71.0	69.9	71.0	64.4	76.7
F	895	59.8	66.6	67.8	72.2	71.1	72.5	66.1	78.0

技术参数

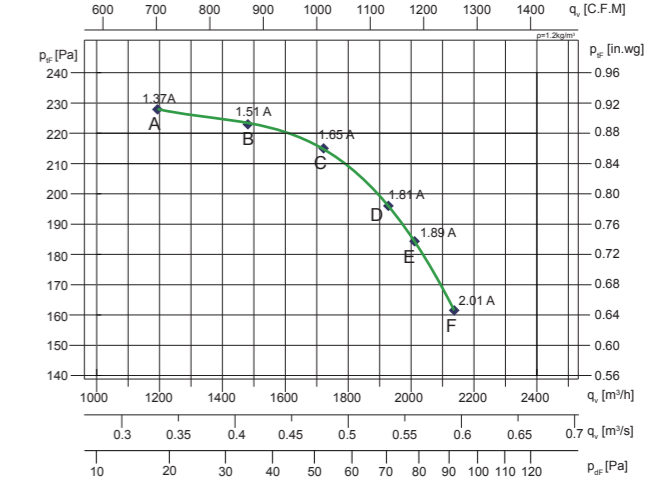
SYZ 9-7 I 150W-6



Type: SYZ 9-7 I		m: 12.85 kg		P _N : 150W-6P					
		U: 220 v		f _i : 50HZ					
		I _N : 1.4 A		IP: IP20					
工况点	风机转速 n(r/min)	125Hz	250Hz	500Hz	1kHz	2kHz	4kHz	8kHz	L _w dB (A)
A	931	52.1	58.6	57.6	59.4	57.9	54.7	44.7	65.2
B	906	50.1	58.6	58.2	60.4	58.4	56.4	56.4	65.8
C	876	50.1	59.5	59.6	61.9	60.2	59.2	59.2	67.3
D	852	52.5	59.8	61.1	63.4	61.6	61.1	61.1	68.7
E	823	54.5	62.3	62.6	64.6	62.9	63.0	63.0	70.4
F	771	56.1	61.8	63.0	65.0	63.6	64.1	64.1	70.9

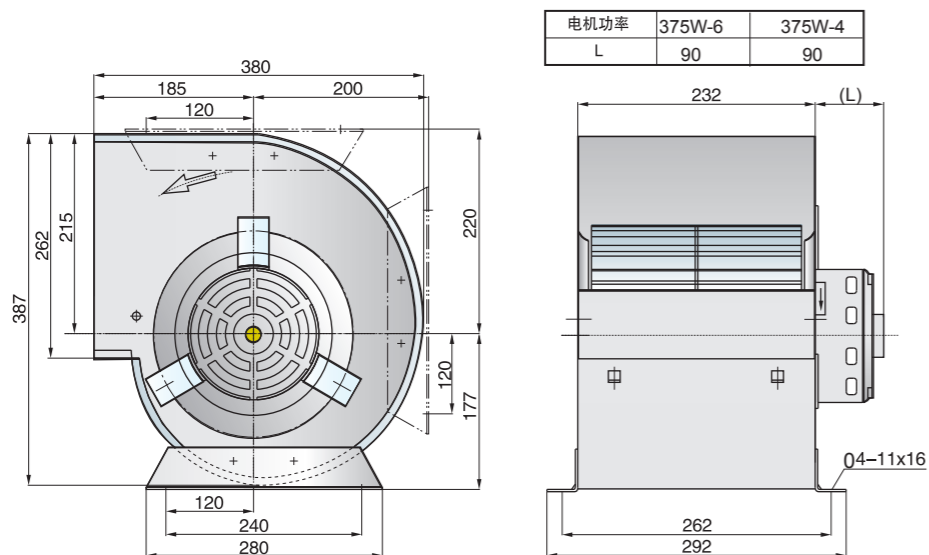
Technical Data

SYZ 9-7 I 250W-6



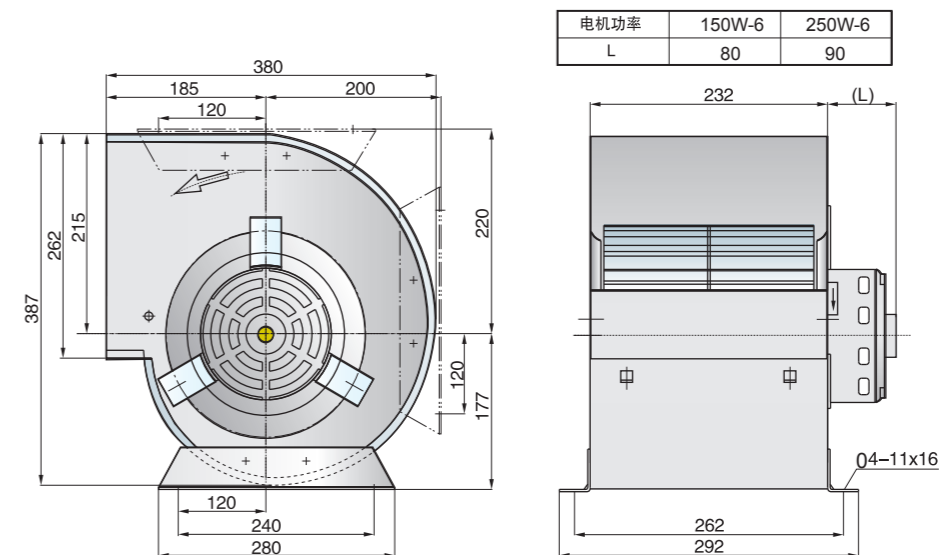
Type: SYZ 9-7 I		m: 13.25 kg		P _N : 250W-6P					
		U: 220 v		f _i : 50HZ					
		I _N : 2.1 A		IP: IP20					
工况点	风机转速 n(r/min)	125Hz	250Hz	500Hz	1kHz	2kHz	4kHz	8kHz	L _w dB (A)
A	956	54.3	62.2	60.9	64.3	62.2	61.1	52.1	69.5
B	941	52.8	59.7	61.7	64.7	63.1	62.9	54.2	69.9
C	924	55.2	61.3	63.6	67.0	65.3	65.6	57.7	72.2
D	908	58.8	63.8	65.1	69.0	67.2	67.8	60.6	74.3
E	900	58.6	64.5	65.6	69.7	67.8	68.5	61.6	74.9
F	885	58.5	65.3	66.1	70.1	68.7	69.6	62.8	75.7

外形及安装尺寸



Overall Size

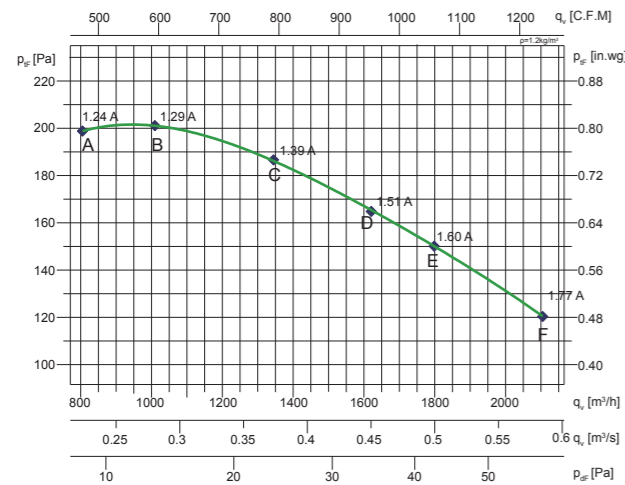
外形及安装尺寸



Overall Size

技术参数

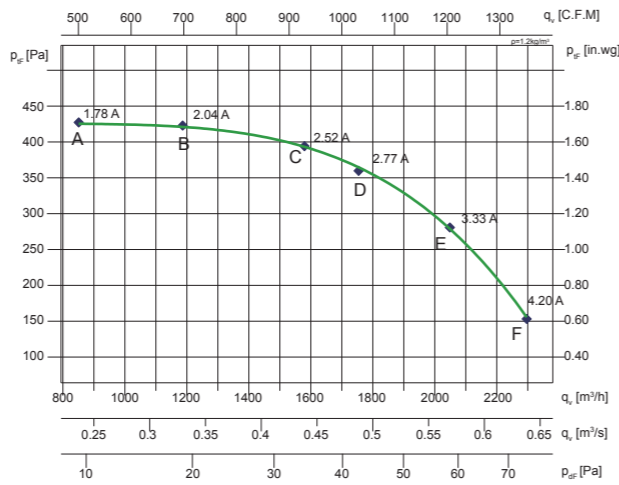
SYZ 9-7 III 250W-6



Type: SYZ 9-7 III		m: 11.7 kg	P _N : 250W-6P						
		U: 220 v	f _i : 50HZ						
		I _N : 2.1 A	IP: IP20						
工况点	风机转速 n(r/min)	125Hz	250Hz	500Hz	1kHz	2kHz	4kHz	8kHz	L _{WA} dB (A)
A	970	59.3	59.4	59.0	63.5	62.3	62.1	60.0	69.6
B	963	58.7	59.6	59.5	64.0	62.3	61.5	58.6	69.5
C	950	57.2	60.4	61.1	65.3	63.1	61.5	55.2	70.1
D	939	57.2	62.1	63.0	67.2	64.7	63.6	57.9	71.8
E	930	57.8	63.2	64.3	68.4	66.2	65.3	59.8	73.2
F	915	56.3	65.0	66.7	71.1	68.7	68.1	63.0	75.7

Technical Data

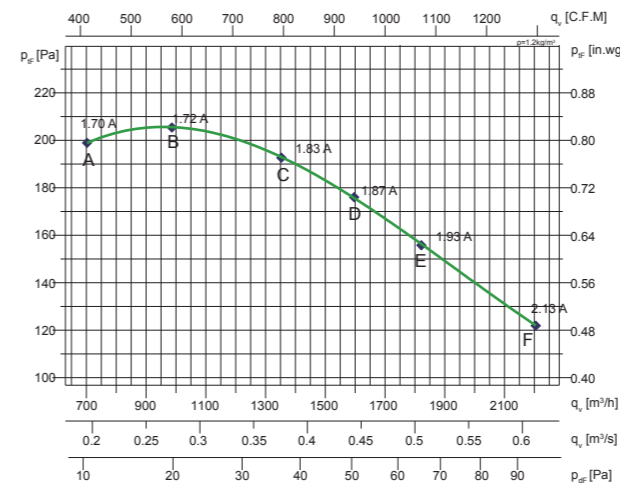
SYZ 9-7 III 375W-4



Type: SYZ 9-7 III		m: 13.3 kg	P _N : 375W-4P						
		U: 220 v	f _i : 50HZ						
		I _N : 4.2 A	IP: IP20						
工况点	风机转速 n(r/min)	125Hz	250Hz	500Hz	1kHz	2kHz	4kHz	8kHz	L _{WA} dB (A)
A	1420	64.7	70.1	68.4	70.3	68.9	66.6	60.8	76.5
B	1392	63.2	69.0	66.7	69.7	68.7	67.0	61.7	75.8
C	1326	60.7	67.7	67.3	70.6	69.7	68.4	63.7	76.3
D	1294	60.9	67.1	67.5	71.3	70.2	69.3	64.8	76.8
E	1200	61.2	68.2	68.5	72.5	71.0	70.4	66.0	77.8
F	1108	59.5	67.4	68.9	73.3	71.3	70.5	66.2	78.1

技术参数

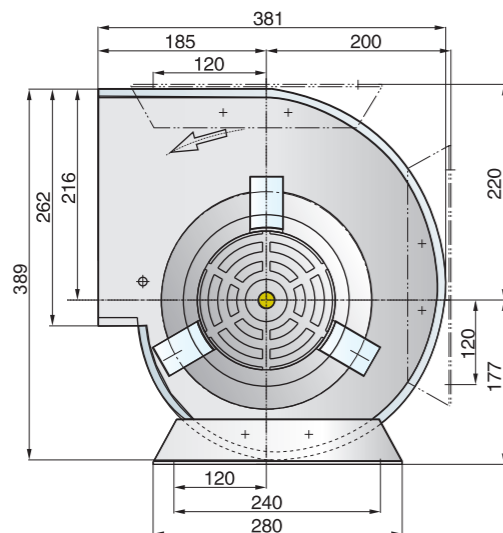
SYZ 9-7 III 375W-6



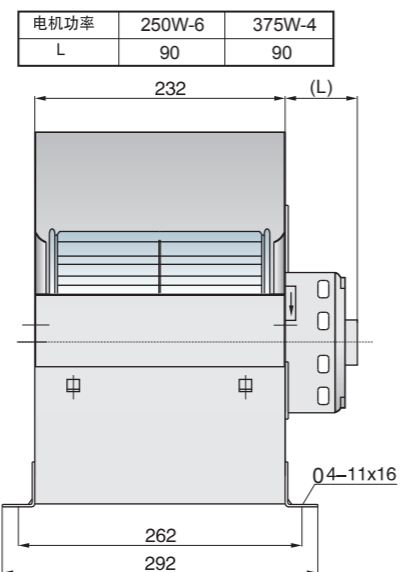
Type: SYZ 9-7 III		m: 8.85 kg	P _N : 375W-6P						
		U: 220 v	f _i : 50HZ						
		I _N : 1.1 A	IP: IP20						
工况点	风机转速 n(r/min)	125Hz	250Hz	500Hz	1kHz	2kHz	4kHz	8kHz	L _{WA} dB (A)
A	977	54.1	60.5	58.9	61.9	58.4	55.4	48.4	66.8
B	970	53.1	60.1	58.8	62.8	60.0	57.4	50.7	67.4
C	960	53.1	60.6	61.0	65.6	62.8	61.1	55.4	69.9
D	951	55.0	61.8	63.1	66.8	64.8	63.5	58.2	71.6
E	944	55.9	63.5	65.0	68.8	66.7	65.6	60.6	73.6
F	932	58.6	66.0	67.7	71.9	70.0	69.2	64.5	76.8

Technical Data

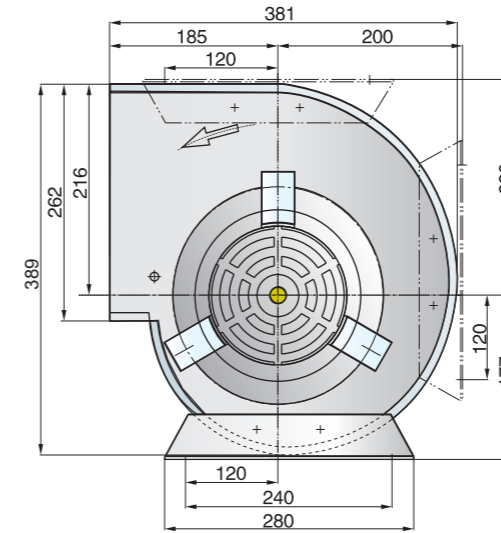
外形及安装尺寸



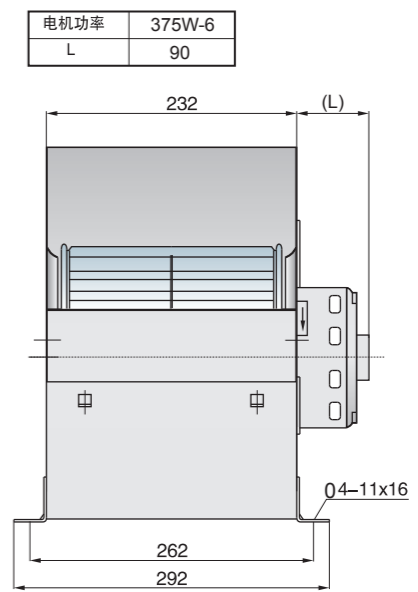
Overall Size



外形及安装尺寸

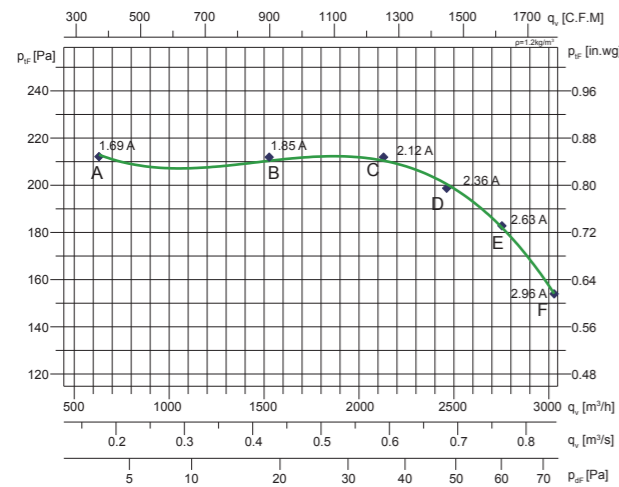


Overall Size



技术参数

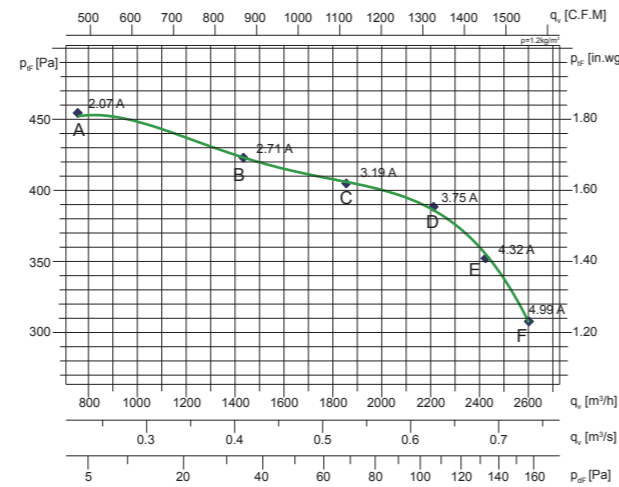
SYZ 9-9 I 375w-6



Type: SYZ 9-9 I	m: 16.55 kg	P_N : 375W-6P							
	U: 220 v	f_1 : 50HZ							
	I_N : 3.5 A	IP: IP20							
工况点	风机转速 n(r/min)	125Hz	250Hz	500Hz	1kHz	2kHz	4kHz	8kHz	L_{wa} dB (A)
A	975	56.9	67.5	61.7	64.4	60.9	59.8	48.9	71.0
B	950	54.1	68.5	59.9	65.7	64.5	61.1	49.8	72.1
C	923	55.7	64.3	63.6	67.3	65.5	65.6	55.9	72.6
D	902	59.7	64.1	65.7	69.4	67.9	68.2	59.8	74.7
E	873	59.4	65.3	67.1	71.0	70.0	70.5	62.8	76.6
F	840	60.3	66.4	68.6	72.5	72.0	72.5	65.0	78.3

Technical Data

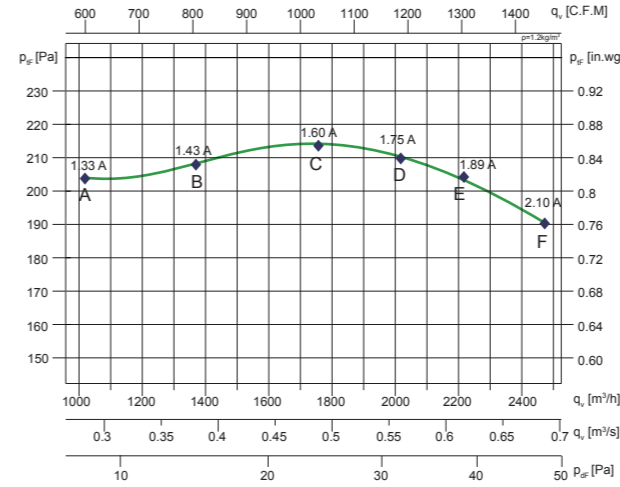
SYZ 9-9 I 450w-4



Type: SYZ 9-9 I	m: 16.75 kg	P_N : 450W-4P							
	U: 220 v	f_1 : 50HZ							
	I_N : 5.0 A	IP: IP20							
工况点	风机转速 n(r/min)	125Hz	250Hz	500Hz	1kHz	2kHz	4kHz	8kHz	L_{wa} dB (A)
A	1423	65.0	71.2	66.9	69.3	67.6	65.9	57.8	76.0
B	1371	64.1	70.5	66.5	69.9	68.4	66.7	58.5	76.1
C	1323	60.4	67.9	65.1	69.5	68.3	67.2	58.9	75.1
D	1261	59.4	67.6	66.7	71.1	69.8	69.1	60.7	76.3
E	1187	59.6	67.3	67.6	71.9	70.4	70.2	62.2	77.0
F	1103	59.0	66.3	67.2	71.5	70.2	70.4	62.7	76.8

技术参数

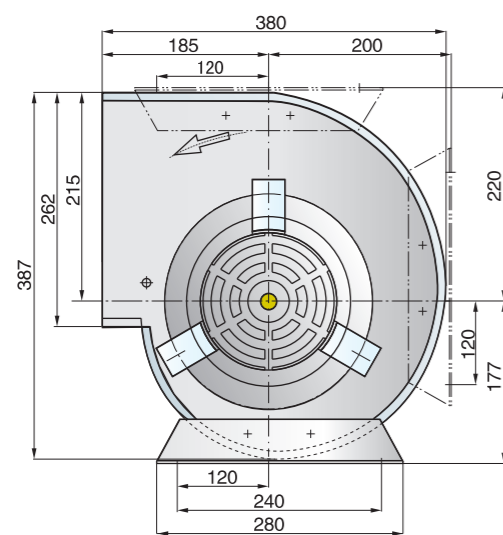
SYZ 9-9 I 250w-6



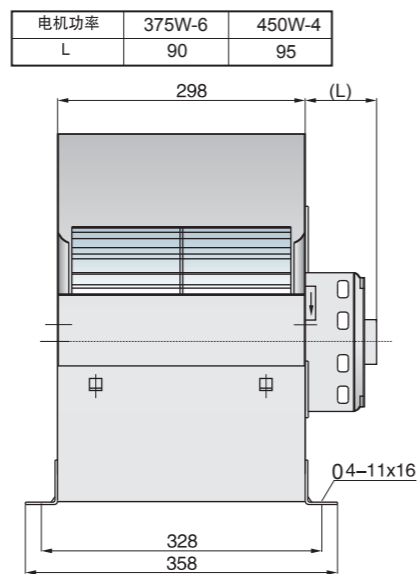
Type: SYZ 9-9 I	m: 14.10 kg	P_N : 250W-6P							
	U: 220 v	f_1 : 50HZ							
	I_N : 2.1 A	IP: IP20							
工况点	风机转速 n(r/min)	125Hz	250Hz	500Hz	1kHz	2kHz	4kHz	8kHz	L_{wa} dB (A)
A	959	56.4	61.8	58.5	62.0	59.5	56.1	48.3	67.5
B	947	54.2	59.4	57.9	62.1	60.4	57.6	48.4	67.1
C	928	54.3	60.4	60.7	64.1	62.7	61.4	51.3	69.3
D	914	53.9	60.4	62.0	65.3	64.2	64.0	54.1	70.7
E	899	54.4	61.3	63.1	66.5	65.3	65.5	56.5	71.9
F	875	57.6	62.4	64.7	67.9	67.1	67.5	59.6	73.6

Technical Data

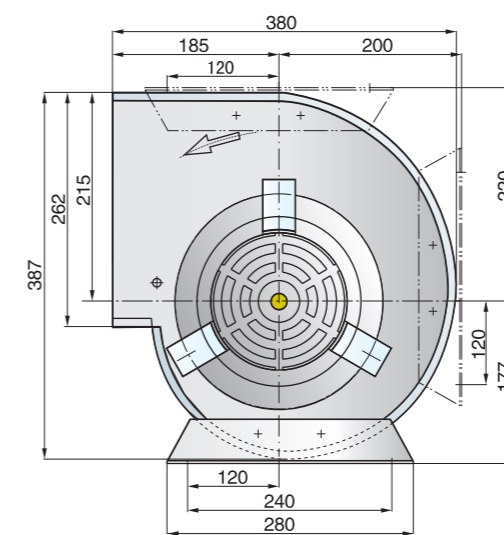
外形及安装尺寸



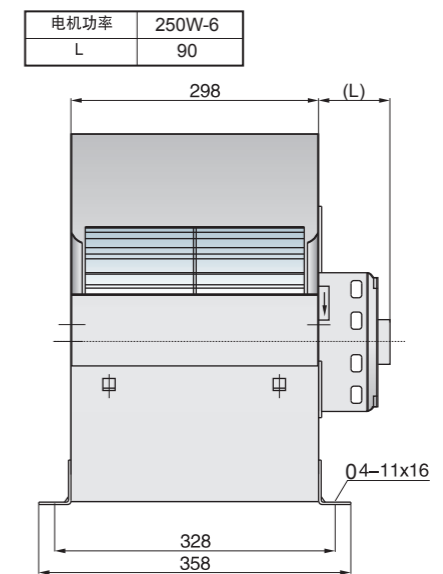
Overall Size



外形及安装尺寸

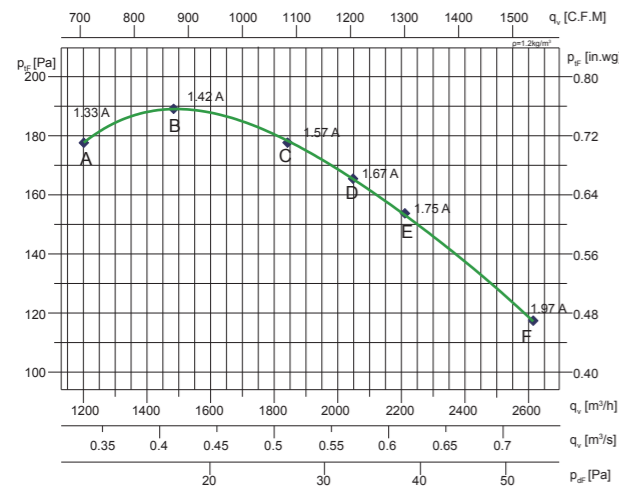


Overall Size



技术参数

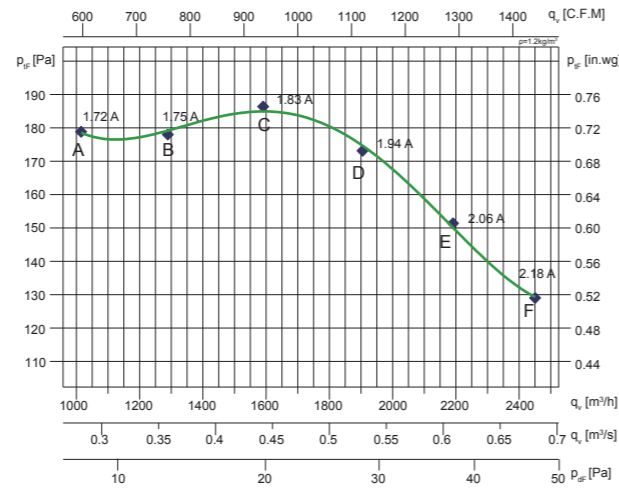
SYZ 9-9 III 250w-6



Type: SYZ 9-9 III		m: 12.3 kg	P_N : 250W-6P						
		U: 220 v	f_1 : 50HZ						
		I_N : 2.1 A	IP: IP20						
工况点	风机转速 n(r/min)	125Hz	250Hz	500Hz	1kHz	2kHz	4kHz	8kHz	L_{wva} dB (A)
A	956	57.3	60.5	58.7	60.9	58.9	56.4	50.3	67.0
B	948	55.6	60.4	59.1	62.0	60.7	58.5	52.7	67.7
C	934	55.8	60.9	61.5	64.2	62.9	61.4	55.9	69.7
D	927	57.5	62.7	63.2	65.7	64.7	63.3	58.0	71.5
E	918	57.8	63.4	64.4	66.8	65.8	64.6	59.4	72.5
F	895	59.6	65.8	66.8	69.6	68.9	68.1	62.4	75.4

Technical Data

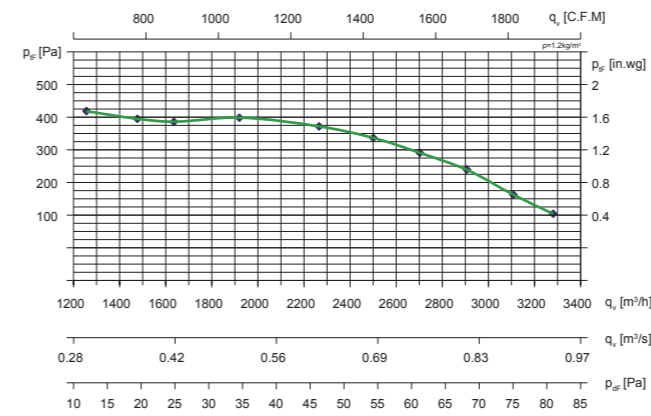
SYZ 9-9 III 375w-6



Type: SYZ 9-9 III		m: 14.75 kg	P_N : 375W-6P						
		U: 220 v	f_1 : 50HZ						
		I_N : 3.5 A	IP: IP20						
工况点	风机转速 n(r/min)	125Hz	250Hz	500Hz	1kHz	2kHz	4kHz	8kHz	L_{wva} dB (A)
A	967	60.8	66.2	61.3	61.8	59.4	57.5	50.6	69.9
B	961	60.3	65.5	61.0	62.3	60.3	58.7	52.8	69.8
C	953	58.7	63.6	61.6	64.3	63.8	61.7	55.6	70.6
D	942	59.1	64.2	63.6	65.8	64.4	63.2	58.0	71.8
E	930	60.4	65.0	65.7	68.2	66.9	65.8	60.7	73.9
F	920	60.8	65.9	67.2	70.1	68.8	68.0	62.9	75.6

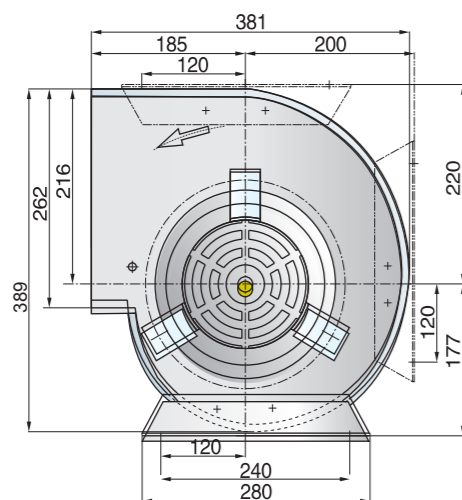
技术参数

SYZ 9-9 III 450w-4

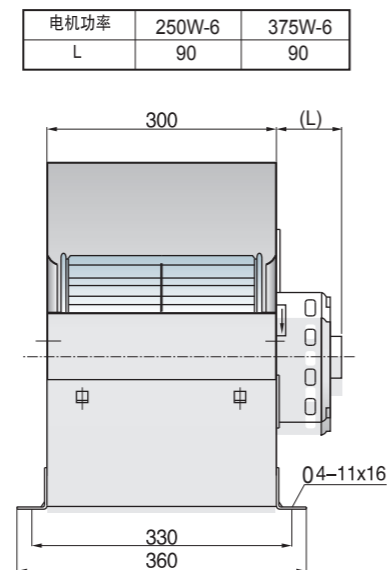


Type: SYZ 9-9 III		m: 14.95 kg	P_N : 450W-4P						
		U: 220 v	f_1 : 50HZ						
		I_N : 5.0 A	IP: IP20						
工况点	风机转速 n(r/min)	125Hz	250Hz	500Hz	1kHz	2kHz	4kHz	8kHz	L_{wva} dB (A)
A	1399	67.9	72.3	69.9	71.2	69.5	67.5	61.7	77.9
B	1368	67.7	71.4	68.6	70.1	68.7	67.1	62.1	77.1
C	1301	62.8	69.9	69.6	72.1	70.9	69.4	64.7	77.9
D	1258	62.9	71.4	70.5	73.6	71.7	70.5	65.8	79.0
E	1203	63.4	70.5	70.3	73.8	72.5	71.6	66.8	79.3
F	1040	63.4	72.4	71.8	76.1	73.9	73.3	68.4	81.1

外形及安装尺寸

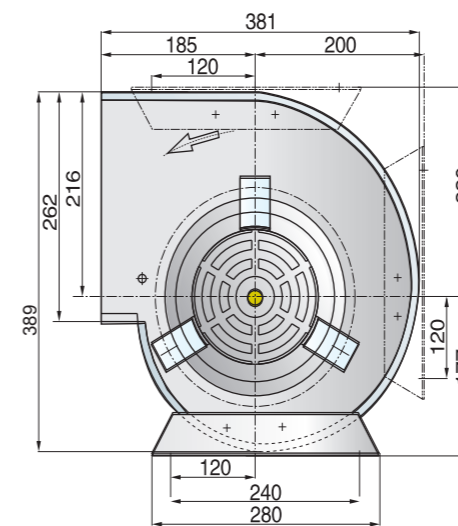


Overall Size

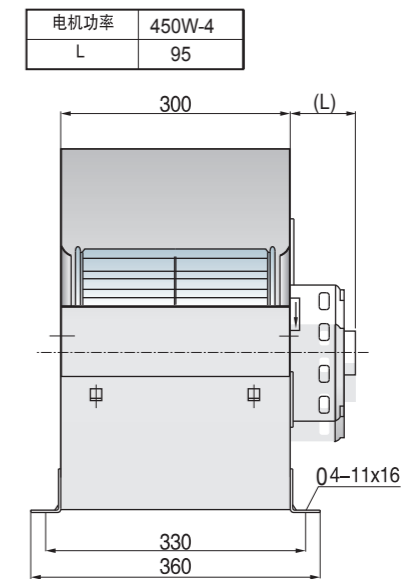


电机功率	250W-6	375W-6
L	90	90

外形及安装尺寸



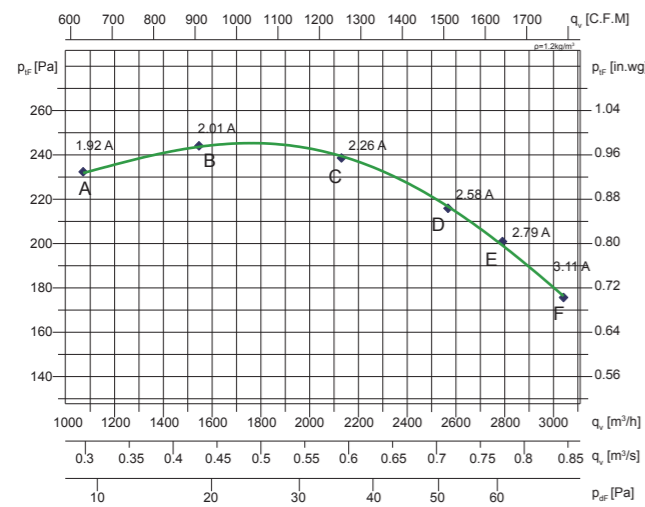
Overall Size



电机功率	450W-4
L	95

技术参数

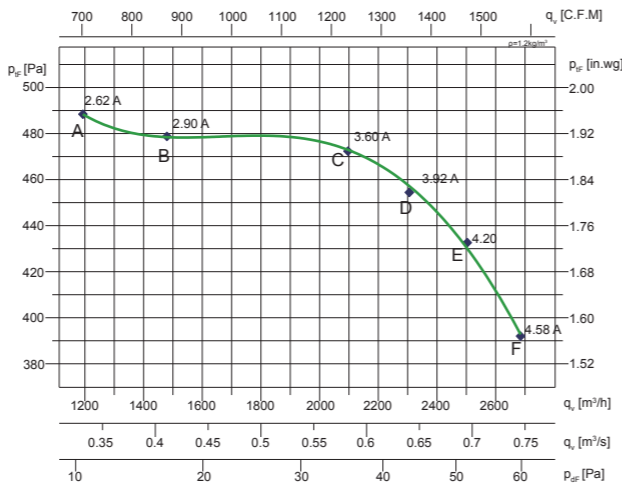
SYZ 10-8 I 375w-6



Type:	SYZ 10-8 I		m: 17.1 kg	P_N : 375W-6P					
			U: 220 v	f_1 : 50HZ					
			I_N : 3.5 A	IP: IP20					
工况点	风机转速 n(r/min)	125Hz	250Hz	500Hz	1kHz	2kHz	4kHz	8kHz	L_{wa} dB (A)
A	959	63.3	62.7	61.5	63.0	61.0	58.5	47.5	69.8
B	943	61.6	62.0	61.3	64.3	62.3	60.7	50.2	70.0
C	914	58.7	62.2	62.6	66.5	65.0	64.6	55.0	71.8
D	882	58.7	63.4	65.1	69.0	68.0	68.0	59.5	74.4
E	865	59.1	64.6	66.3	70.5	69.9	69.8	61.8	76.0
F	835	59.3	65.6	67.7	72.1	71.8	71.8	64.3	77.8

Technical Data

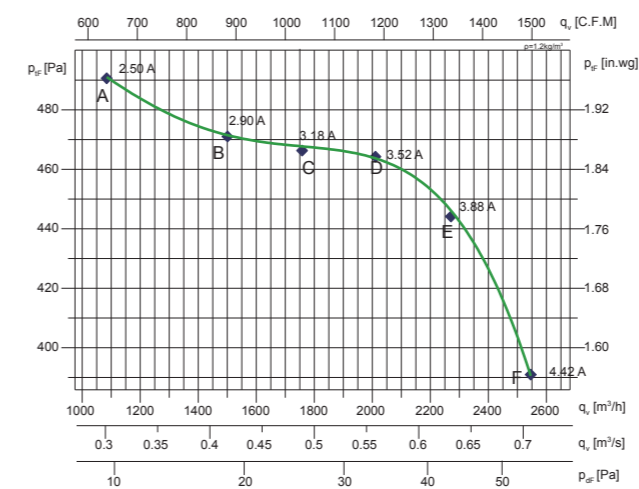
SYZ 10-8 I 550w-4



Type:	SYZ 10-8 I		m: 17.65 kg	P_N : 550W-4P					
			U: 220 v	f_1 : 50HZ					
			I_N : 4.9 A	IP: IP20					
工况点	风机转速 n(r/min)	125Hz	250Hz	500Hz	1kHz	2kHz	4kHz	8kHz	L_{wa} dB (A)
A	1396	66.6	71.5	68.1	70.8	69.2	68.3	60.5	77.3
B	1372	66.6	71.5	68.1	70.8	69.2	68.3	60.5	77.3
C	1301	60.3	68.2	66.1	72.0	69.8	69.6	62.2	76.8
D	1269	60.6	68.2	66.5	73.0	70.4	70.3	63.0	77.5
E	1225	60.1	68.1	66.7	72.7	70.5	70.6	63.3	77.5
F	1172	60.2	67.8	67.3	72.7	71.0	71.0	63.6	77.7

技术参数

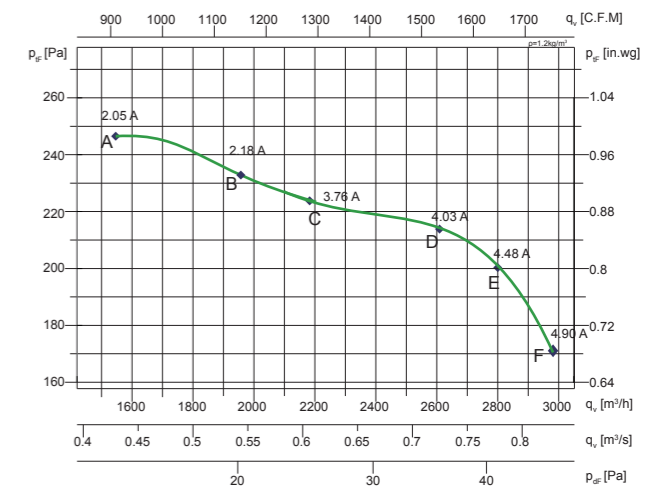
SYZ 10-8 II 550w-4



Type:	SYZ 10-8 II		m: 16.75 kg	P_N : 550W-4P					
			U: 220 v	f_1 : 50HZ					
			I_N : 4.9 A	IP: IP20					
工况点	风机转速 n(r/min)	125Hz	250Hz	500Hz	1kHz	2kHz	4kHz	8kHz	L_{wa} dB (A)
A	1405	65.0	70.8	68.6	70.4	68.0	67.3	59.3	76.6
B	1366	64.8	71.1	68.8	71.5	68.6	68.4	60.7	77.3
C	1342	61.9	68.9	66.8	71.3	68.6	69.0	61.6	76.5
D	1310	59.7	67.1	67.1	72.0	69.6	70.2	62.9	76.9
E	1252	58.5	66.3	67.2	73.1	70.5	71.3	64.2	77.6
F	1170	59.3	66.4	67.5	74.2	71.6	72.5	65.6	78.6

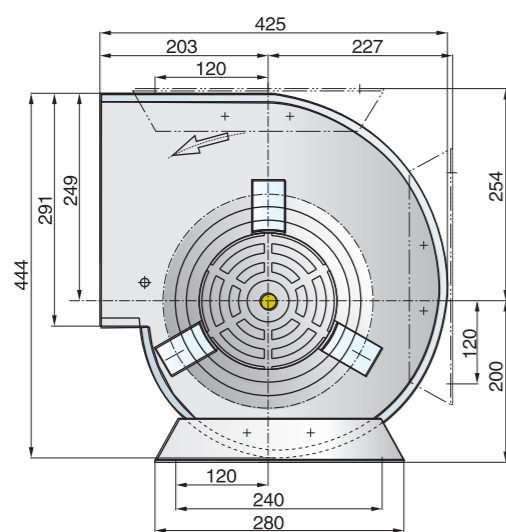
Technical Data

SYZ 10-8 II 375w-6

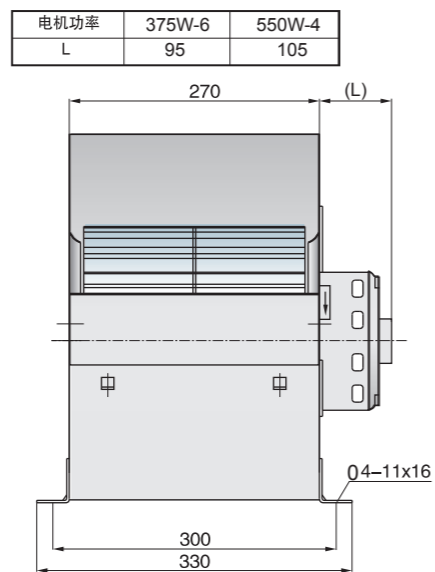


Type:	SYZ 10-8 II		m: 16.20 kg	P_N : 375W-6P					
			U: 220 v	f_1 : 50HZ					
			I_N : 3.5 A	IP: IP20					
工况点	风机转速 n(r/min)	125Hz	250Hz	500Hz	1kHz	2kHz	4kHz	8kHz	L_{wa} dB (A)
A	940	57.1	63.7	65.9	69.5	68.8	69.4	61.8	75.2
B	918	54.0	64.9	63.7	66.0	64.7	64.9	56.4	72.1
C	887	55.3	64.7	65.6	68.8	67.9	68.5	61.4	74.7
D	864	56.2	63.9	66.7	70.5	69.9	70.9	64.1	76.4
E	839	56.8	65.0	67.6	71.8	71.2	72.3	65.7	77.7
F	810	58.1	66.0	68.3	72.8	72.2	73.4	66.9	78.7

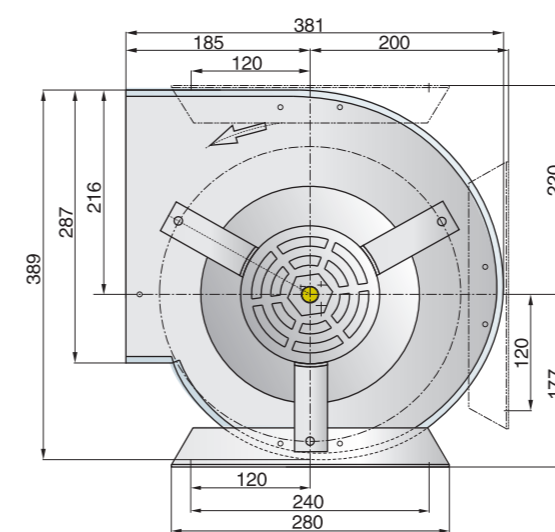
外形及安装尺寸



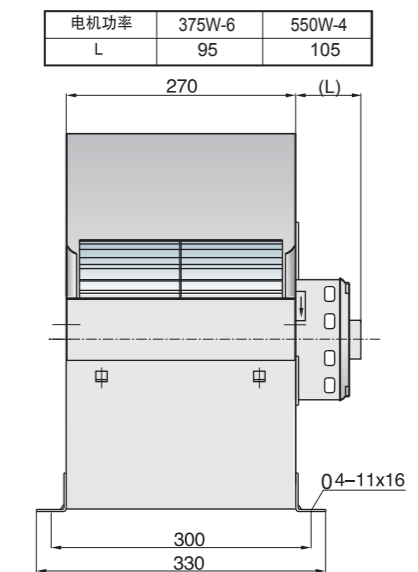
Overall Size



外形及安装尺寸

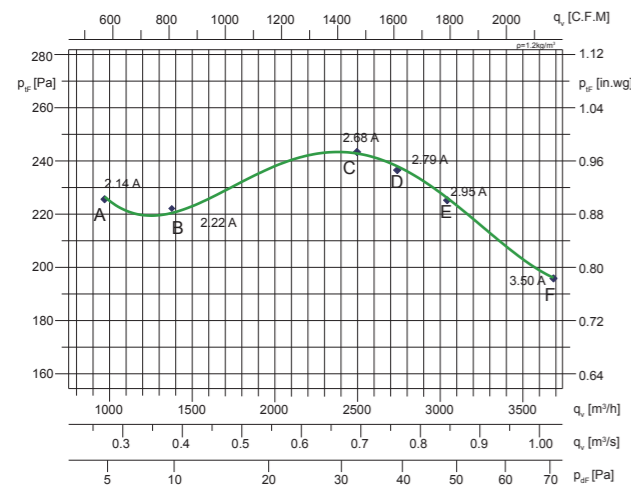


Overall Size



技术参数

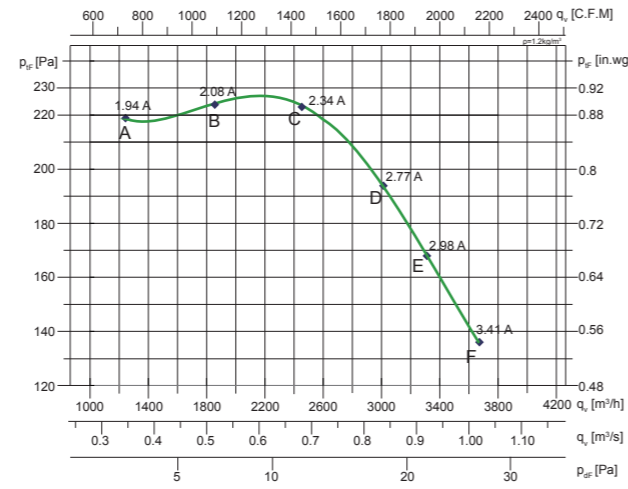
SYZ 10-10 I 450W-6



Type: SYZ 10-10 I	m: 18.3 kg	P _N : 450W-6P							
	U: 220 v	f _i : 50HZ							
	I _N : 3.5 A	IP: IP20							
工况点	风机转速 n(r/min)	125Hz	250Hz	500Hz	1kHz	2kHz	4kHz	8kHz	L _w dB (A)
A	975	60.7	70.6	62.1	62.4	60.5	57.9	48.7	72.5
B	968	60.8	68.1	61.8	63.6	62.1	59.7	50.7	71.5
C	944	58.7	63.2	62.6	66.6	65.9	64.4	57.2	72.1
D	937	59.1	64.0	62.2	66.2	65.3	63.6	56.4	71.8
E	927	59.9	65.2	65.2	69.5	69.0	67.7	61.6	75.0
F	898	63.0	68.3	68.9	73.7	72.9	71.5	65.7	78.9

Technical Data

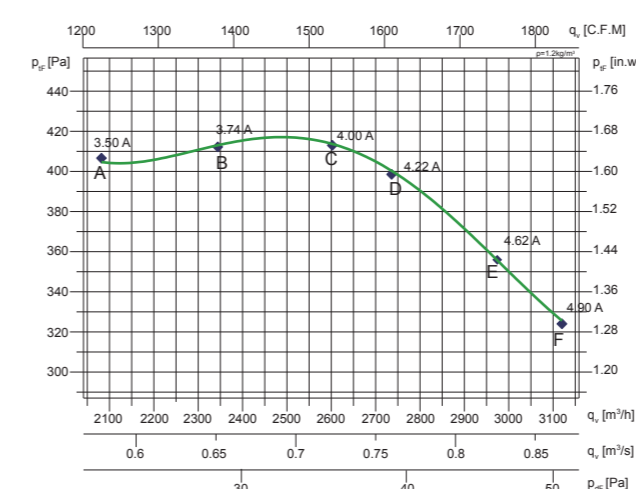
SYZ 10-10 I 375W-6



Type: SYZ 10-10 I	m: 18.1 kg	P _N : 375W-6P							
	U: 220 v	f _i : 50HZ							
	I _N : 3.5 A	IP: IP20							
工况点	风机转速 n(r/min)	125Hz	250Hz	500Hz	1kHz	2kHz	4kHz	8kHz	L _w dB (A)
A	950	66.6	64.6	62.5	64.0	62.0	62.1	57.4	71.9
B	934	65.5	62.7	60.9	64.4	62.8	61.8	54.5	71.2
C	905	62.7	62.6	62.1	66.1	65.1	63.6	56.6	71.9
D	860	62.4	64.5	65.2	69.4	68.8	67.2	61.5	74.9
E	838	63.2	65.8	66.5	70.7	70.3	68.7	63.0	76.2
F	788	63.8	67.9	68.8	72.7	72.6	70.6	64.9	78.3

技术参数

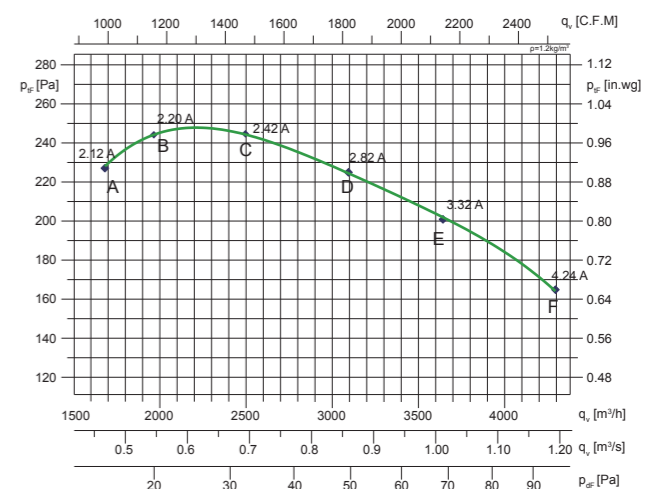
SYZ 10-10 I 550W-4



Type: SYZ 10-10 I	m: 18.75 kg	P _N : 550W-4P							
	U: 220 v	f _i : 50HZ							
	I _N : 4.9 A	IP: IP20							
工况点	风机转速 n(r/min)	125Hz	250Hz	500Hz	1kHz	2kHz	4kHz	8kHz	L _w dB (A)
A	1314	63.5	71.3	68.7	69.4	68.1	66.2	59.4	76.0
B	1287	60.6	68.6	70.8	66.6	65.7	63.5	55.8	75.0
C	1242	58.1	66.3	61.9	64.5	63.4	61.1	53.1	71.1
D	1207	56.7	63.6	60.5	63.6	62.4	60.1	52.1	69.6
E	1145	52.9	59.5	58.8	62.4	61.1	58.5	50.1	67.5
F	1092	51.1	57.0	60.3	60.6	59.6	56.9	48.3	66.4

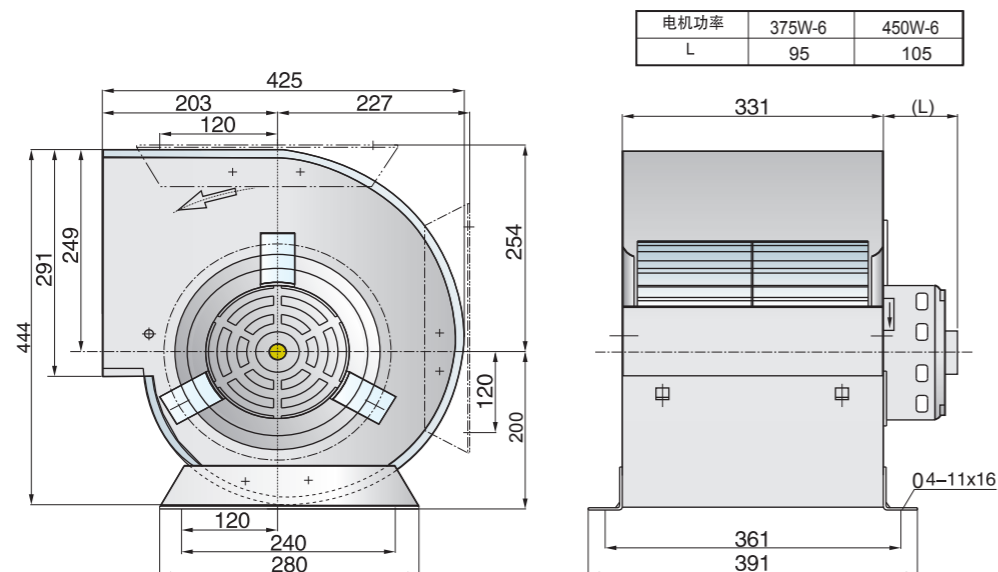
Technical Data

SYZ 10-10 I 550W-6



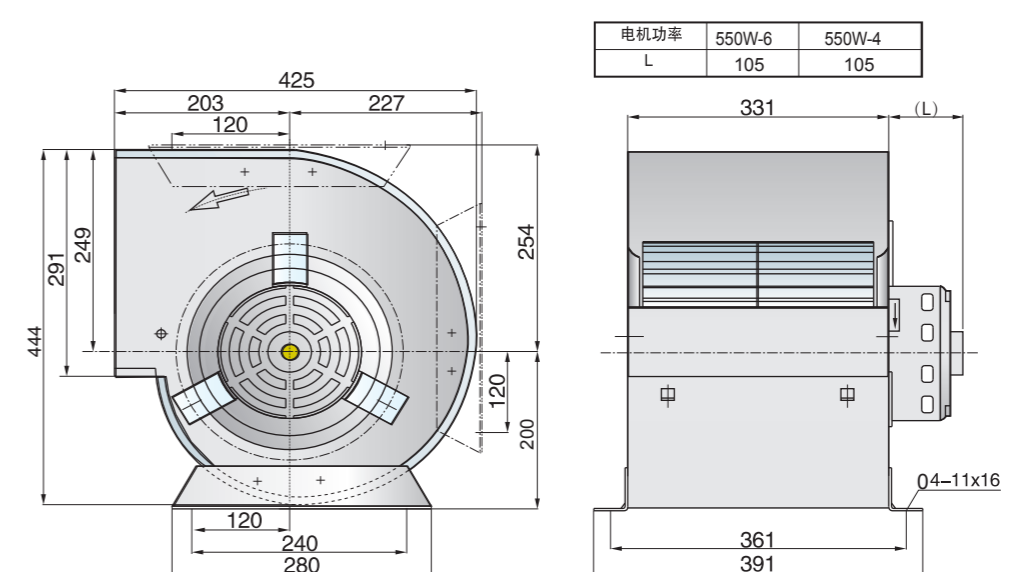
Type: SYZ 10-10 I	m: 19.45 kg	P _N : 550W-6P							
	U: 220 v	f _i : 50HZ							
	I _N : 4.7 A	IP: IP20							
工况点	风机转速 n(r/min)	125Hz	250Hz	500Hz	1kHz	2kHz	4kHz	8kHz	L _w dB (A)
A	961	66.0	65.6	64.9	75.6	69.0	72.0	72.1	79.4
B	955	66.0	64.7	64.4	72.8	68.9	71.3	71.0	77.9
C	940	61.7	64.2	70.7	69.6	67.3	67.6	66.9	76.1
D	920	60.7	65.7	66.0	72.0	69.7	68.9	65.5	76.6
E	887	63.0	68.4	69.1	74.9	72.9	72.3	68.9	79.6
F	832	69.1	72.0	72.9	77.9	77.2	77.1	75.1	83.8

外形及安装尺寸



Overall Size

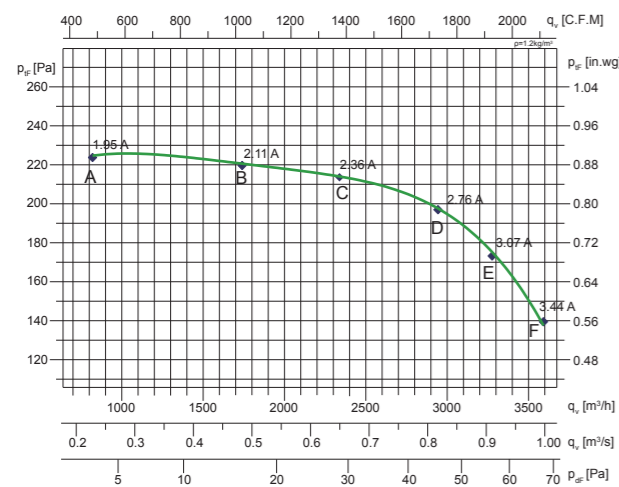
外形及安装尺寸



Overall Size

技术参数

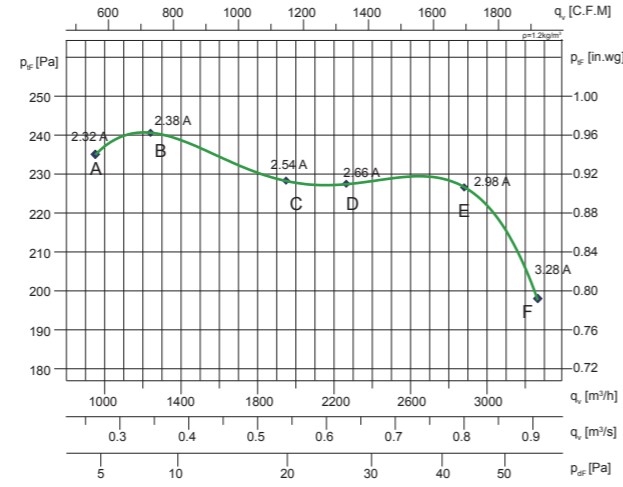
SYZ 10-10 II 375w-6



Type: SYZ 10-10 II	m: 16.5 kg	P_N : 375W-6P							
	U: 220 v	f_1 : 50HZ							
	I_N : 3.5 A	IP: IP20							
工况点	风机转速 n(r/min)	125Hz	250Hz	500Hz	1kHz	2kHz	4kHz	8kHz	L_{WA} dB (A)
A	964	60.3	67.6	63.0	64.6	62.2	61.0	52.3	71.7
B	936	58.0	67.4	63.0	66.2	66.3	63.9	54.6	72.8
C	908	56.9	64.9	64.6	69.0	68.2	66.6	58.6	74.2
D	870	57.3	65.8	66.1	71.5	71.2	70.0	61.9	76.7
E	836	58.0	67.0	67.5	72.5	73.1	72.1	63.9	78.3
F	805	59.5	68.3	68.8	73.6	74.6	74.2	65.6	79.9

Technical Data

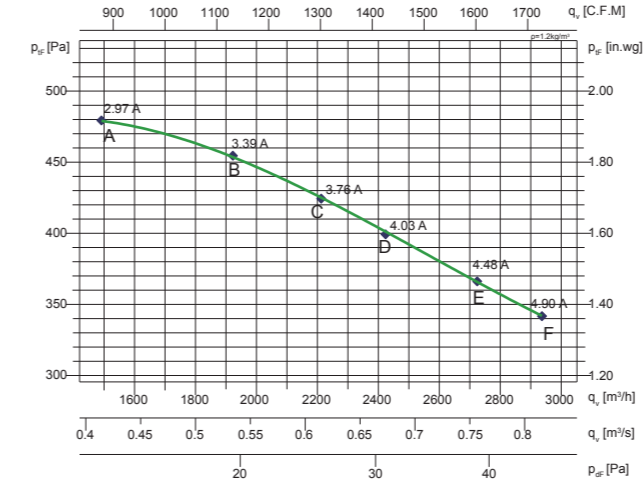
SYZ 10-10 II 450w-6



Type: SYZ 10-10 II	m: 17.25 kg	P_N : 450W-6P							
	U: 220 v	f_1 : 50HZ							
	I_N : 3.7 A	IP: IP20							
工况点	风机转速 n(r/min)	125Hz	250Hz	500Hz	1kHz	2kHz	4kHz	8kHz	L_{WA} dB (A)
A	976	59.3	75.8	61.8	64.0	61.7	58.2	48.2	76.6
B	971	59.2	76.2	62.0	64.6	62.5	59.2	49.7	77.0
C	956	57.5	75.0	62.2	67.1	66.0	63.8	55.7	76.6
D	949	56.2	72.3	63.4	68.1	67.8	65.8	57.9	75.6
E	929	57.0	69.5	65.9	71.6	71.0	69.7	61.8	77.1
F	910	58.5	67.9	67.5	73.5	73.1	72.3	64.2	78.8

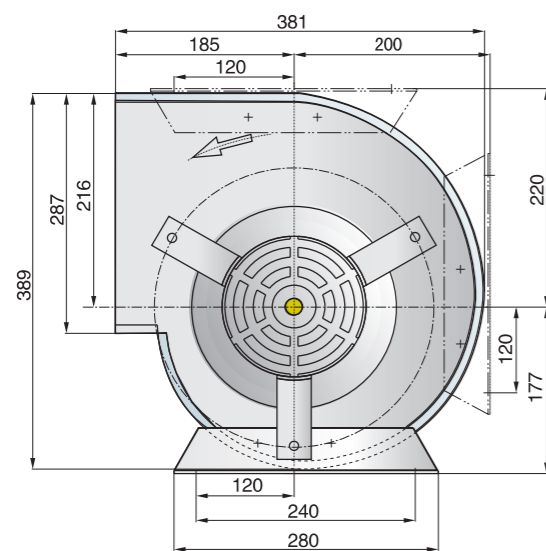
技术参数

SYZ 10-10 II 550w-4

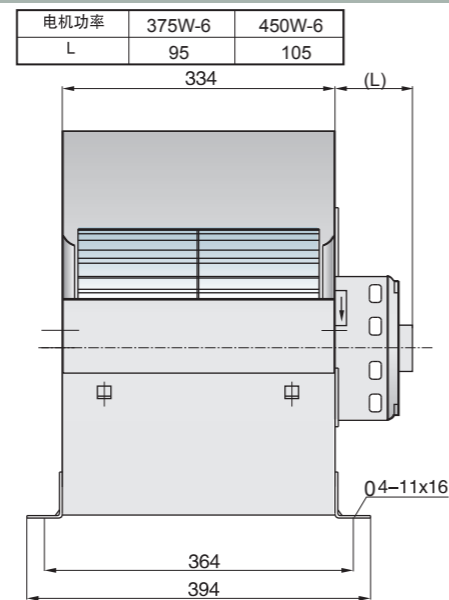


Type: SYZ 10-10 II	m: 17.7 kg	P_N : 550W-4P							
	U: 220 v	f_1 : 50HZ							
	I_N : 4.9 A	IP: IP20							
工况点	风机转速 n(r/min)	125Hz	250Hz	500Hz	1kHz	2kHz	4kHz	8kHz	L_{WA} dB (A)
A	1370	53.5	58.7	61.3	66.2	67.7	62.6	53.3	71.6
B	1327	62.4	70.8	68.2	71.1	70.7	68.9	61.3	77.3
C	1286	61.1	69.4	66.3	70.5	70.4	69.3	62.0	76.7
D	1250	59.4	68.6	65.7	70.7	70.4	69.6	62.4	76.6
E	1203	57.8	67.4	65.8	71.8	70.7	70.2	63.2	76.9
F	1152	56.8	66.7	65.8	71.1	70.9	70.5	63.5	76.8

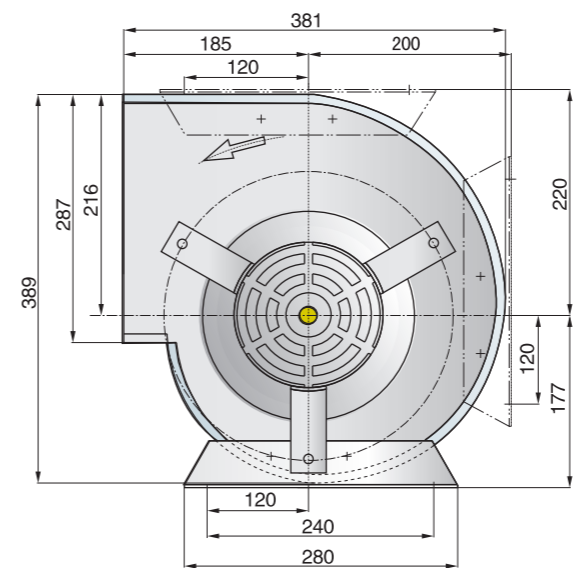
外形及安装尺寸



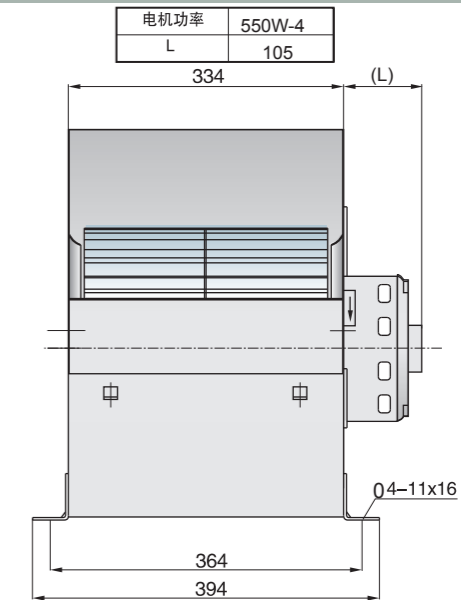
Overall Size



外形及安装尺寸

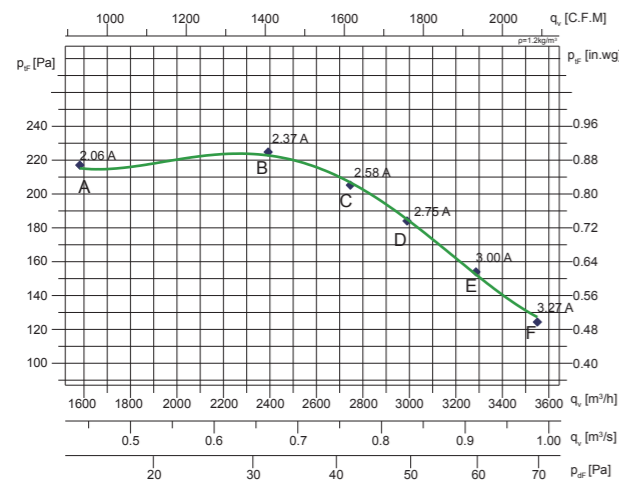


Overall Size



技术参数

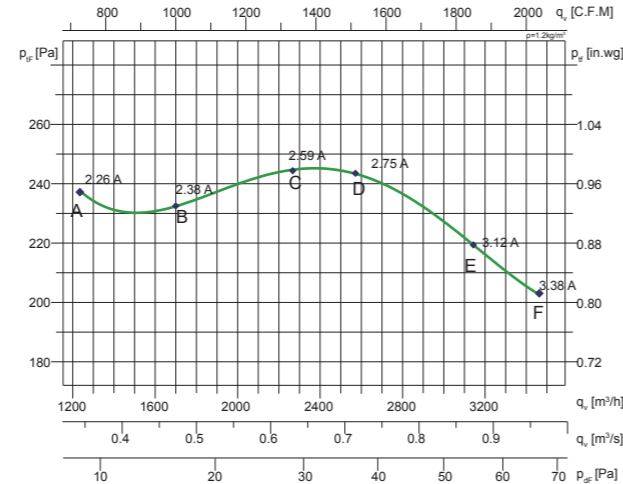
SYZ 10-10 III 375w-6



Type:	m: 15.4 kg	P _N : 375W-6P							
SYZ 10-10 III	U: 220 v	f _i : 50HZ							
	I _N : 3.5 A	IP: IP20							
工况点	风机转速 n(r/min)	125Hz	250Hz	500Hz	1kHz	2kHz	4kHz	8kHz	L _w dB (A)
A	936	60.4	67.0	63.3	66.2	64.5	61.7	53.1	72.3
B	901	58.1	66.9	63.6	67.9	66.4	64.5	59.5	73.4
C	881	58.8	67.1	64.7	68.4	67.1	64.7	57.8	73.9
D	865	58.5	67.6	66.1	69.5	68.5	66.1	59.6	75.0
E	838	61.0	69.4	67.4	70.8	70.4	67.7	61.4	76.6
F	811	61.8	70.2	69.5	72.5	71.9	69.3	63.2	78.1

Technical Data

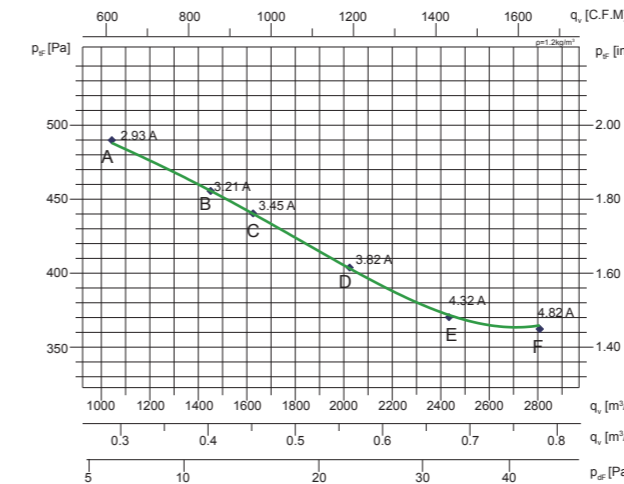
SYZ 10-10 III 450w-6



Type:	m: 16.25 kg	P _N : 450W-6P							
SYZ 10-10 III	U: 220 v	f _i : 50HZ							
	I _N : 3.7 A	IP: IP20							
工况点	风机转速 n(r/min)	125Hz	250Hz	500Hz	1kHz	2kHz	4kHz	8kHz	L _w dB (A)
A	967	65.3	69.8	66.0	66.8	64.6	62.3	53.9	74.2
B	956	64.6	70.5	65.0	67.0	64.8	62.3	54.7	74.4
C	943	61.3	69.3	64.5	67.9	66.1	63.9	56.9	74.1
D	934	60.8	68.0	65.0	68.7	67.1	65.1	58.2	74.3
E	912	60.2	68.2	67.0	71.1	69.8	67.6	61.4	76.3
F	900	61.9	70.8	68.7	72.5	71.5	69.4	63.3	78.0

技术参数

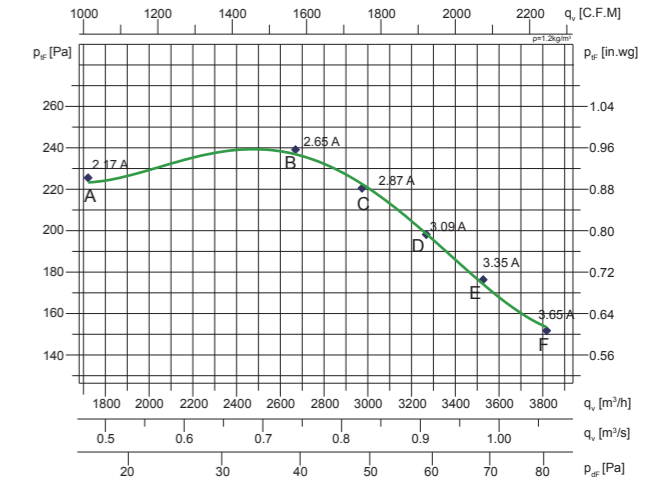
SYZ 10-10 III 550w-4



Type:	m: 16.7 kg	P _N : 550W-4P							
SYZ 10-10 III	U: 220 v	f _i : 50HZ							
	I _N : 4.9 A	IP: IP20							
工况点	风机转速 n(r/min)	125Hz	250Hz	500Hz	1kHz	2kHz	4kHz	8kHz	L _w dB (A)
A	1370	69.6	76.3	72.4	74.1	73.2	71.0	64.4	81.2
B	1345	69.2	75.6	70.8	73.1	72.1	69.7	63.5	80.2
C	1314	68.8	76.2	72.0	73.8	72.9	70.5	63.9	80.9
D	1273	67.9	74.4	69.9	72.6	71.5	69.0	62.9	79.3
E	1198	64.8	72.2	67.8	72.0	70.7	68.4	62.4	77.9
F	1121	63.4	71.1	67.4	72.0	71.0	68.8	62.5	77.6

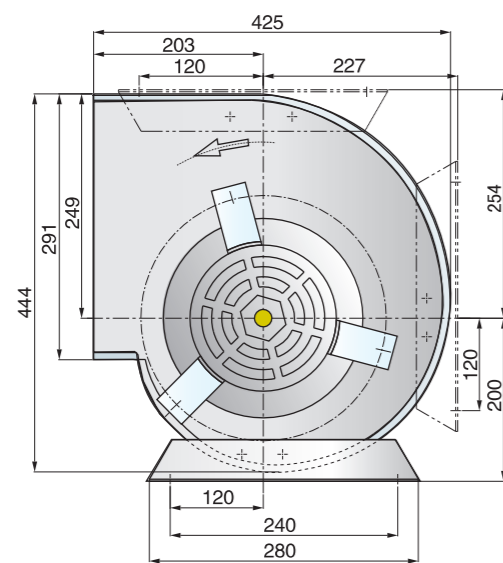
Technical Data

SYZ 10-10 III 550w-6

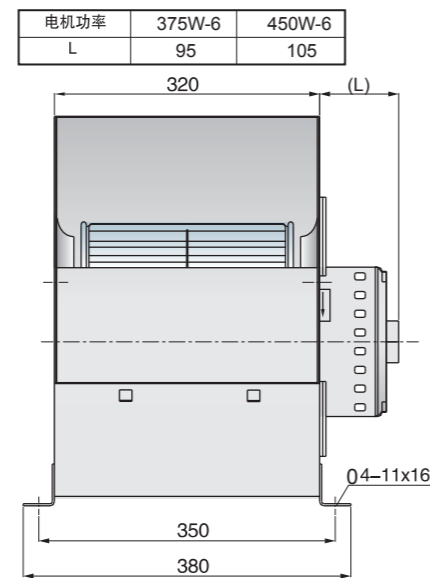


Type:	m: 18.3 kg	P _N : 550W-6P							
SYZ 10-10 III	U: 220 v	f _i : 50HZ							
	I _N : 4.7 A	IP: IP20							
工况点	风机转速 n(r/min)	125Hz	250Hz	500Hz	1kHz	2kHz	4kHz	8kHz	L _w dB (A)
A	957	61.7	71.1	64.0	66.8	64.2	62.0	54.8	74.2
B	929	59.8	69.4	65.8	69.6	68.2	65.9	59.3	75.3
C	919	61.9	69.6	67.2	71.1	69.6	67.3	60.8	76.5
D	906	61.3	70.9	68.4	72.3	71.2	69.1	62.6	77.8
E	889	63.1	71.4	69.8	73.5	72.8	70.8	64.4	79.1
F	872	63.5	71.4	71.4	75.2	74.4	72.6	66.1	80.5

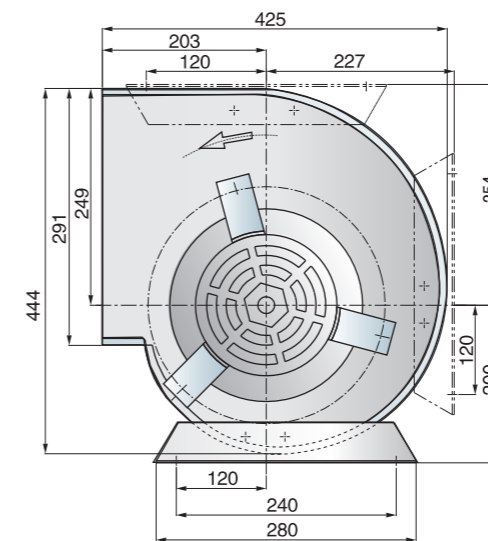
外形及安装尺寸



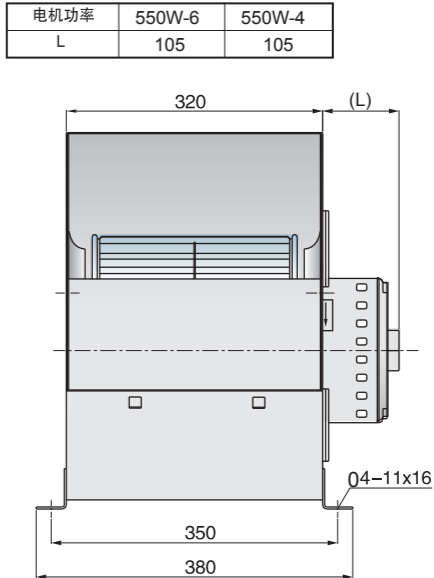
Overall Size



外形及安装尺寸

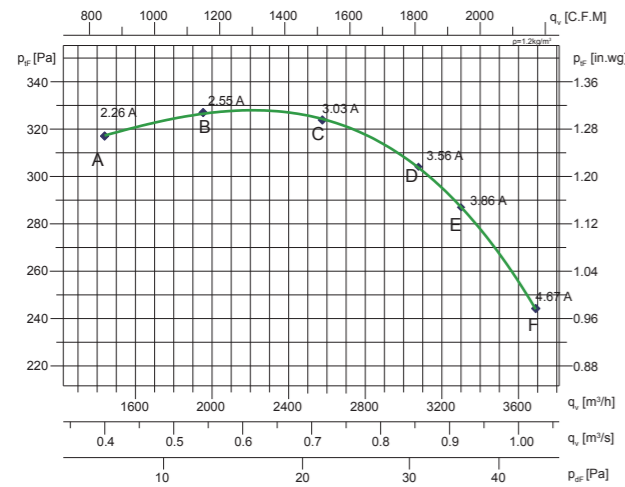


Overall Size



技术参数

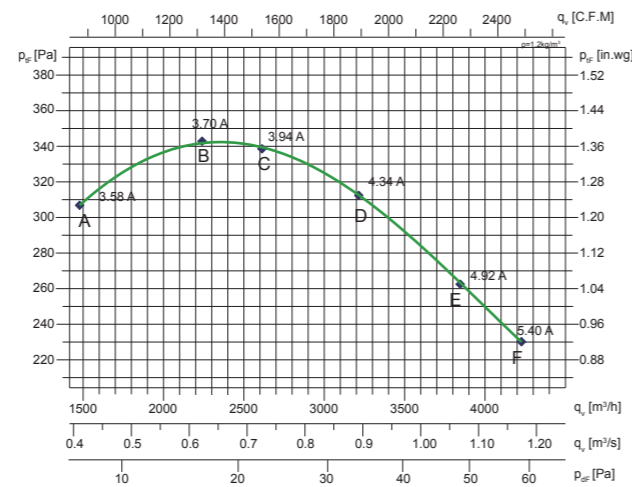
SYZ 12-9 I 550w-6



Type: SYZ 12-9 I		m: 22.4 kg	P _N : 550W-6P						
		U: 220 v	f ₁ : 50HZ						
		I _N : 4.7 A	IP: IP20						
工况点	风机转速 n(r/min)	125Hz	250Hz	500Hz	1kHz	2kHz	4kHz	8kHz	L _w dB (A)
A	950	60.9	69.7	64.8	66.7	63.8	62.5	52.7	73.5
B	934	61.6	67.0	64.8	67.4	65.0	64.0	53.6	73.2
C	906	61.4	66.7	66.5	68.5	66.7	65.8	55.1	74.2
D	874	60.6	65.6	68.6	70.1	68.4	68.3	57.5	75.6
E	848	61.8	65.5	68.8	70.8	69.4	69.5	59.4	76.3
F	791	62.6	65.5	69.7	71.8	70.7	71.1	62.4	77.5

Technical Data

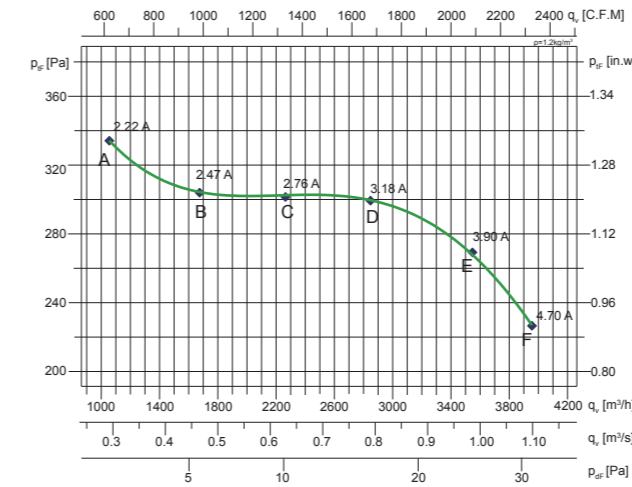
SYZ 12-9 I 750w-6



Type: SYZ 12-9 I		m: 22.8 kg	P _N : 750W-6P						
		U: 220 v	f ₁ : 50HZ						
		I _N : 5.4 A	IP: IP20						
工况点	风机转速 n(r/min)	125Hz	250Hz	500Hz	1kHz	2kHz	4kHz	8kHz	L _w dB (A)
A	962	61.9	66.3	65.4	67.4	63.9	62.4	52.7	72.8
B	944	62.2	66.2	65.7	68.1	65.3	64.3	55.1	73.5
C	934	62.3	67.0	66.6	68.9	66.3	65.6	56.8	74.4
D	915	65.8	68.1	69.3	71.5	68.8	68.4	60.3	76.8
E	892	63.8	71.7	71.9	75.0	72.3	71.7	63.8	79.9
F	874	62.4	70.0	72.1	76.2	73.5	73.2	65.4	80.7

技术参数

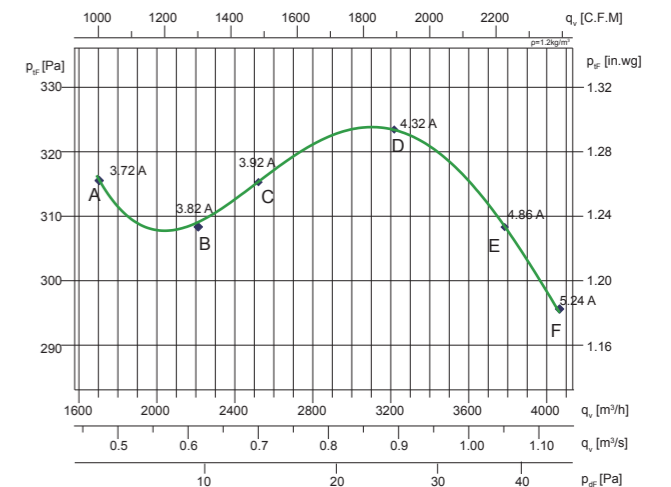
SYZ 12-12 I 550w-6



Type: SYZ 12-12 I		m: 22.8 kg	P _N : 550W-6P						
		U: 220 v	f ₁ : 50HZ						
		I _N : 4.7 A	IP: IP20						
工况点	风机转速 n(r/min)	125Hz	250Hz	500Hz	1kHz	2kHz	4kHz	8kHz	L _w dB (A)
A	956	61.3	71.6	65.7	66.2	64.4	62.7	54.0	74.5
B	939	62.0	65.7	64.8	65.9	63.5	61.5	52.6	72.1
C	922	61.7	67.4	64.3	65.9	64.0	62.3	53.0	72.5
D	910	61.8	66.7	65.2	66.9	65.7	64.0	54.3	73.2
E	847	61.9	64.1	66.2	67.2	66.0	64.4	55.6	73.1
F	785	61.2	64.0	66.9	68.0	67.3	65.9	58.3	74.0

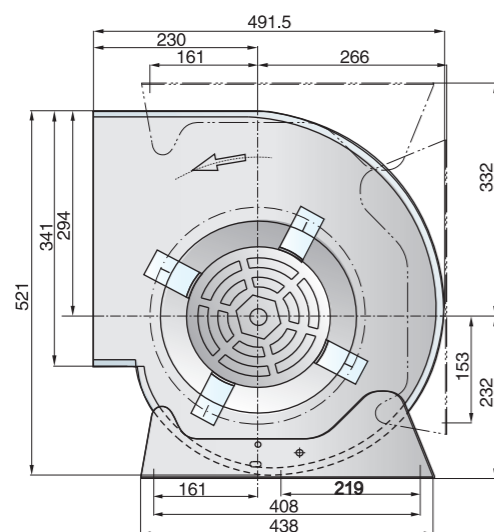
Technical Data

SYZ 12-12 I 750w-6

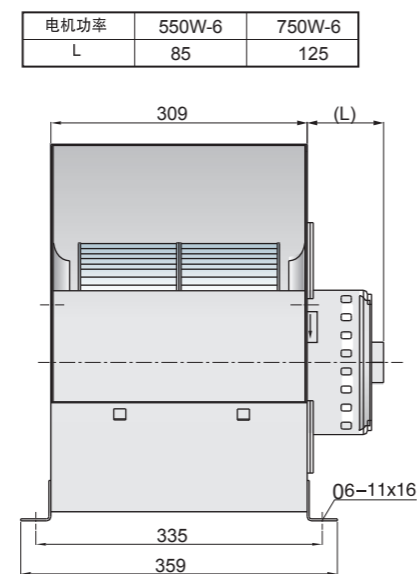


Type: SYZ 12-12 I		m: 24.4 kg	P _N : 750W-6P						
		U: 220 v	f ₁ : 50HZ						
		I _N : 5.4 A	IP: IP20						
工况点	风机转速 n(r/min)	125Hz	250Hz	500Hz	1kHz	2kHz	4kHz	8kHz	L _w dB (A)
A	955	64.3	80.8	68.7	65.6	64.1	62.1	54.3	81.4
B	947	64.9	83.8	66.8	66.2	64.4	62.2	54.2	84.1
C	936	62.2	72.3	70.4	69.3	64.9	63.4	55.3	76.4
D	912	62.5	73.0	65.8	66.9	66.1	64.8	56.2	75.8
E	890	62.9	71.7	67.4	68.1	67.8	66.6	61.0	76.1
F	873	62.4	67.3	67.8	68.8	69.0	67.8	62.9	75.6

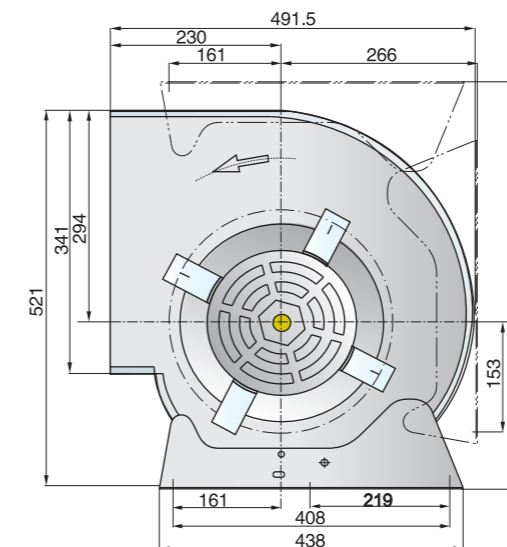
外形及安装尺寸



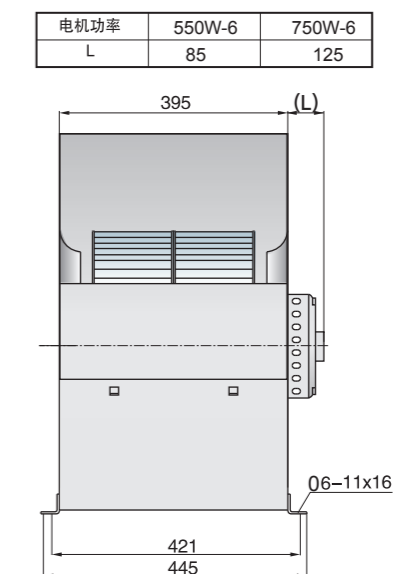
Overall Size



外形及安装尺寸



Overall Size





SYB 系列离心式空调风机

概述

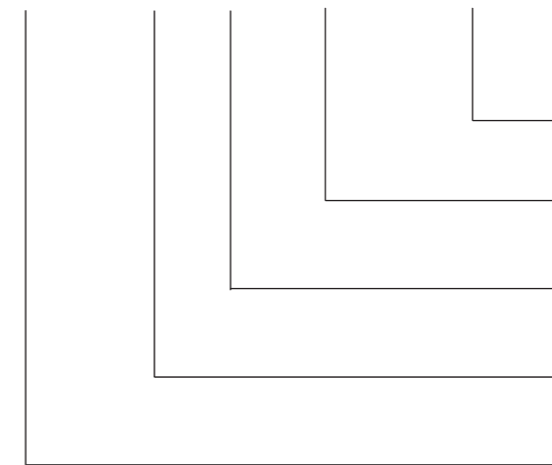
SYB 系列离心式空调风机是参照国际同类产品先进技术自行开发的低噪声紧凑型风机。额定流量 1000m³/h~20000m³/h, 全压 200Pa~850Pa, 采用外转子电机直联传动, 具有效率高、噪声低、流量大、体积小、结构紧凑等特点, 是变风量空调器、管道式空调机组、VAV 系统及其他暖通空调、净化设备理想的配套产品。

Summary

The SYB Series centrifugal fan is kind of air-conditioning fan. The Wheel of the fan is driven by three phases external motor. It was developed by using high technology and with low noise and compact structure. It was specially designed for the air-conditioning. The flow rate and total pressure range of this series fan are from 1000m³/h to 20000m³/h and 200Pa to 850Pa. It is the ideal equipment for the air-conditioning and other kind of fan system.

命名方式

SYB 200 I (0.25 - 4)



Nomenclature

- 电极了数
Motor Poles
- 电机功率(kW)
Motor Power (kW)
- 改型标记(I II III)
Mark of Revision
- 叶轮名义直径(mm)
Diameter of Wheel (mm)
- 风机系列代号
Fan series blades

产品型式

1. 旋向

SYB 系列风机可分为左旋(LG)和右旋(RG)两种旋转方式, 从电机出线端正视, 叶轮顺时针旋转的称为右旋风机, 逆时针旋转的称为左旋风机。

Product Features

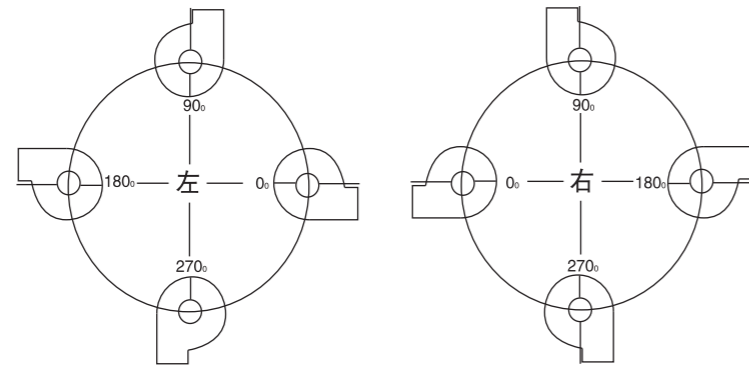
1. Rotation Direction

SYB series fans have two direction of rotations, left-hand rotation (LG) and right-hand rotation (RD); Viewing from drive side, if the Wheel rotates clockWise, it is left hand (LG) rotation. If the Wheel rotates counter cloc ise, it is right-hand (RD).

2. 出风口方向

SYB 系列风机可按图 1 所示制成 0°、90°、180°、270° 四种出风方向。

图 1 (Fig 1)



2. Discharge Direction

According to Fig1, SYB Series fans can be made in four air-outlet directions: 0°, 90°, 180°, and 270°.

产品结构

SYB 系列风机主要由机壳、叶轮、支板(框架)、电机、出口法兰五部分组成。

1. 机壳

机壳采用热镀锌钢板制造, 侧板具有符合空气动力学的外形, 进风口整体拉伸成型, 蜗板采用点焊方式与侧板连成一体。在侧板上预设一系列的铆螺母孔, 以便按照用户要求的出风口方向进行安装。

2. 叶轮

前向多翼叶轮采用优质热镀锌钢板制成, 叶片设计成符合空气动力学的特定形状, 使得效率最高, 噪声最低。叶片用铆爪固定在中盘及端圈上, 在最大功率连续运转时, 叶轮将具备足够的刚度。所有叶轮进行静平衡和动平衡测试, 内控精度达到 G2.5 级 (ANSI/AMCA-204)。

3. 支板(框架)

支板采用优质镀锌板制成, 独特加强工艺保证足够的强度, 支板安装角度可以根据用户不同需求进行调整。SYB315 以上风机的框架采用角钢和扁铁焊接而成, 框架四边都冲有安装孔, 以满足用户不同方向的安装需求。

4. 电机

SYB 系列风机配用外转子低噪声三相异步电动机, 该电机具有轴固定、外壳旋转的特点。电机安装在叶轮的中盘上, 由电机外壳旋转直接驱动。根据用户要求, SYB 系列风机选用特殊电机, 该电机可采用三相调压器、可控硅调压器、变频器等手段进行无级调速, 以适应系统负荷多变的要求。

Construction of Product

SYB series fans consist of housing, Wheel, baseplate(frame), motor, shaft sleeve and air outlet flange.

1. Housing

The housing is made of hot galvanized steel sheet. The side plates include inlet cones that are designed with the best aerodynamics for inlet condition. The scroll is fixed to the side plates by spot welding. On the side of the scroll, there is a series of holes drilled in advance for riveting nuts to carry out installation according to air outlet direction needed by the customer.

2. Wheel

Forward curved impeller is constructed of high-grade hot galvanized steel sheet with the advanced aerodynamics profile to achieve the highest efficiency and the lowest noise level. The Wheel is fixed on the center plate and on the end ring with riveting grip pres. The Wheel is constructed with maximum strength that endures the continuous operation with maximum power. All Wheels are balanced to the ANSI/AMCA 204 Notional Standard. Yilida's internal standard is G2.5 or higher for wheel balancing.

3. Frame

SYB Series fan baseplate is made of high quality hot galvanizing steel sheet, and the unique process of strengthening ensures the sufficient strength. The direction of baseplate installation can be carried out according to the different requirements of customers. Over SYB 315 fan frame is made of angle steel and flat steel. On four sides of the frame, there are holes drilled for installation to meet customers' requirements in different installation directions.

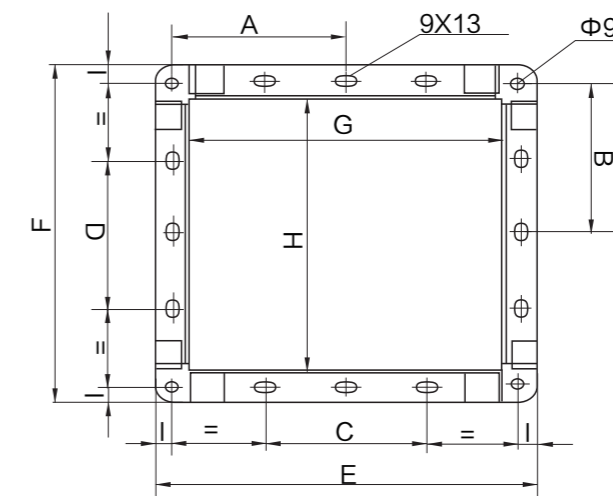
4. Motor

The motor used in SYB series fans are low noise three phases asynchronous motors with external rotors. The Wheel is installed on the external casing of the motor. The motor rotation speed can be changed by using provided with three-phase voltage regular; silicon controlled. Voltage regulator, frequency converter and etc. to satisfy the changeable load in the system.

5. 法兰

法兰采用优质热镀锌钢板制造, 法兰与壳体的连接采用 TOX 免焊工艺, 外观精美并具有足够的刚度和强度。法兰口尺寸型式参照图 2 所示。

图 2 (Fig 2)



5. Flange

The flange is made of galvanized steel. The connections of the flange components to the scroll are made using a TOX non-welding process. This maintains a good flange appearance while also providing sufficient strength and rigidity. The dimensions and type of flange are shown in Fig2.

型号 Type	200I	200II	225I	225II	225III	250I	250II	280I	280II	315I	315II	355I	355II	400I	400II	450I	450II	500I	500II
A	122.5	160	139	154	160	150.5	160	160	188	—	—	—	—	—	—	—	—	—	—
B	119.5	125	133	133	146.5	146.5	146	162.5	162.5	—	—	—	—	—	—	—	—	—	—
C	—	—	—	—	—	—	—	—	—	140	140	140	140	140	140	170	170	170	170
D	—	—	—	—	—	—	—	—	—	140	140	140	140	140	140	170	170	170	170
E	265	340	298	328	340	321	340	340	396	394	456	431	487	475	516	525	586	562	656
F	259	270	286	286	313	313	312	345	345	394	394	431	431	475	475	525	525	562	562
G	225	300	258	288	300	281	300	300	356	338	400	375	431	419	460	469	530	506	600
H	219	230	246	246	273	273	272	305	305	338	338	375	375	419	419	469	469	506	506
I	10	10	10	10	10	10	10	10	10	13	13	13	13	13	13	13	13	13	13

注: 表格和外形尺寸的单位为 mm。

Note: the size unit in the form and overall size are mm.

说明

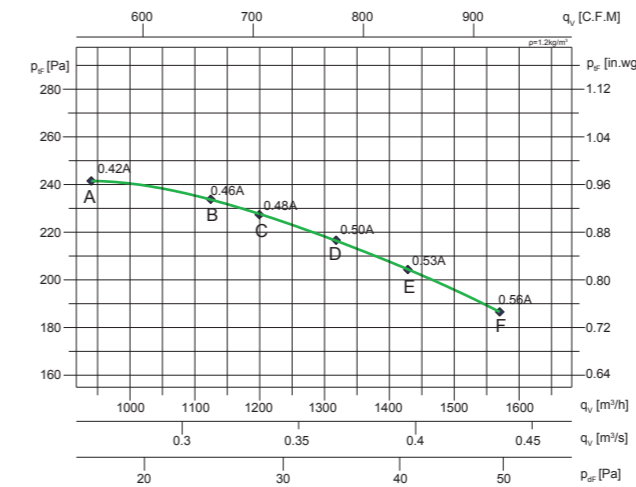
- 1). 风机配用电机功率是指在特定工况下，内功率加上电机容量安全系数而言，并非出风口全开时所需的功率，因此为防止电机因超功率运转而烧毁，严禁风机未加任何外界阻力进行空运转。
- 2). 样本中的风机性能是选用电机额定转速测试的结果，我们亦可通过改变电机的转速达到用户实际的需求。
- 3). 风机在运输、装卸过程中应小心轻放，严禁撞击挤压，严禁堆放于潮湿或有腐蚀性的场合。
- 4). 风机安装前应用手拨动叶轮，检查是否有过紧或碰撞现象，确认没有这些现象后方可进行试运转。
- 5). 风管与风机进风口、出风口之间连接时应尽量采用软连接，接头不得拉得过紧。
- 6). 风机安装后应检查机壳和其他壳体内部，不应遗留的工具和杂物。
- 7). 风机正式运转前，需检查叶轮的转向是否符合侧板上的转向标记。
- 8). 订货时需注明风机型号、配用电机型号、风机的风量、风压等参数。

Instructions

- 1) The rated motor power as calculated herein might not be sufficient to drive the fan with an unrestricted discharge flow. Operating the fan with an unrestricted discharge outlet will result in flow rate that exceeds the specified fan capabilities. Such operation will quickly burn the motor and damage the fan. Great care must be taken in operating the fan to make sure that the maximum rated flows, as provided on the performance charts in this catalog, are not exceeded.
- 2) The fan performance in the catalog is tested under the motor rated speed, we can meet the actual requirement of the user by changing the motor speed.
- 3) Special care should be taken during transportation, load and unload. The fan is limited for use in areas where air substances are non-corrosive, non-toxics and non-erosive.
- 4) Following the installation, the Wheel should be turned by hand or with the use of a wrench to make sure that it turns freely without colliding with other parts of the fan. Once all this is done, the fan can be commissioned normally.
- 5) A flexible connector should be used between the fan out let flange and its mating ductwork. The flex connector should not be over-stretched.
- 6) The inside of the scroll and casing need to be checked to make sure that there are no foreign objects inside the housing, such as tools or loose parts.
- 7) The rotational directions of the motor and Wheel should be checked to ensure that they are in compliance with the specification and purchase orders.
- 8) During ordering it is necessary to state the type of fan, motor type, air flow, air pressure and other parameters.

技术参数

SYB200 I 0.18kW-4P

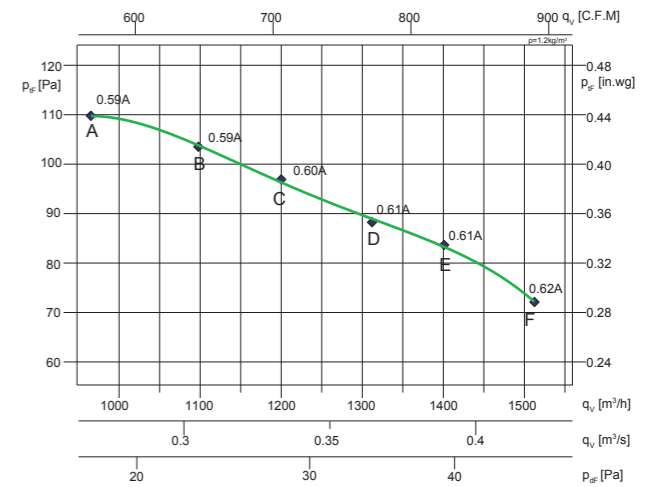


Type: SYB200 I	m: 15 kg	P_N : 0.18kW-4P
	U: 380 v	f_1 : 50HZ
	I_N : 0.56 A	IP: IP44

工况点	风机转速 n(r/min)	125Hz	250Hz	500Hz	1kHz	2kHz	4kHz	8kHz	L_{wax} dB (A)
A	1388	55.2	62.9	64.5	69.6	66.0	64.1	55.5	73.2
B	1365	53.8	62.0	65.9	71.1	67.5	66.0	57.8	74.6
C	1350	54.1	63.0	67.0	74.6	69.3	68.1	60.5	77.1
D	1342	54.1	63.2	67.4	75.4	70.3	69.3	62.1	77.5
E	1323	54.1	63.4	67.8	75.4	70.3	69.3	62.1	78.1
F	1297	55.2	64.4	68.8	74.6	71.7	70.8	64.0	78.4

Technical Data

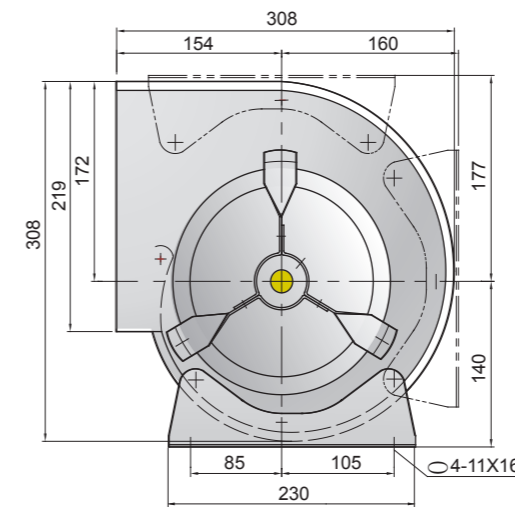
SYB200 I 0.18kW-6P



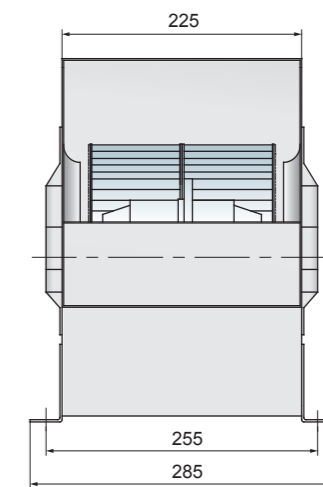
Type: SYB200 I	m: 15 kg	P_N : 0.18kW-6P
	U: 380 v	f_1 : 50HZ
	I_N : 0.79 A	IP: IP44

工况点	风机转速 n(r/min)	125Hz	250Hz	500Hz	1kHz	2kHz	4kHz	8kHz	L_{wax} dB (A)
A	965	46.2	55.2	58.7	63.0	60.5	58.6	49.9	67.0
B	961	46.6	56.2	58.7	62.6	59.2	56.2	46.0	66.3
C	953	50.6	59.1	61.5	65.2	63.1	61.5	52.6	69.7
D	951	52.3	60.4	62.8	66.5	64.5	63.4	54.9	71.1
E	948	52.8	62.4	64.8	69.1	67.2	66.1	58.5	73.6
F	942	54.4	63.3	65.9	70.4	68.5	67.6	60.2	74.9

外形及安装尺寸



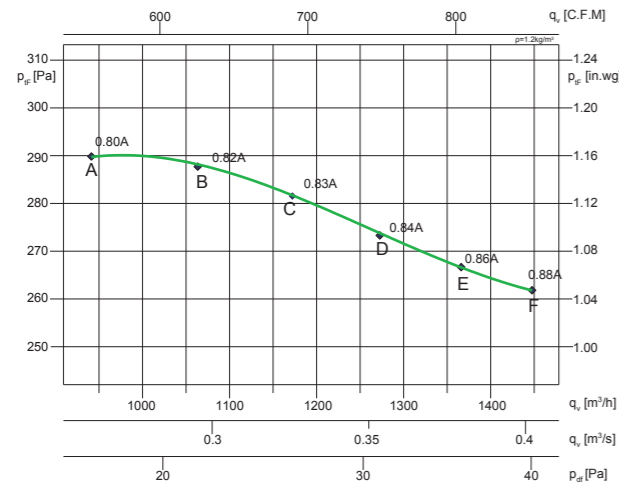
Overall Size



技术参数

Technical Data

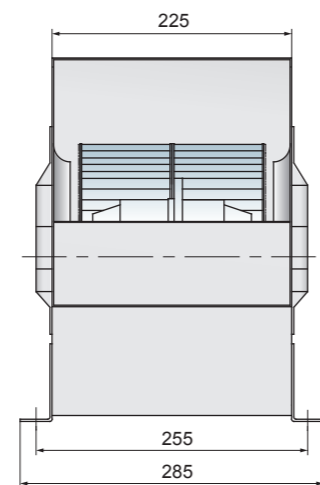
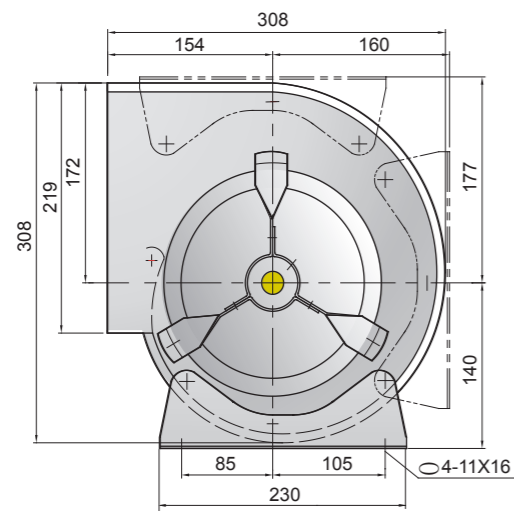
SYB200 I 0.25kW-4P



Type: SYB200 I	m: 15 kg	P_N : 0.25kW-4P							
	U: 380 v	f_1 : 50HZ							
	I_N : 0.88 A	IP: IP44							
工况点	风机转速 n (r/min)	125Hz	250Hz	500Hz	1kHz	2kHz	4kHz	8kHz	L_{max} dB (A)
A	1400	53.6	62.9	63.3	68.4	64.7	62.8	61.6	72.1
B	1407	53.5	62.1	64.0	69.1	65.5	63.7	58.7	72.8
C	1412	53.3	61.6	64.7	69.9	66.3	64.6	57.3	73.4
D	1423	54.0	62.0	65.4	70.6	67.1	65.5	56.2	74.1
E	1428	54.7	62.4	66.0	72.4	67.9	66.6	55.0	75.4
F	1438	55.4	62.8	67.4	75.0	69.9	68.8	53.9	77.6

外形及安装尺寸

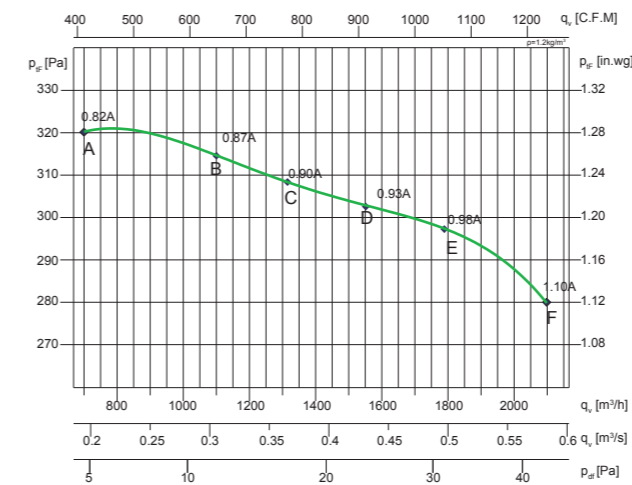
Overall Size



技术参数

Technical Data

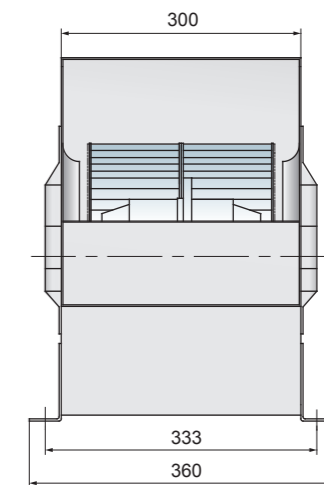
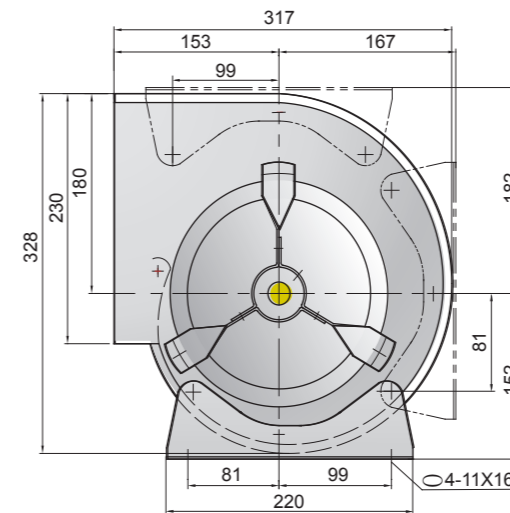
SYB200 II 0.32kW-4P



Type: SYB200 II	m: 15.8 kg	P_N : 0.32kW-4P							
	U: 380 v	f_1 : 50HZ							
	I_N : 1.07 A	IP: IP44							
工况点	风机转速 n (r/min)	125Hz	250Hz	500Hz	1kHz	2kHz	4kHz	8kHz	L_{max} dB (A)
A	1446	64.6	69.6	68.6	69.7	67.2	65.1	54.4	75.7
B	1424	61.6	68.3	66.4	68.9	67.2	65.2	55.5	74.7
C	1411	62.5	67.0	67.4	70.0	68.2	66.7	56.7	75.4
D	1386	60.9	69.3	68.4	71.4	69.6	68.4	58.4	76.7
E	1364	61.2	69.4	69.8	73.1	71.2	70.2	60.0	78.1
F	1352	66.0	69.7	71.5	75.3	73.5	72.8	62.6	80.2

外形及安装尺寸

Overall Size



技术参数

Technical Data

技术参数

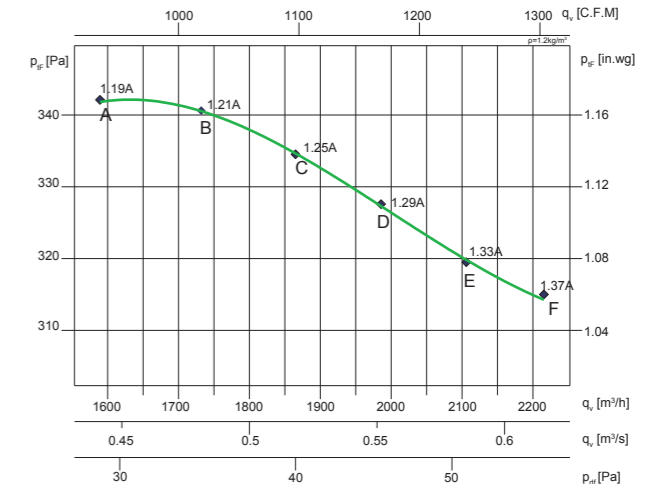
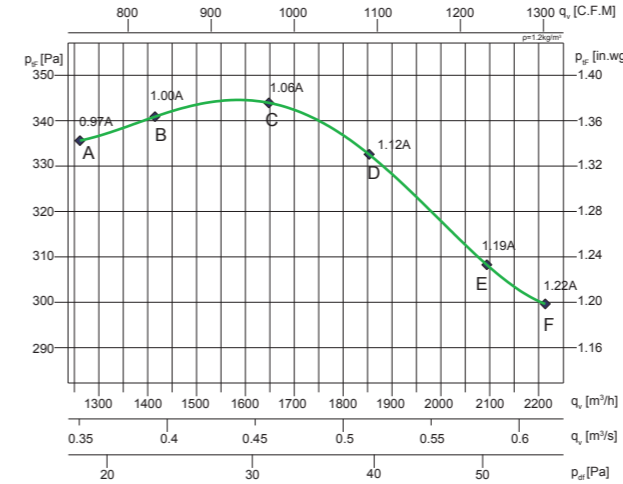
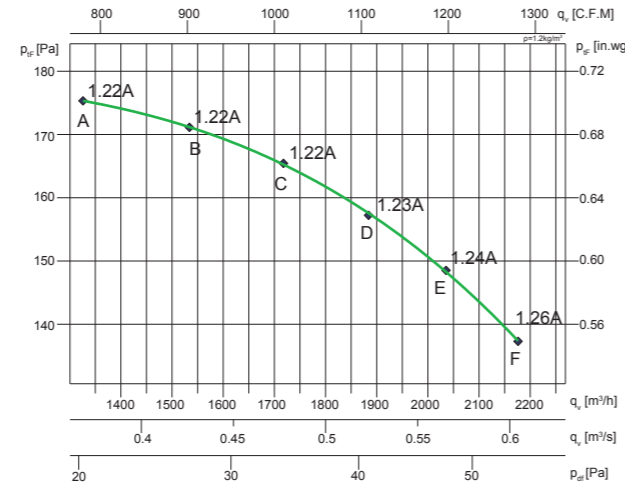
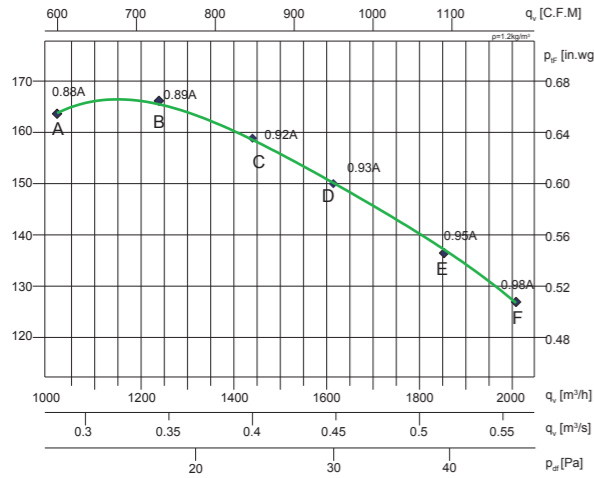
Technical Data

SYB225 I 0.25kW-6P

SYB225 I 0.32kW-6P

SYB225 I 0.37kW-4P

SYB225 I 0.45kW-4P



Type: SYB225 I		m: 17.6 kg		P _N : 0.25kW-6P					
		U: 380 v		f _i : 50HZ					
		I _N : 1.04 A		IP: IP44					
工况点	风机转速 n(r/min)	125Hz	250Hz	500Hz	1kHz	2kHz	4kHz	8kHz	L _w dB (A)
A	973	51.4	60.0	61.2	64.9	60.5	58.8	59.6	69.2
B	966	52.5	61.6	63.2	66.7	62.4	60.1	59.6	70.8
C	958	52.1	62.9	65.5	68.4	64.8	69.0	59.7	73.9
D	952	53.5	64.9	67.5	70.1	67.0	65.7	60.5	74.6
E	941	55.1	66.6	70.2	73.6	69.5	68.6	62.2	77.1
F	935	56.8	67.9	71.9	74.2	71.2	70.5	63.7	78.8

Type: SYB225 I		m: 18.9 kg		P _N : 0.32kW-6P					
		U: 380 v		f _i : 50HZ					
		I _N : 1.29 A		IP: IP44					
工况点	风机转速 n(r/min)	125Hz	250Hz	500Hz	1kHz	2kHz	4kHz	8kHz	L _w dB (A)
A	956	52.1	61.2	62.8	66.4	62.1	59.7	59.3	70.5
B	960	51.8	62.5	65.2	68.1	64.4	68.7	59.4	73.6
C	965	53.1	64.6	67.1	69.7	66.6	65.3	60.2	74.2
D	968	54.8	66.3	69.9	72.2	69.1	68.2	61.8	76.7
E	972	56.4	67.6	71.6	73.8	70.9	70.2	63.3	78.4
F	978	57.6	68.8	73.7	75.9	73.3	72.6	65.6	80.6

Type: SYB225 I		m: 17.9 kg		P _N : 0.37kW-4P					
		U: 380 v		f _i : 50HZ					
		I _N : 1.21 A		IP: IP44					
工况点	风机转速 n(r/min)	125Hz	250Hz	500Hz	1kHz	2kHz	4kHz	8kHz	L _w dB (A)
A	1399	58.3	68.3	68.4	70.9	68.9	67.0	60.3	76.1
B	1389	56.8	67.5	68.6	71.3	69.7	67.8	60.9	76.4
C	1365	56.6	68.4	70.1	73.1	71.1	69.6	61.9	77.9
D	1345	56.9	69.6	71.8	74.8	72.5	71.3	63.5	79.4
E	1316	57.7	70.4	73.9	76.5	74.2	73.5	65.6	81.3
F	1300	58.3	70.7	74.8	77.4	75.0	74.4	66.9	82.1

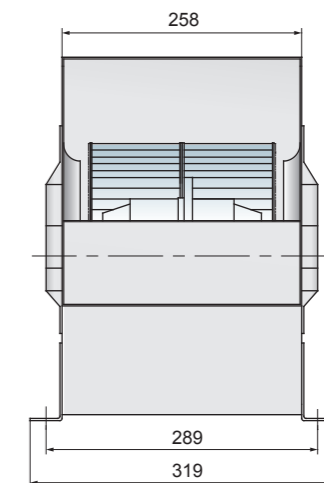
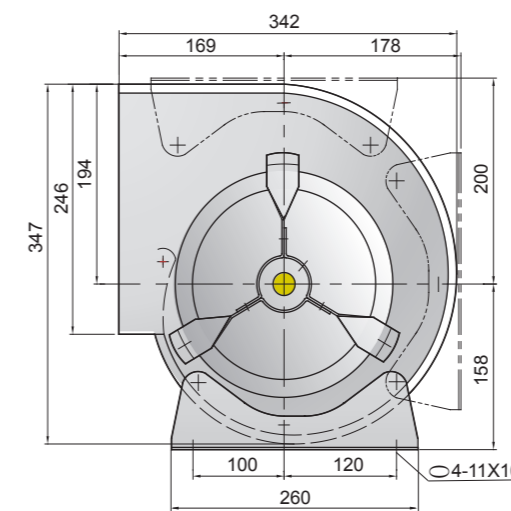
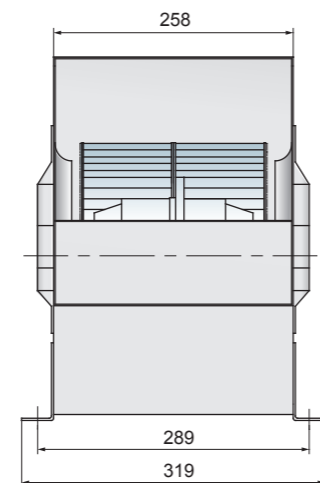
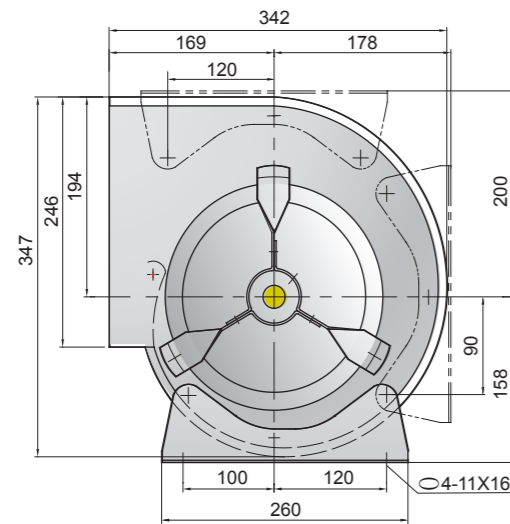
Type: SYB225 I		m: 18.85 kg		P _N : 0.45kW-4P					
		U: 380 v		f _i : 50HZ					
		I _N : 1.36 A		IP: IP44					
工况点	风机转速 n(r/min)	125Hz	250Hz	500Hz	1kHz	2kHz	4kHz	8kHz	L _w dB (A)
A	1422	58.2	70.6	74.7	77.3	74.9	74.2	66.8	82.0
B	1416	57.5	70.2	73.8	76.4	74.1	73.3	65.5	81.1
C	1410	56.8	69.4	71.6	74.6	72.3	71.1	63.3	79.3
D	1400	56.5	68.3	69.9	72.9	70.9	69.4	61.8	77.7
E	1392	56.6	67.4	68.4	71.2	69.5	67.7	60.8	76.2
F	1387	56.8	66.5	66.9	69.4	68.1	65.9	59.8	74.8

外形及安装尺寸

Overall Size

外形及安装尺寸

Overall Size



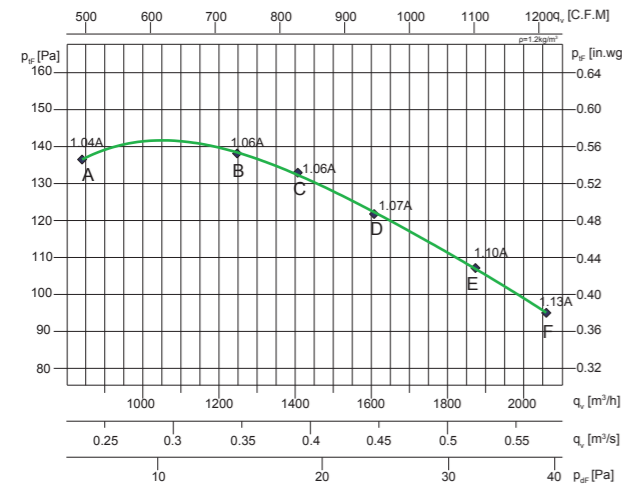
技术参数

Technical Data

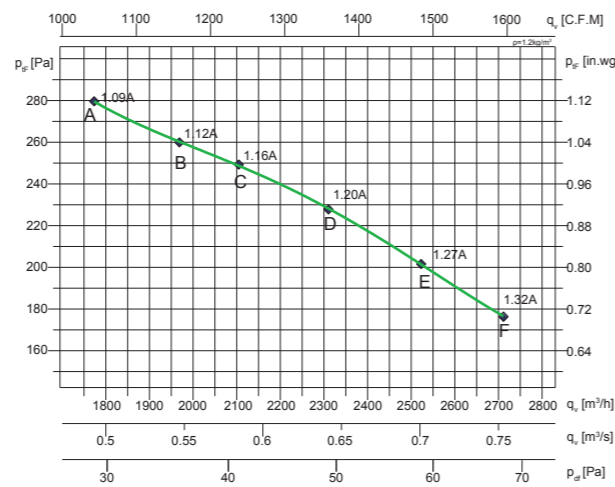
技术参数

Technical Data

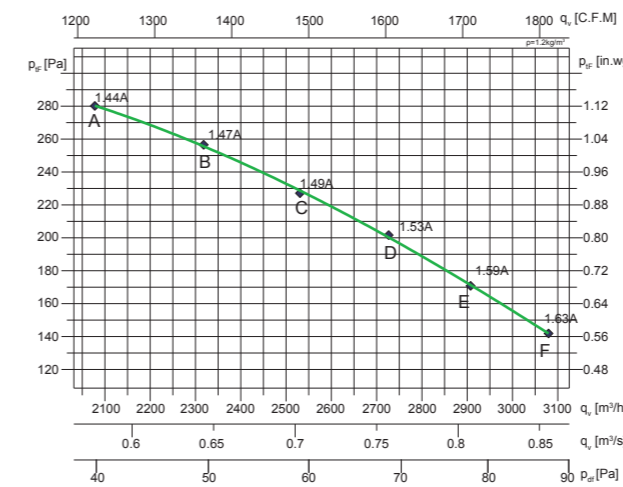
SYB225 II 0.32kW-6P



SYB225 II 0.45kW-4P



SYB225 II 0.55kW-4P



Type: SYB225 II	m: 16.7 kg	P_N : 0.32kW-6P							
	U: 380 v	f_1 : 50HZ							
	I_N : 1.29 A	IP: IP44							
工况点	风机转速 n(r/min)	125Hz	250Hz	500Hz	1kHz	2kHz	4kHz	8kHz	L_{wA} dB (A)
A	984	52.4	56.8	57.8	61.3	56.8	51.6	42.1	65.1
B	975	54.9	59.3	59.8	63.9	59.3	54.6	73.9	67.6
C	973	55.4	61.3	61.1	64.4	60.8	56.8	45.1	68.7
D	968	56.1	63.9	63.3	66.7	62.9	59.6	48.1	71.0
E	962	59.2	66.2	67.1	70.0	65.9	63.3	52.5	74.2
F	957	60.3	67.1	69.2	71.6	68.0	65.9	55.7	76.0

Type: SYB225 II	m: 16.65 kg	P_N : 0.45kW-4P							
	U: 380 v	f_1 : 50HZ							
	I_N : 1.42 A	IP: IP44							
工况点	风机转速 n(r/min)	125Hz	250Hz	500Hz	1kHz	2kHz	4kHz	8kHz	L_{wA} dB (A)
A	1379	62.4	67.5	64.6	69.2	67.9	65.1	55.6	74.5
B	1364	63.4	68.9	66.4	70.2	69.3	66.8	57.0	75.9
C	1356	63.3	69.7	68.0	71.5	70.5	68.3	58.5	77.0
D	1337	64.2	70.5	69.5	72.9	71.7	69.6	60.1	78.3
E	1319	65.1	71.0	70.8	74.1	72.7	70.7	61.3	79.3
F	1302	62.0	71.3	72.6	75.7	74.1	72.4	63.4	80.6

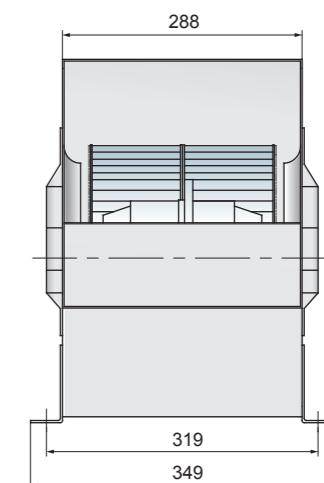
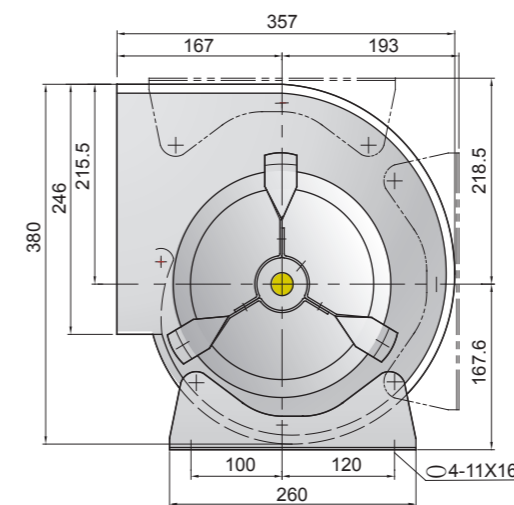
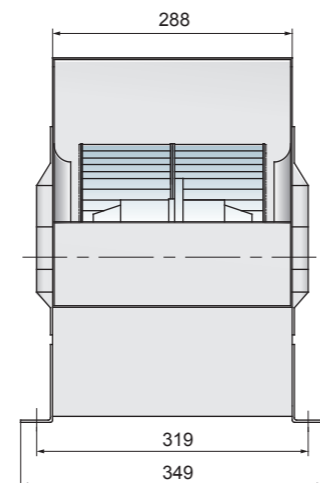
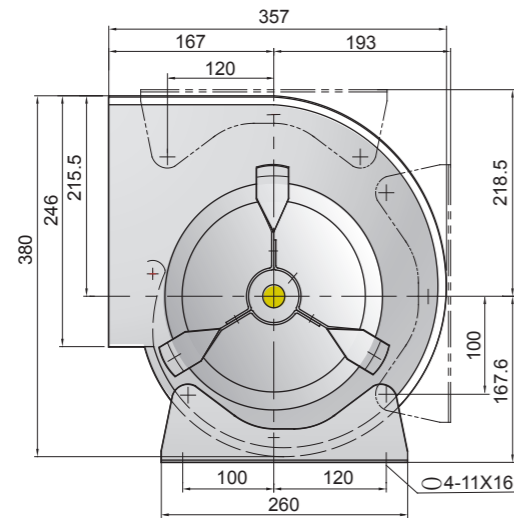
Type: SYB225 II	m: 17.8 kg	P_N : 0.55kW-4P							
	U: 380 v	f_1 : 50HZ							
	I_N : 1.68 A	IP: IP44							
工况点	风机转速 n(r/min)	125Hz	250Hz	500Hz	1kHz	2kHz	4kHz	8kHz	L_{wA} dB (A)
A	1335	57.4	67.1	67.5	70.0	68.7	66.5	60.4	75.3
B	1348	57.2	68.0	69.0	71.7	70.1	68.2	61.4	76.8
C	1359	57.1	68.8	70.5	73.5	71.5	70.0	62.4	78.3
D	1372	57.3	70.0	72.2	75.2	72.9	71.7	63.9	79.9
E	1386	58.1	70.8	74.3	77.0	74.7	73.9	66.0	81.7
F	1399	58.7	71.1	75.2	77.9	75.5	74.8	67.3	82.5

外形及安装尺寸

Overall Size

外形及安装尺寸

Overall Size



技术参数

Technical Data

技术参数

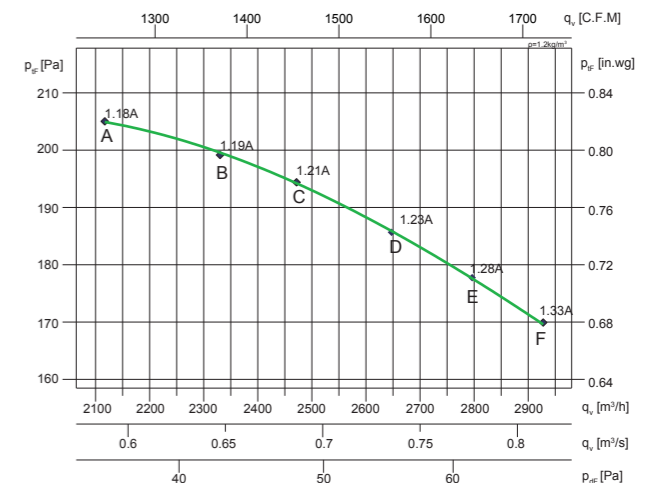
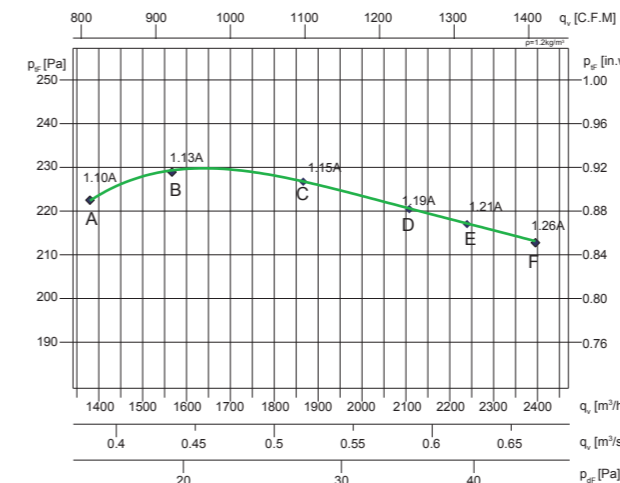
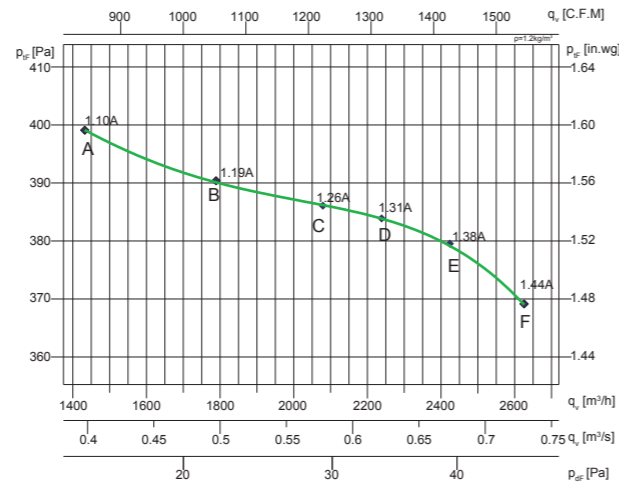
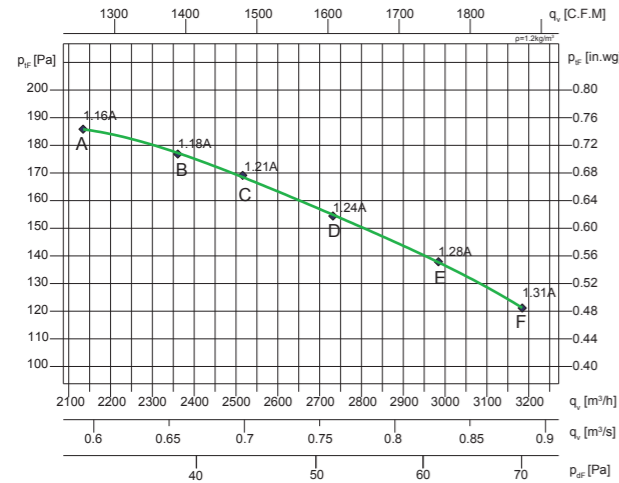
Technical Data

SYB225 III 0.37kW-6P

SYB225 III 0.45kW-4P

SYB250 I 0.32kW-6P

SYB250 I 0.37kW-6P



Type: SYB225 III		m: 18.4 kg	P _N : 0.37kW-6P						
		U: 380 v	f ₁ : 50HZ						
		I _N : 1.37 A	IP: IP44						
工况点	风机转速 n(r/min)	125Hz	250Hz	500Hz	1kHz	2kHz	4kHz	8kHz	L _{WA} dB (A)
A	948	56.9	60.5	62.5	68.8	59.5	57.9	59.6	71.3
B	939	56.4	63.1	64.6	71.3	63.9	62.3	60.5	73.8
C	933	57.4	64.4	66.2	74.2	66.0	64.7	60.3	76.2
D	926	59.8	66.5	68.7	73.8	69.2	68.6	62.6	77.3
E	915	60.2	67.7	70.0	74.7	70.9	70.5	64.3	78.6
F	907	61.1	68.6	71.6	76.3	73.0	72.6	66.5	80.4

Type: SYB225 III		m: 18.35 kg	P _N : 0.45kW-4P						
		U: 380 v	f ₁ : 50HZ						
		I _N : 1.44 A	IP: IP44						
工况点	风机转速 n(r/min)	125Hz	250Hz	500Hz	1kHz	2kHz	4kHz	8kHz	L _{WA} dB (A)
A	1405	65.4	68.5	67.3	70.3	70.2	67.3	58.0	76.3
B	1384	64.3	68.1	67.1	70.6	70.2	67.6	58.4	76.3
C	1367	63.2	68.6	67.8	71.2	71.3	68.7	59.7	77.0
D	1353	62.0	68.6	68.4	71.7	71.4	69.4	60.8	77.4
E	1346	62.2	69.1	69.1	72.9	72.2	70.4	62.2	78.2
F	1326	62.0	69.2	69.8	73.8	72.7	71.5	63.9	79.0

Type: SYB250 I		m: 20.4 kg	P _N : 0.32kW-6P						
		U: 380 v	f ₁ : 50HZ						
		I _N : 1.29 A	IP: IP44						
工况点	风机转速 n(r/min)	125Hz	250Hz	500Hz	1kHz	2kHz	4kHz	8kHz	L _{WA} dB (A)
A	965	56.5	62.9	64.1	69.1	63.8	60.9	50.0	72.3
B	958	54.2	62.7	65.2	69.7	65.7	63.7	53.2	73.3
C	947	55.2	63.2	65.9	70.3	66.9	65.3	55.5	74.1
D	938	55.9	63.9	66.7	71.5	67.7	66.3	57.1	75.1
E	938	57.5	65.1	67.9	72.5	69.6	68.4	60.2	76.5
F	927	57.4	65.4	68.7	73.4	70.5	69.5	61.6	77.4

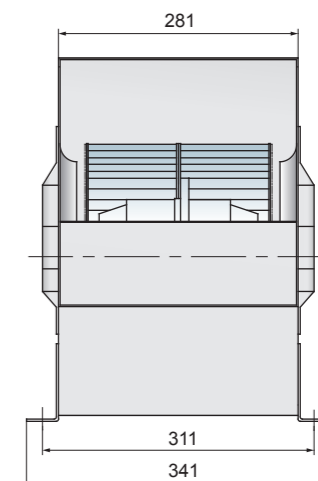
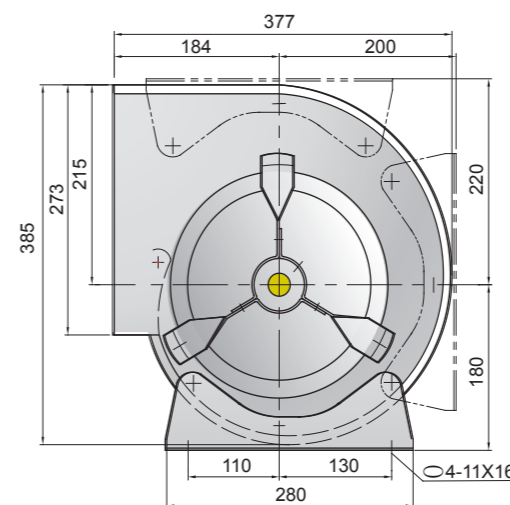
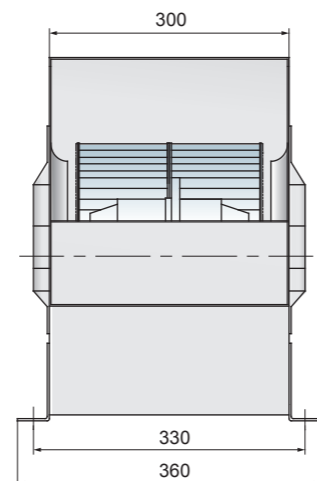
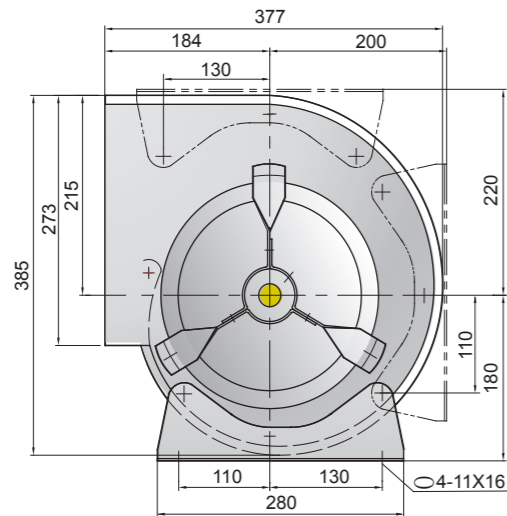
Type: SYB250 I		m: 20.4 kg	P _N : 0.37kW-6P						
		U: 380 v	f ₁ : 50HZ						
		I _N : 1.37 A	IP: IP44						
工况点	风机转速 n(r/min)	125Hz	250Hz	500Hz	1kHz	2kHz	4kHz	8kHz	L _{WA} dB (A)
A	910	55.3	63.1	66.0	70.2	67.0	65.2	55.7	74.1
B	914	56.0	63.8	66.8	71.4	67.8	66.2	57.2	75.1
C	918	57.6	65.0	68.0	72.4	69.7	68.3	60.3	76.5
D	927	57.5	65.3	68.8	73.3	70.6	69.4	61.7	77.4
E	932	57.6	66.0	69.7	74.6	71.6	70.7	63.4	78.5
F	941	58.2	66.7	70.8	75.4	72.8	71.9	64.8	79.5

外形及安装尺寸

Overall Size

外形及安装尺寸

Overall Size



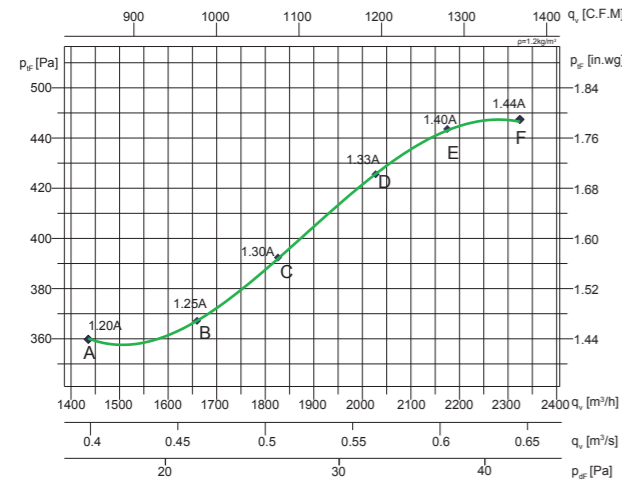
技术参数

Technical Data

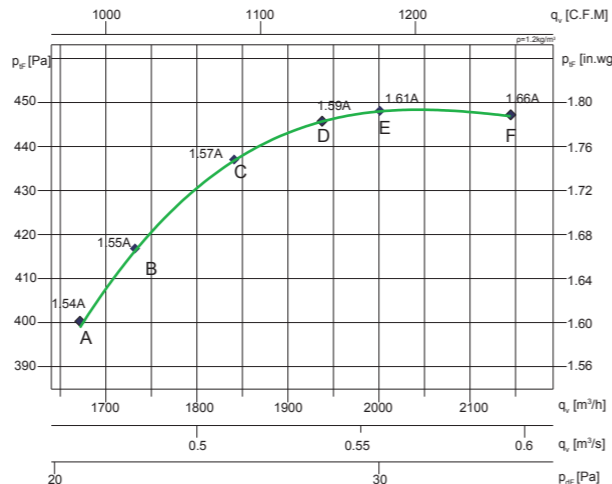
技术参数

Technical Data

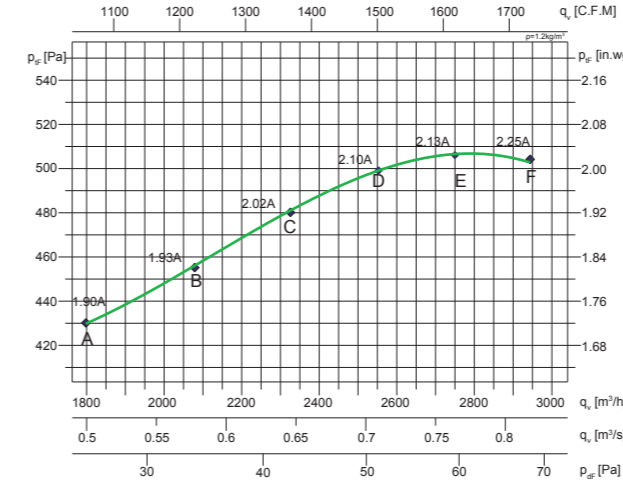
SYB250 I 0.45kW-4P



SYB250 I 0.55kW-4P



SYB250 I 0.8kW-4P



Type: SYB250 I		m: 20.35 kg	P_N : 0.45kW-4P						
		U: 380 v	f_1 : 50HZ						
		I_N : 1.42 A	IP: IP44						
工况点	风机转速 n(r/min)	125Hz	250Hz	500Hz	1kHz	2kHz	4kHz	8kHz	L_{WA} dB (A)
A	1309	60.3	69.1	71.4	76.3	73.9	72.9	65.6	80.5
B	1328	54.9	68.9	71.2	75.3	73.8	72.6	65.2	80.0
C	1339	60.7	69.1	70.6	74.8	72.8	71.7	64.0	79.4
D	1353	61.3	69.3	70.6	74.2	72.5	71.4	63.6	79.1
E	1368	63.3	70.1	70.6	73.9	72.1	70.9	63.0	79.0
F	1381	64.2	70.5	70.7	73.5	71.6	70.1	62.0	78.7

Type: SYB250 I		m: 21.5 kg	P_N : 0.55kW-4P						
		U: 380 v	f_1 : 50HZ						
		I_N : 1.68 A	IP: IP44						
工况点	风机转速 n(r/min)	125Hz	250Hz	500Hz	1kHz	2kHz	4kHz	8kHz	L_{WA} dB (A)
A	1390	64.6	70.7	70.5	73.5	71.5	70.0	62.0	78.7
B	1381	64.3	70.6	70.8	73.6	71.7	70.2	62.1	78.8
C	1375	64.1	70.4	70.9	73.9	72.0	70.7	62.6	79.0
D	1369	61.4	69.4	70.7	74.3	72.6	71.4	63.7	79.2
E	1361	60.8	69.2	70.7	74.9	72.9	71.8	64.1	79.5
F	1254	60.7	69.0	71.0	75.0	73.2	72.0	64.5	79.7

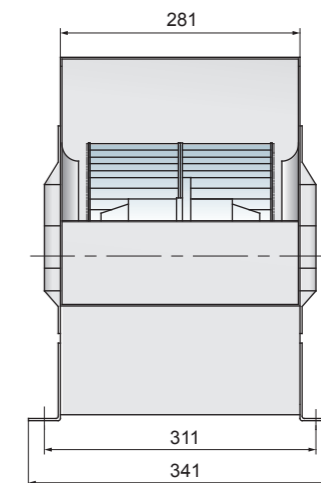
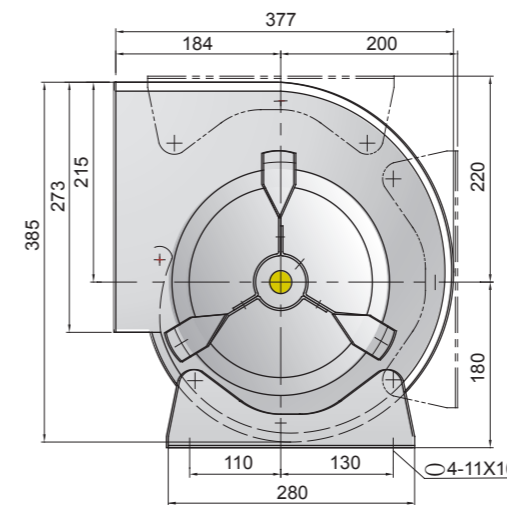
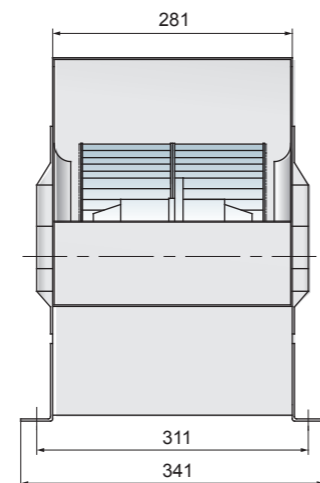
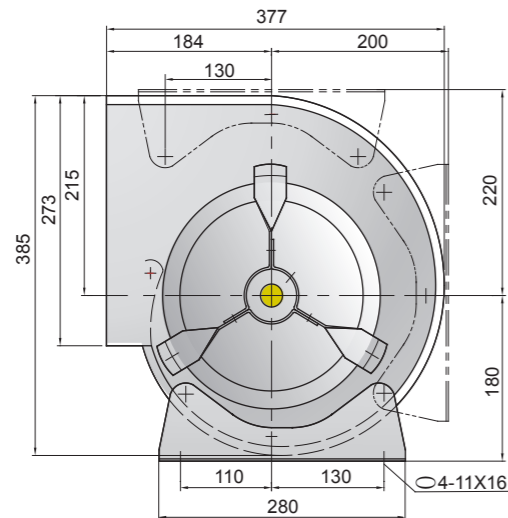
Type: SYB250 I		m: 23.65 kg	P_N : 0.8kW-4P						
		U: 380 v	f_1 : 50HZ						
		I_N : 2.31 A	IP: IP44						
工况点	风机转速 n(r/min)	125Hz	250Hz	500Hz	1kHz	2kHz	4kHz	8kHz	L_{WA} dB (A)
A	1393	55.1	69.0	71.1	75.5	73.9	72.9	65.4	80.2
B	1401	60.8	69.0	70.8	75.1	73.3	72.2	64.6	79.7
C	1411	60.9	69.3	70.6	75.0	72.9	71.9	64.2	79.6
D	1420	61.5	69.5	70.5	74.4	72.7	71.6	63.8	79.3
E	1432	64.2	70.5	70.7	74.0	72.1	70.8	62.7	79.1
F	1437	64.4	70.7	70.7	73.7	71.8	70.4	62.2	78.9

外形及安装尺寸

Overall Size

外形及安装尺寸

Overall Size



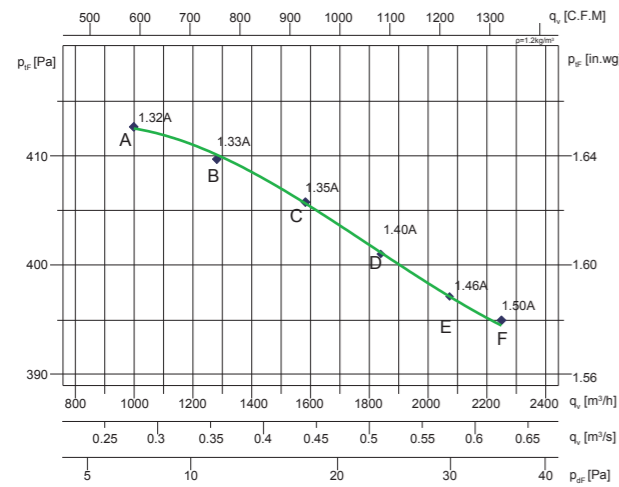
技术参数

Technical Data

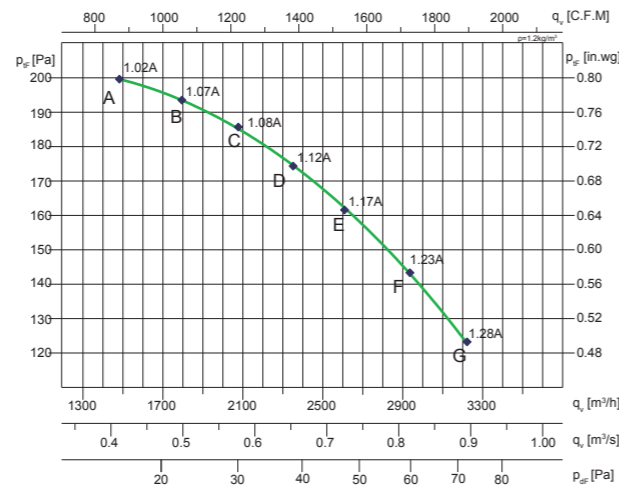
技术参数

Technical Data

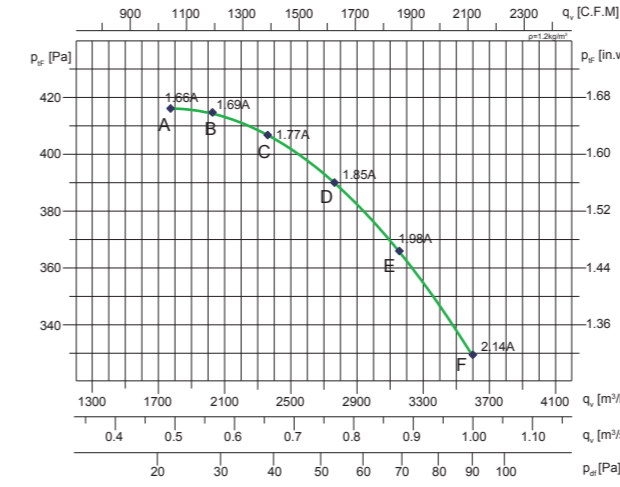
SYB250 II 0.45kW-4P



SYB250 II 0.45kW-6P



SYB250 II 0.8kW-4P



Type: SYB250 II		m: 19.5 kg		P _N : 0.45kW-4P					
		U: 380 v		f _i : 50HZ					
		I _N : 1.5 A		IP: IP44					
工况点	风机转速 n(r/min)	125Hz	250Hz	500Hz	1kHz	2kHz	4kHz	8kHz	L _{wm} dB (A)
A	1395	65.3	65.3	70.8	73.5	72.2	70.3	62.8	78.5
B	1403	65.1	65.1	69.8	72.1	70.8	68.5	59.6	77.2
C	1410	66.3	66.2	69.9	71.9	70.4	68.1	60.8	77.2
D	1423	67.8	67.8	70.3	72.2	70.6	68.1	68.9	78.1
E	1435	68.3	68.3	70.8	72.7	70.7	68.3	66.4	78.3
F	1438	69.4	69.5	70.6	73.9	70.8	69.5	67.5	79.6

Type: SYB250 II		m: 20 kg		P _N : 0.45kW-6P					
		U: 380 v		f _i : 50HZ					
		I _N : 1.62 A		IP: IP44					
工况点	风机转速 n(r/min)	125Hz	250Hz	500Hz	1kHz	2kHz	4kHz	8kHz	L _{wm} dB (A)
A	972	68.2	71.8	68.3	68.0	70.1	67.1	66.5	77.3
B	967	67.7	71.2	69.4	69.2	70.6	69.0	69.0	77.9
C	961	66.1	71.0	69.9	70.9	70.5	68.2	61.0	77.1
D	954	65.2	71.8	70.8	73.5	72.2	70.4	63.0	78.5
E	937	64.3	72.2	72.5	75.6	74.5	73.1	65.4	80.1
F	929	63.8	72.5	74.2	77.8	75.3	74.3	66.4	81.2

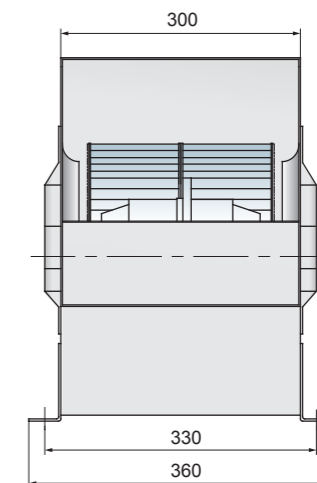
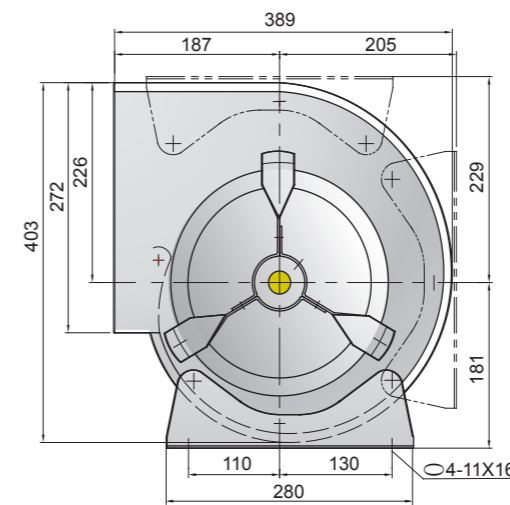
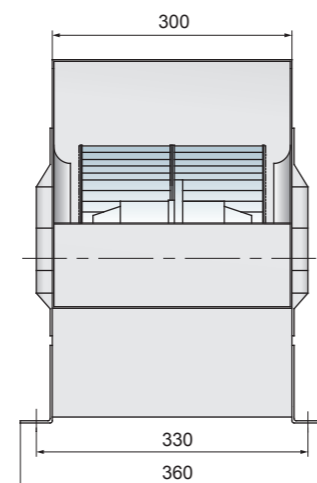
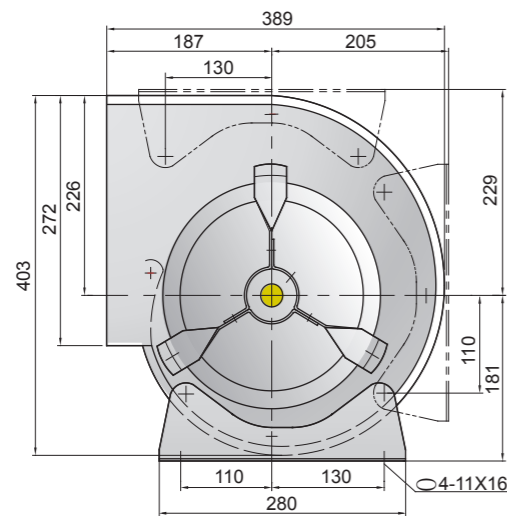
Type: SYB250 II		m: 22.45 kg		P _N : 0.8kW-4P					
		U: 380 v		f _i : 50HZ					
		I _N : 2.31 A		IP: IP44					
工况点	风机转速 n(r/min)	125Hz	250Hz	500Hz	1kHz	2kHz	4kHz	8kHz	L _{wm} dB (A)
A	1434	68.2	71.8	70.8	72.7	70.7	68.5	66.5	78.8
B	1425	67.7	72.2	70.3	72.2	70.6	68.2	69.0	78.8
C	1412	66.1	72.0	69.9	71.9	70.5	68.2	61.0	78.1
D	1394	65.2	72.8	70.8	73.5	72.2	70.4	63.0	79.4
E	1378	64.3	73.2	72.5	75.6	74.5	73.1	65.4	81.1
F	1355	63.8	73.5	74.2	77.8	76.6	80.5	76.6	85.0

外形及安装尺寸

Overall Size

外形及安装尺寸

Overall Size



技术参数

Technical Data

技术参数

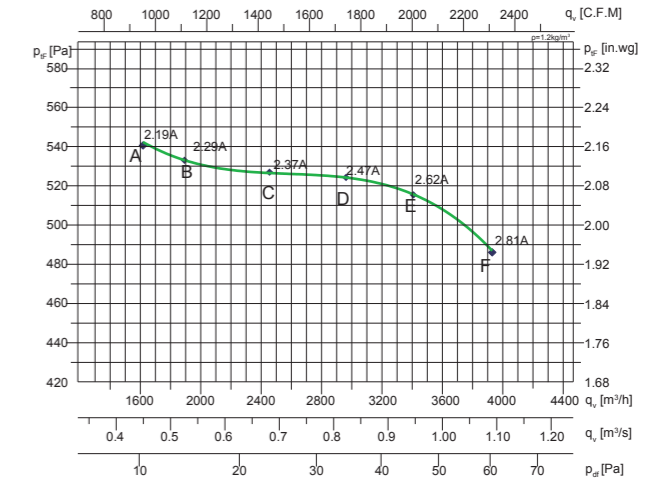
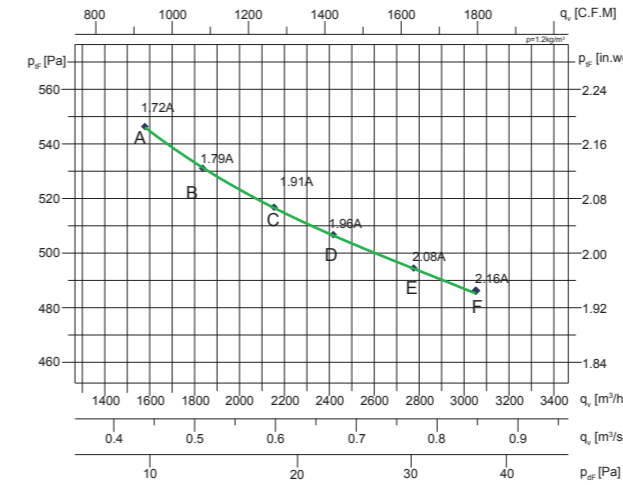
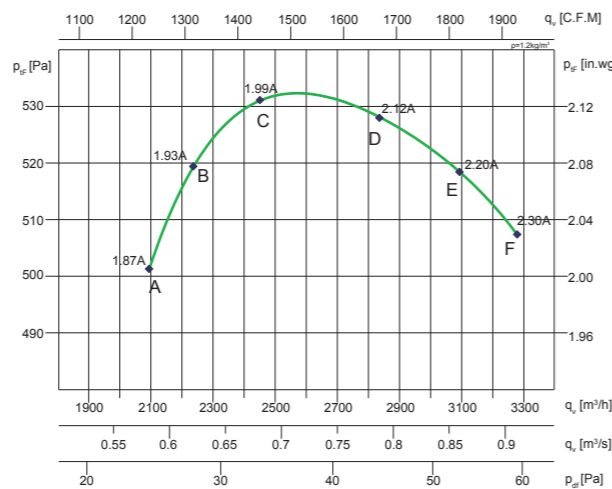
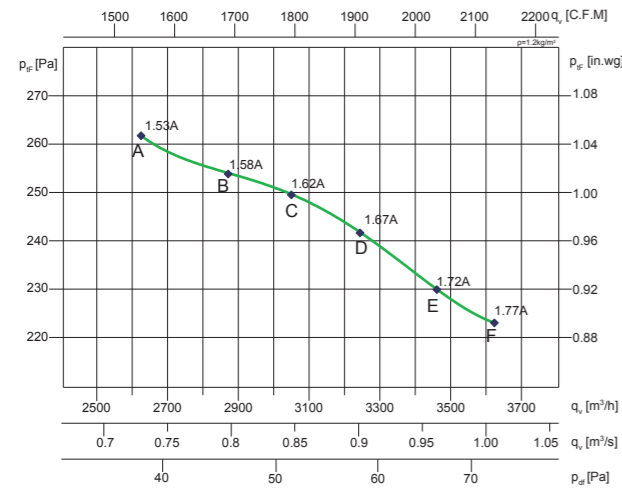
Technical Data

SYB280 I 0.55kW-6P

SYB280 I 0.8kW-4P

SYB280 II 0.8kW-4P

SYB280 II 1kW-4P



Type: SYB280 I		m: 24 kg	P_N : 0.55kW-6P						
		U: 380 v	f_1 : 50HZ						
		I_N : 1.83 A	IP: IP44						
工况点	风机转速 n(r/min)	125Hz	250Hz	500Hz	1kHz	2kHz	4kHz	8kHz	L_{wA} dB (A)
A	941	56.6	63.8	66.5	69.9	65.1	64.3	60.8	73.8
B	932	56.2	64.5	67.7	71.5	67.2	66.5	62.1	75.4
C	927	58.0	64.8	68.6	72.8	68.4	67.9	62.4	76.5
D	920	58.8	66.4	70.7	74.6	71.0	70.7	64.5	78.6
E	912	59.6	67.1	71.7	75.8	72.3	72.0	65.6	79.6
F	905	59.6	68.0	72.9	76.8	73.7	73.3	66.8	80.9

Type: SYB280 I		m: 32.2 kg	P_N : 0.8kW-4P						
		U: 380 v	f_1 : 50HZ						
		I_N : 2.31 A	IP: IP44						
工况点	风机转速 n(r/min)	125Hz	250Hz	500Hz	1kHz	2kHz	4kHz	8kHz	L_{wA} dB (A)
A	1388	64.1	70.0	69.7	73.7	70.7	69.9	62.9	78.4
B	1379	61.8	68.9	69.5	74.0	71.2	70.6	69.2	78.8
C	1371	60.1	68.5	70.1	75.6	72.3	71.8	64.8	79.5
D	1347	60.1	68.7	70.7	76.4	73.1	72.5	65.2	80.2
E	1335	59.6	68.0	72.9	76.8	73.7	73.3	66.8	80.9
F	1317	60.2	69.0	71.0	77.3	74.0	73.6	66.7	81.1

Type: SYB280 II		m: 31.7 kg	P_N : 0.8kW-4P						
		U: 380 v	f_1 : 50HZ						
		I_N : 2.31 A	IP: IP44						
工况点	风机转速 n(r/min)	125Hz	250Hz	500Hz	1kHz	2kHz	4kHz	8kHz	L_{wA} dB (A)
A	1411	59.1	64.7	67.4	67.7	65.2	64.2	59.3	73.4
B	1405	58.7	66.7	69.1	68.9	66.2	65.4	59.6	74.8
C	1390	58.2	67.1	70.2	70.1	67.5	66.8	60.3	75.8
D	1379	59.1	67.9	70.7	71.2	68.8	68.1	61.0	76.7
E	1366	58.5	68.9	72.1	72.5	70.3	69.6	62.2	78.0
F	1353	58.1	70.0	73.6	74.0	71.8	71.2	63.4	79.5

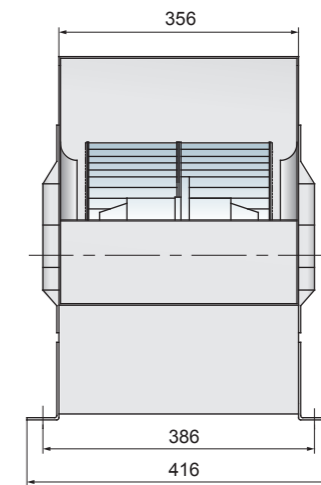
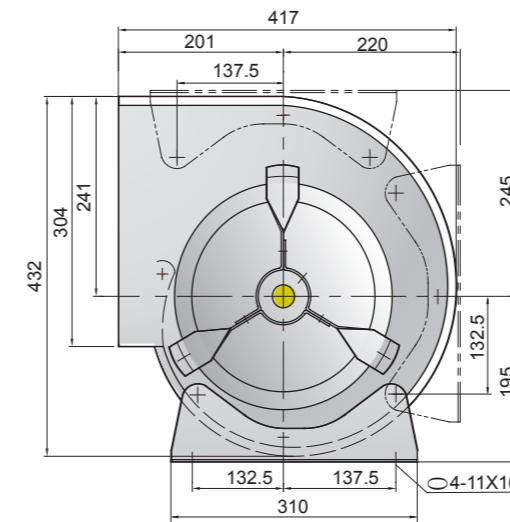
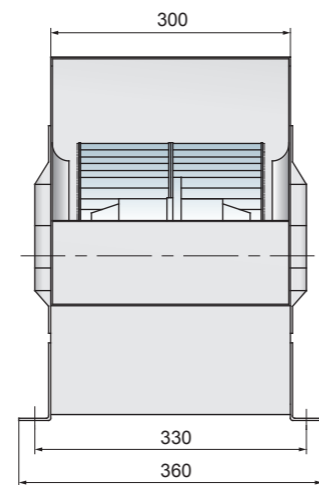
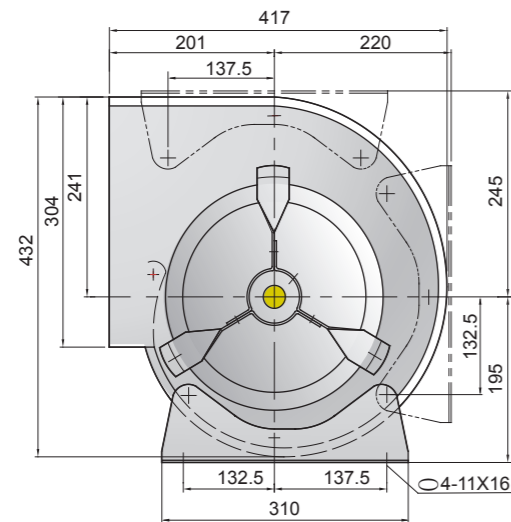
Type: SYB280 II		m: 29.5 kg	P_N : 1kW-4P						
		U: 380 v	f_1 : 50HZ						
		I_N : 3.02 A	IP: IP54						
工况点	风机转速 n(r/min)	125Hz	250Hz	500Hz	1kHz	2kHz	4kHz	8kHz	L_{wA} dB (A)
A	1442	70.5	75.0	73.3	75.3	73.1	71.5	63.6	81.3
B	1439	70.6	74.6	73.2	74.8	72.9	71.5	63.7	81.0
C	1426	67.0	75.5	72.7	74.3	71.8	70.8	63.9	80.6
D	1413	65.6	74.4	74.1	75.9	73.6	72.3	64.7	81.4
E	1399	65.2	74.3	74.8	77.8	75.3	74.0	66.6	82.7
F	1385	64.8	74.6	76.5	79.6	77.7	76.5	66.6	84.5

外形及安装尺寸

Overall Size

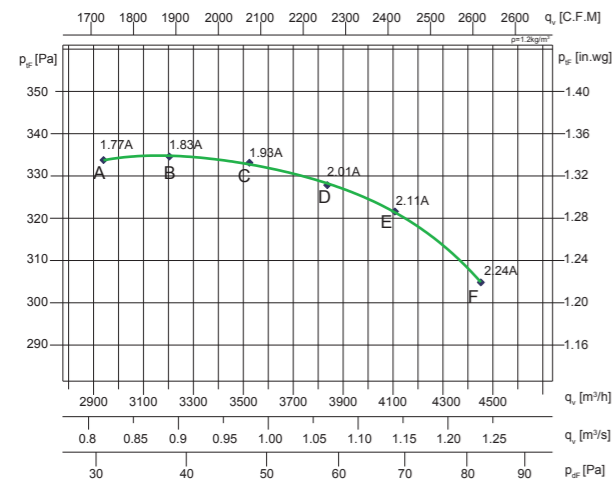
外形及安装尺寸

Overall Size



技术参数

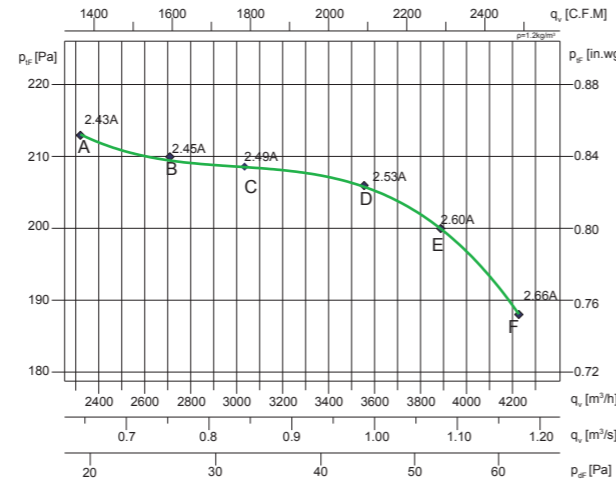
SYB315 I 0.8kW-6P



Type: SYB315 I		m: 42.2 kg		P _N : 0.8kW-6P					
		U: 380 v		f ₁ : 50HZ					
		I _N : 2.35 A		IP: IP44					
工况点	风机转速 n(r/min)	125Hz	250Hz	500Hz	1kHz	2kHz	4kHz	8kHz	L _{wa} dB (A)
A	952	61.3	67.5	68.6	68.7	66.1	65.3	61.2	74.9
B	947	60.7	68.8	71.1	70.7	68.1	67.4	61.8	76.7
C	940	60.2	69.1	72.2	72.0	69.4	68.8	62.5	77.7
D	932	61.1	70.0	72.7	73.1	70.7	70.1	63.2	78.7
E	925	60.5	71.0	74.0	74.4	72.2	71.7	64.3	80.0
F	916	60.1	72.1	75.5	75.9	73.7	73.2	65.6	81.4

Technical Data

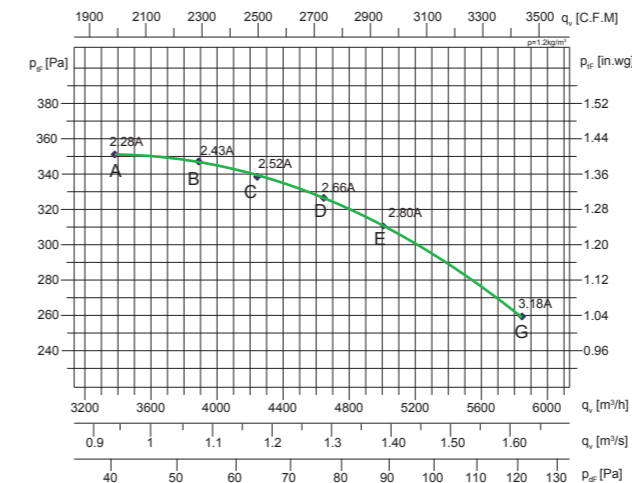
SYB315 I 0.8kW-8P



Type: SYB315 I		m: 43.8 kg		P _N : 0.8kW-8P					
		U: 380 v		f ₁ : 50HZ					
		I _N : 2.69 A		IP: IP44					
工况点	风机转速 n(r/min)	125Hz	250Hz	500Hz	1kHz	2kHz	4kHz	8kHz	L _{wa} dB (A)
A	745	54.9	59.3	63.9	70.0	57.1	56.7	59.7	71.9
B	743	54.8	59.3	63.0	72.1	58.6	57.1	59.5	73.3
C	741	54.7	59.7	63.7	70.0	59.5	57.9	59.5	72.0
D	739	54.4	60.8	64.5	71.2	61.3	59.5	59.8	73.1
E	737	55.1	62.2	65.7	70.3	62.9	61.2	59.6	73.1
F	732	56.1	64.9	67.3	71.9	65.7	64.2	59.9	75.0

技术参数

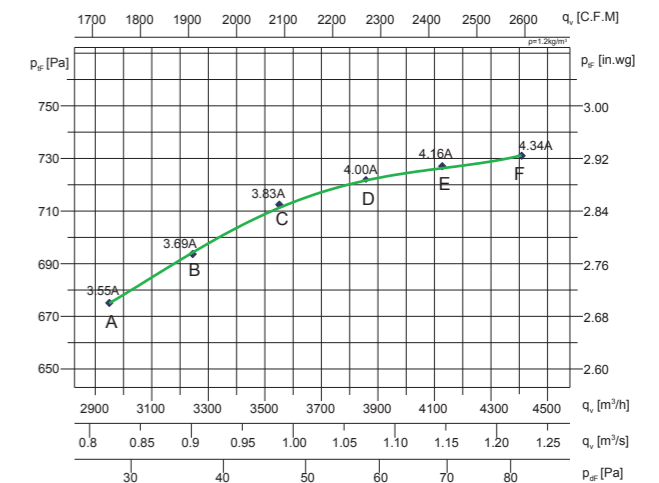
SYB315 I 1.1kW-6P



Type: SYB315 I		m: 43.8 kg		P _N : 1.1kW-6P					
		U: 380 v		f ₁ : 50HZ					
		I _N : 3.3 A		IP: IP44					
工况点	风机转速 n(r/min)	125Hz	250Hz	500Hz	1kHz	2kHz	4kHz	8kHz	L _{wa} dB (A)
A	958	61.5	67.2	69.9	70.0	67.5	66.7	61.9	75.8
B	952	61.2	69.2	71.5	71.2	68.6	67.9	62.3	77.2
C	944	60.7	69.6	72.6	72.4	69.9	69.3	62.9	78.2
D	934	61.5	70.4	73.1	73.5	71.1	70.6	63.6	79.2
E	928	61.0	71.4	74.5	74.8	72.6	72.1	64.8	80.5
F	903	61.9	73.5	77.3	77.5	75.4	75.0	67.4	83.1

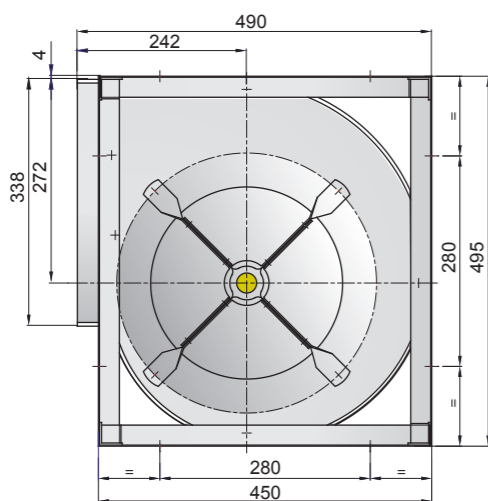
Technical Data

SYB315 I 1.8kW-4P

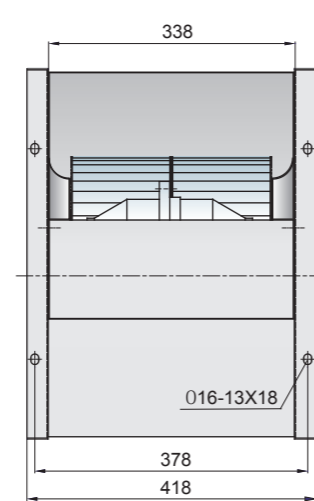


Type: SYB315 I		m: 46.7 kg		P _N : 1.8kW-4P					
		U: 380 v		f ₁ : 50HZ					
		I _N : 4.7 A		IP: IP44					
工况点	风机转速 n(r/min)	125Hz	250Hz	500Hz	1kHz	2kHz	4kHz	8kHz	L _{wa} dB (A)
A	1447	75.5	73.2	74.2	75.3	70.0	67.3	62.2	82.5
B	1443	77.9	75.4	73.2	75.4	70.3	67.5	62.3	82.5
C	1436	76.2	72.5	73.2	75.4	71.0	69.0	63.6	83.0
D	1428	76.9	72.7	73.5	76.7	72.1	69.1	64.7	83.7
E	1422	77.3	73.0	75.6	75.2	71.8	70.0	65.5	84.0
F	1415	79.8	74.3	76.4	78.1	73.2	71.5	66.6	85.6

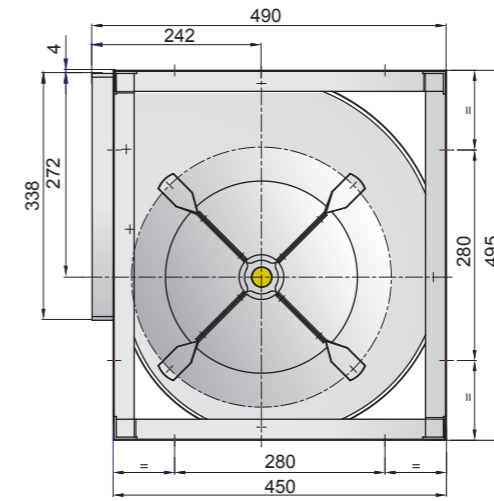
外形及安装尺寸



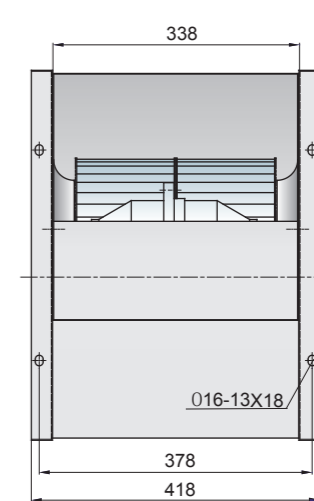
Overall Size



外形及安装尺寸



Overall Size



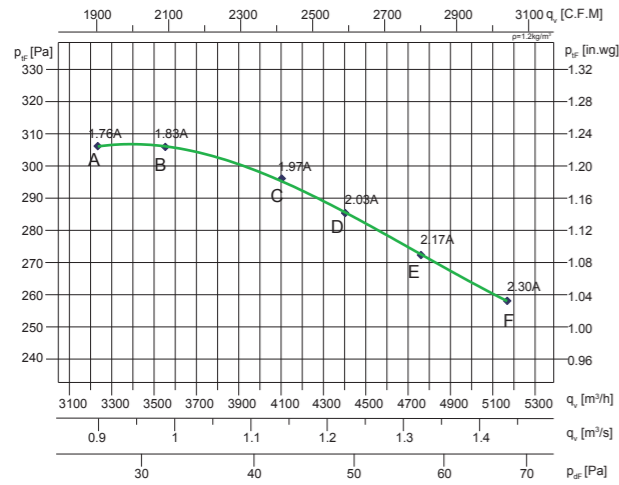
技术参数

Technical Data

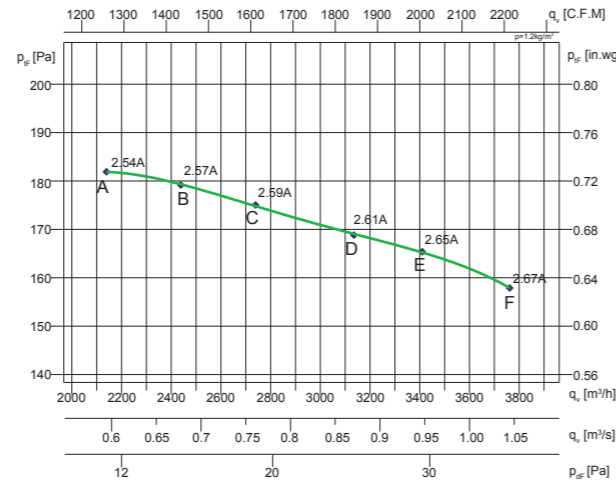
技术参数

Technical Data

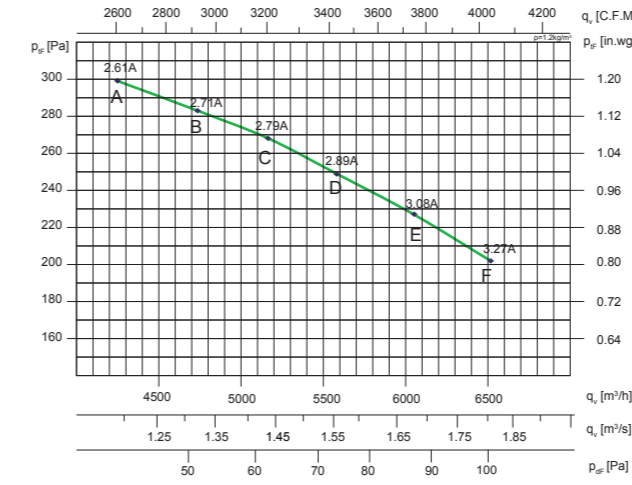
SYB315 II 0.8kW-6P



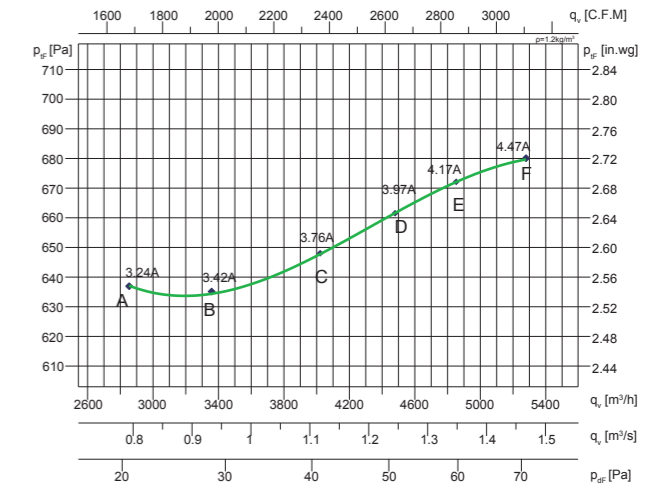
SYB315 II 0.8kW-8P



SYB315 II 1.1kW-6P



SYB315 II 1.8kW-4P



Type: SYB315 II	m: 40.5 kg	P _N : 0.8kW-6P							
	U: 380 v	f ₁ : 50HZ							
	I _N : 2.3 A	IP: IP44							
工况点	风机转速 n (r/min)	125Hz	250Hz	500Hz	1kHz	2kHz	4kHz	8kHz	L _w dB (A)
A	955	57.6	61.9	62.1	64.2	62.3	61.4	52.5	69.8
B	949	58.6	62.4	63.6	66.1	64.2	63.7	55.2	71.5
C	938	59.4	63.3	65.8	68.7	66.8	66.5	58.7	73.8
D	930	59.4	64.8	67.5	70.7	68.8	68.5	61.0	75.7
E	926	60.0	65.9	69.2	72.2	70.6	70.5	63.1	77.4
F	912	60.0	67.3	70.6	74.3	72.4	72.2	65.0	79.1

Type: SYB315 II	m: 42.1 kg	P _N : 0.8kW-8P							
	U: 380 v	f ₁ : 50HZ							
	I _N : 2.69 A	IP: IP44							
工况点	风机转速 n (r/min)	125Hz	250Hz	500Hz	1kHz	2kHz	4kHz	8kHz	L _w dB (A)
A	739	47.5	51.6	53.5	58.3	50.3	47.7	40.3	61.1
B	738	47.6	51.7	53.3	55.8	51.0	48.5	40.4	60.0
C	736	47.5	52.2	54.5	56.4	52.0	49.9	40.9	60.8
D	732	47.5	52.3	54.9	56.7	52.6	50.8	41.4	61.2
E	729	48.2	52.8	55.0	55.8	54.2	52.9	43.4	61.6
F	723	48.5	54.1	56.3	58.1	56.0	55.3	46.3	63.4

Type: SYB315 II	m: 42.1 kg	P _N : 1.1kW-6P							
	U: 380 v	f ₁ : 50HZ							
	I _N : 3.3 A	IP: IP44							
工况点	风机转速 n (r/min)	125Hz	250Hz	500Hz	1kHz	2kHz	4kHz	8kHz	L _w dB (A)
A	957	57.5	61.7	62.0	64.1	62.1	61.3	52.4	69.7
B	952	58.4	62.3	63.4	66.0	64.0	63.5	55.1	71.3
C	944	59.3	63.2	65.6	68.5	66.6	66.3	58.6	73.7
D	938	59.2	64.7	67.4	70.5	68.6	68.4	60.9	75.6
E	930	59.8	65.7	69.1	72.0	70.4	70.3	62.9	77.2
F	924	59.8	67.1	70.5	74.1	72.2	72.1	64.9	79.0

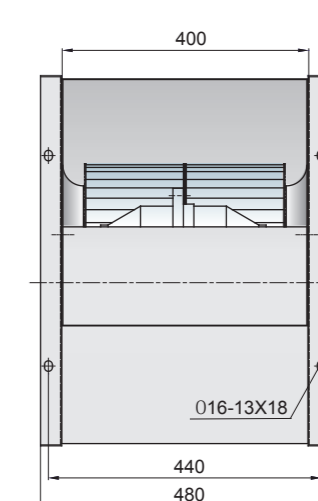
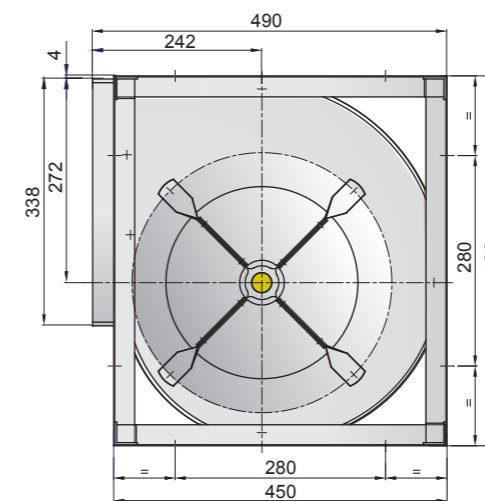
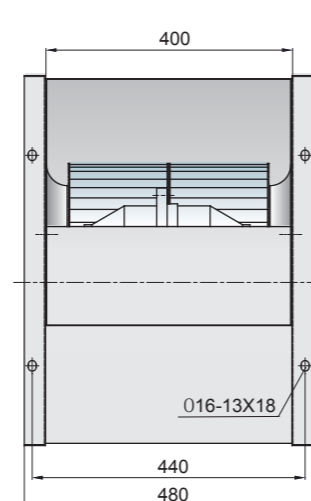
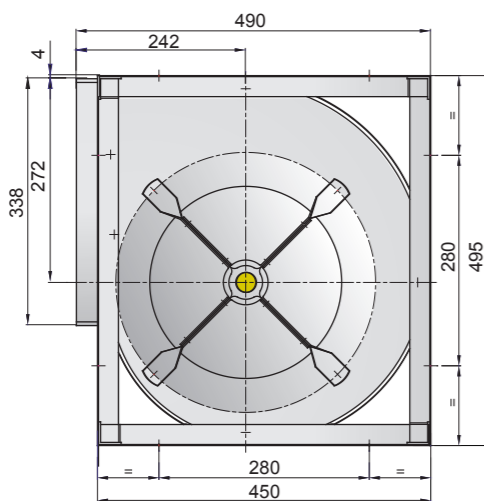
Type: SYB315 II	m: 42 kg	P _N : 1.8kW-4P							
	U: 380 v	f ₁ : 50HZ							
	I _N : 4.7 A	IP: IP44							
工况点	风机转速 n (r/min)	125Hz	250Hz	500Hz	1kHz	2kHz	4kHz	8kHz	L _w dB (A)
A	1455	75.7	77.9	75.8	79.7	78.0	76.6	69.2	85.4
B	1446	73.1	77.7	76.7	80.5	79.0	77.5	70.1	85.9
C	1434	73.2	77.8	77.5	81.6	80.1	78.7	71.2	86.8
D	1426	76.4	78.3	78.3	82.7	81.3	79.8	72.4	87.9
E	1415	76.2	79.3	79.5	83.6	82.6	81.0	73.7	88.9
F	1407	76.2	79.5	80.4	83.4	83.5	82.1	74.8	89.5

外形及安装尺寸

Overall Size

外形及安装尺寸

Overall Size



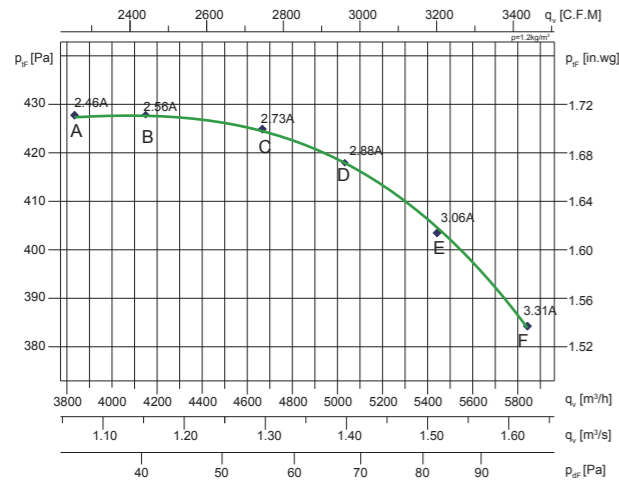
技术参数

Technical Data

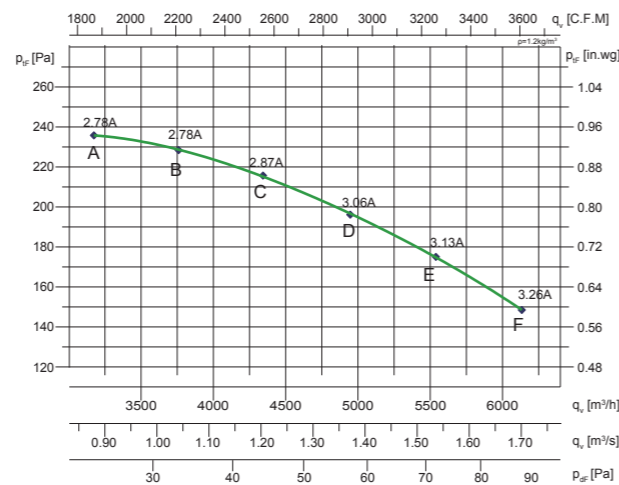
技术参数

Technical Data

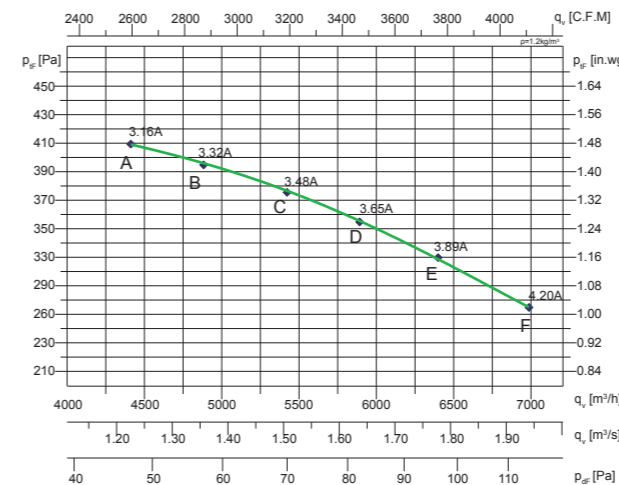
SYB355 I 1.1kW-6P



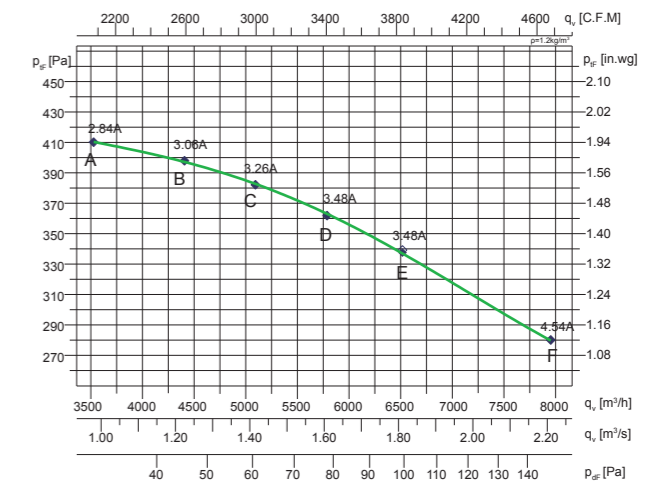
SYB355 I 1.1kW-8P



SYB355 I 1.5kW-6P



SYB355 I 1.8kW-6P



Type: SYB355 I		m: 46.8 kg	P _N : 1.1kW-6P						
		U: 380 v	f ₁ : 50HZ						
		I _N : 3.3 A	IP: IP44						
工况点	风机转速 n(r/min)	125Hz	250Hz	500Hz	1kHz	2kHz	4kHz	8kHz	L _{wa} dB (A)
A	958	63.9	66.7	71.8	75.2	71.7	71.1	64.6	79.4
B	950	64.8	67.3	72.9	76.9	73.5	72.7	65.7	80.9
C	941	64.4	67.9	74.0	78.2	75.2	74.1	67.0	82.2
D	932	65.5	69.0	75.5	79.7	77.0	75.8	68.7	83.7
E	924	65.9	69.9	76.4	81.1	78.6	77.2	70.1	85.1
F	911	68.7	71.1	77.4	82.4	80.2	78.8	71.7	86.5

Type: SYB355 I		m: 53 kg	P _N : 1.1kW-8P						
		U: 380 v	f ₁ : 50HZ						
		I _N : 3.67 A	IP: IP44						
工况点	风机转速 n(r/min)	125Hz	250Hz	500Hz	1kHz	2kHz	4kHz	8kHz	L _{wa} dB (A)
A	734	55.7	58.5	62.0	62.2	58.1	55.1	45.6	67.3
B	730	57.2	59.3	64.3	63.8	61.7	59.9	48.2	69.5
C	725	58.6	60.5	67.0	66.1	64.4	63.6	52.0	72.1
D	722	58.7	62.6	68.2	69.1	67.2	66.7	56.6	74.4
E	716	61.2	63.7	71.1	71.8	69.7	69.3	60.6	77.1
F	710	60.8	65.7	72.9	74.1	72.2	71.7	64.0	79.3

Type: SYB355 I		m: 53 kg	P _N : 1.5kW-6P						
		U: 380 v	f ₁ : 50HZ						
		I _N : 4.2 A	IP: IP44						
工况点	风机转速 n(r/min)	125Hz	250Hz	500Hz	1kHz	2kHz	4kHz	8kHz	L _{wa} dB (A)
A	961	65.1	67.5	73.1	77.2	73.8	72.9	66.0	81.1
B	956	64.6	68.2	74.2	78.5	75.4	74.4	67.3	82.4
C	949	65.7	69.2	75.7	80.0	77.3	76.1	68.9	84.0
D	943	66.1	70.2	76.7	81.4	78.8	77.5	70.3	85.3
E	936	68.9	71.3	77.7	82.6	80.4	79.0	71.9	86.7
F	927	68.0	72.6	79.0	84.1	82.4	84.6	73.7	89.3

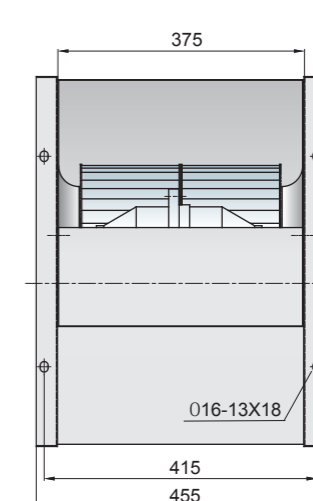
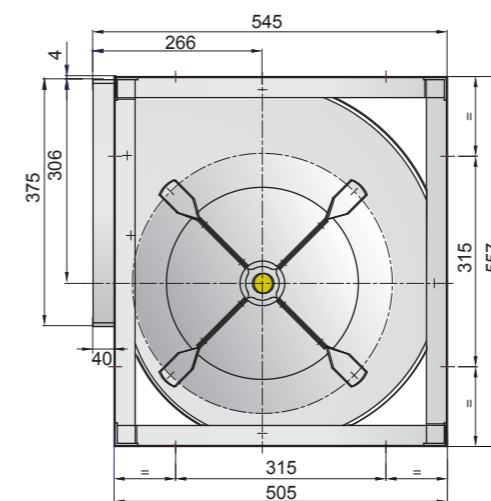
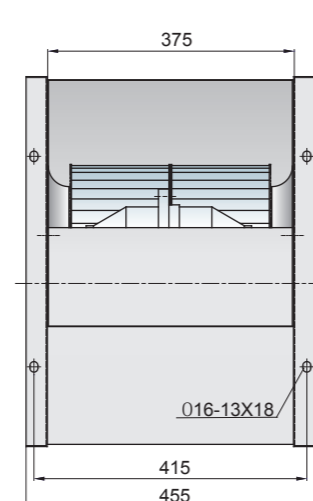
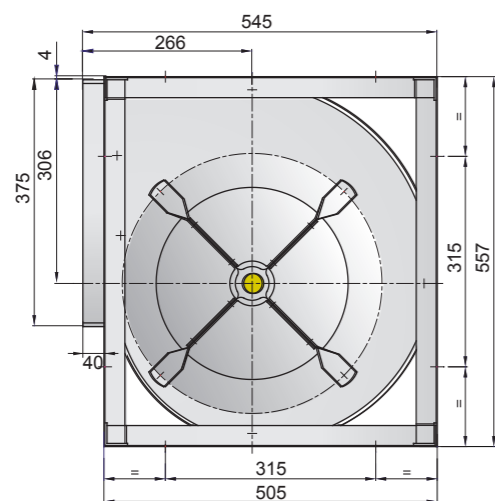
Type: SYB355 I		m: 55.6 kg	P _N : 1.8kW-6P						
		U: 380 v	f ₁ : 50HZ						
		I _N : 4.8 A	IP: IP44						
工况点	风机转速 n(r/min)	125Hz	250Hz	500Hz	1kHz	2kHz	4kHz	8kHz	L _{wa} dB (A)
A	965	63.7	69.2	72.3	76.3	72.9	72.1	64.7	80.4
B	956	64.2	70.8	74.4	78.4	75.4	74.4	66.8	82.5
C	948	65.0	71.3	75.7	79.9	77.5	76.3	68.8	84.1
D	939	67.0	72.7	76.8	81.7	79.4	78.1	70.8	85.8
E	929	67.5	74.1	78.1	83.4	81.3	79.9	72.7	87.5
F	906	69.4	75.6	79.5	84.8	83.2	81.6	74.4	89.1

外形及安装尺寸

Overall Size

外形及安装尺寸

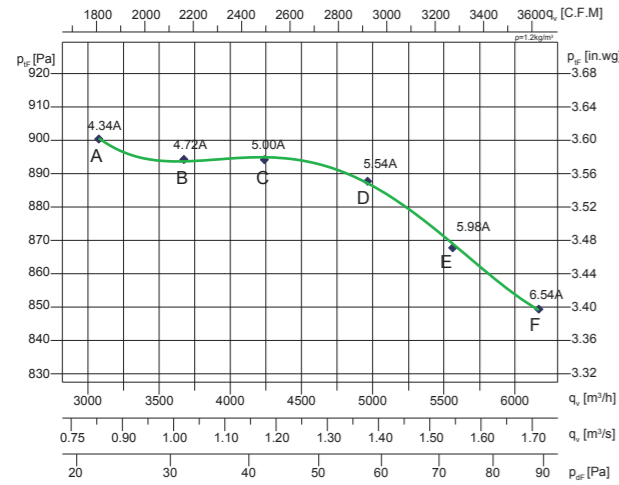
Overall Size



技术参数

Technical Data

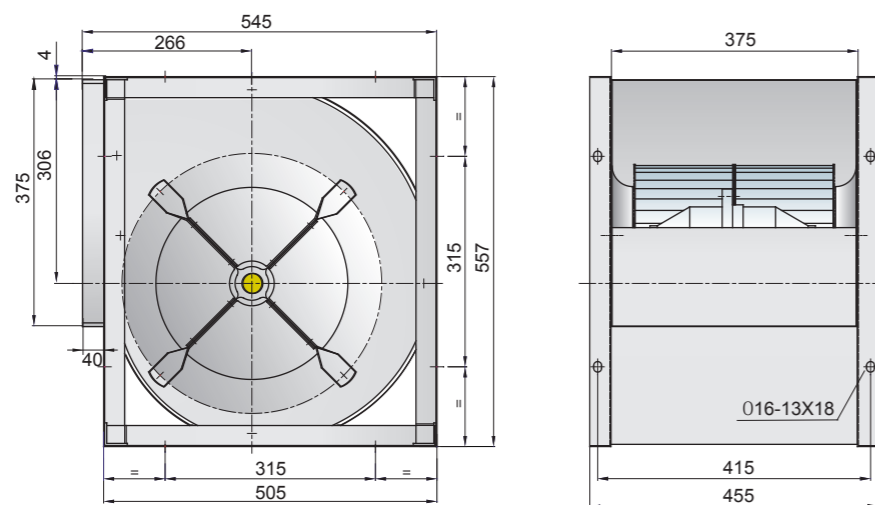
SYB355 I 3kW-4P



Type: SYB355 I		m: 57 kg		P _N : 3kW-4P					
		U: 380 v		f _i : 50HZ					
		I _N : 6.95 A		IP: IP44					
工况点	风机转速 n(r/min)	125Hz	250Hz	500Hz	1kHz	2kHz	4kHz	8kHz	L _{wa} dB (A)
A	1466	73.0	75.5	76.9	79.3	77.5	76.4	69.9	84.8
B	1462	72.8	74.3	75.7	79.4	77.3	76.5	70.3	84.5
C	1456	72.4	75.2	76.7	80.5	78.1	77.3	71.2	85.3
D	1448	71.6	75.7	77.9	81.9	79.4	78.2	72.2	86.4
E	1439	71.0	75.8	78.8	82.9	80.6	79.4	73.2	87.4
F	1440	69.6	76.1	80.1	85.4	83.6	81.8	75.7	89.6

外形及安装尺寸

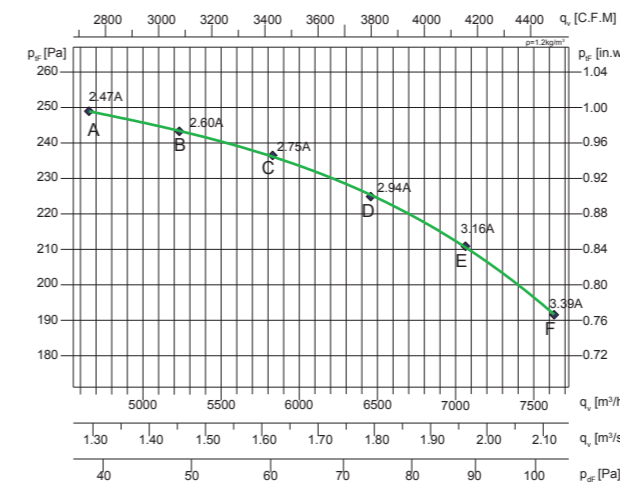
Overall Size



技术参数

Technical Data

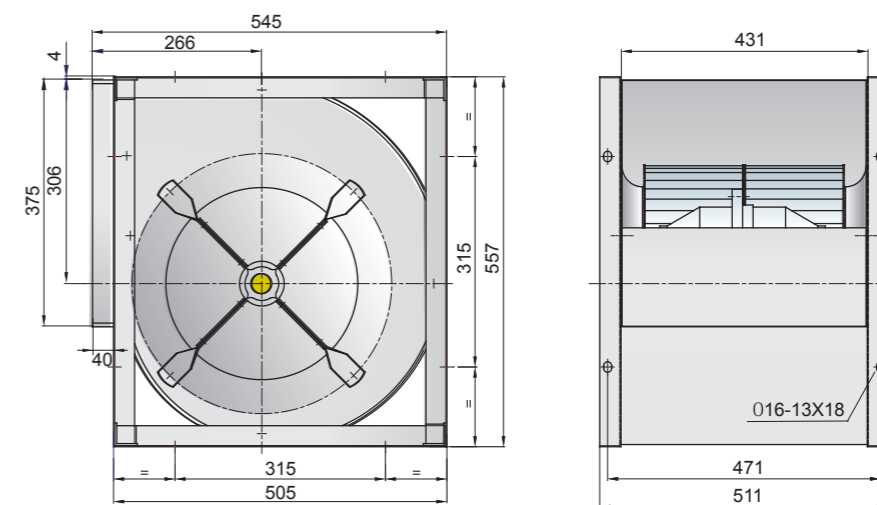
SYB355 II 1.1kW-8P



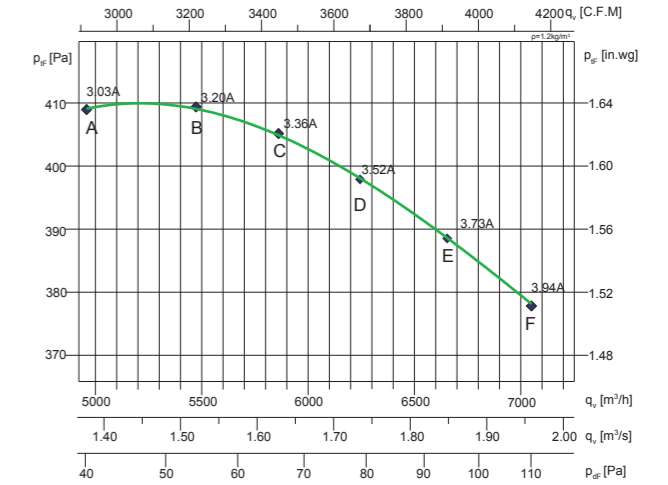
Type: SYB355 II		m: 53.8 kg		P _N : 1.1kW-8P					
		U: 380 v		f _i : 50HZ					
		I _N : 3.67 A		IP: IP44					
工况点	风机转速 n(r/min)	125Hz	250Hz	500Hz	1kHz	2kHz	4kHz	8kHz	L _{wa} dB (A)
A	731	57.5	59.6	64.6	64.1	62.0	60.3	48.6	69.9
B	732	58.9	60.9	67.4	66.5	64.8	64.0	52.3	72.5
C	716	59.1	63.0	68.5	69.4	67.5	67.1	56.9	74.8
D	716	61.5	64.0	71.4	72.2	70.1	69.7	61.0	77.4
E	705	61.2	66.0	73.3	74.5	72.6	72.1	64.3	79.6
F	698	62.6	67.7	74.2	76.7	74.8	74.1	67.0	81.5

外形及安装尺寸

Overall Size



SYB355 II 1.5kW-6P



Type: SYB355 II		m: 53.8 kg		P _N : 1.5kW-6P					
		U: 380 v		f _i : 50HZ					
		I _N : 4.2 A		IP: IP44					
工况点	风机转速 n(r/min)	125Hz	250Hz	500Hz	1kHz	2kHz	4kHz	8kHz	L _{wa} dB (A)
A	951	68.1	71.0	72.2	77.0	74.4	75.7	69.3	82.0
B	944	69.9	71.5	74.5	77.7	76.1	75.3	70.1	82.9
C	938	74.4	71.7	74.6	78.7	77.6	75.1	67.5	83.8
D	931	70.8	71.8	75.1	79.3	78.3	76.1	68.4	84.2
E	923	73.6	73.1	76.5	80.6	79.3	77.1	69.7	85.4
F	916	69.2	73.4	76.8	81.5	80.5	78.3	71.1	86.1

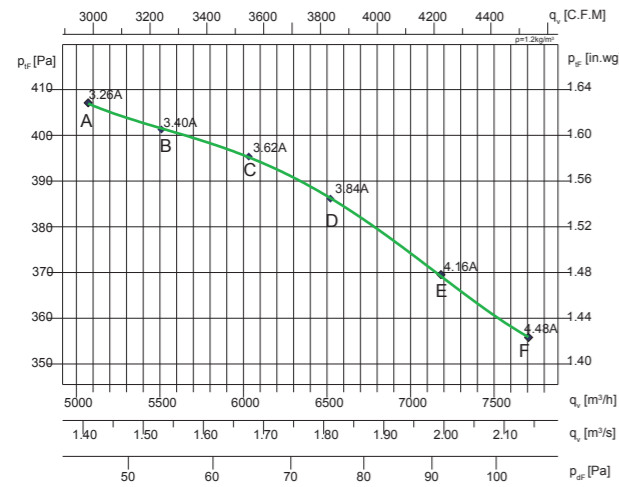
技术参数

Technical Data

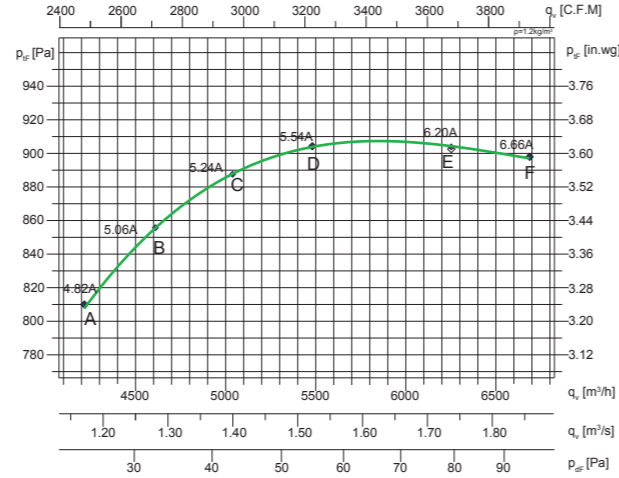
技术参数

Technical Data

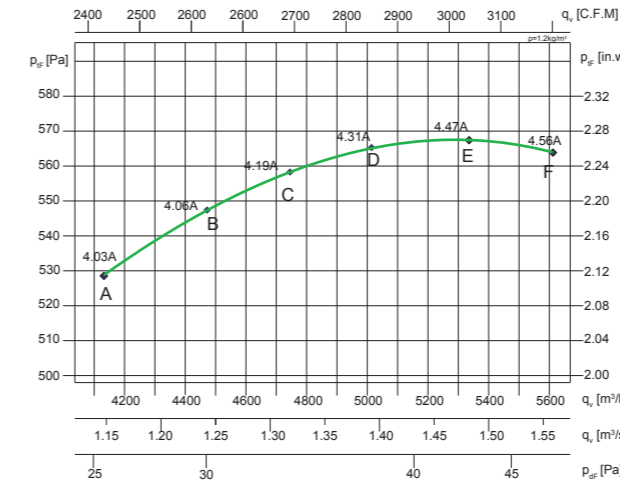
SYB355 II 1.8kW-6P



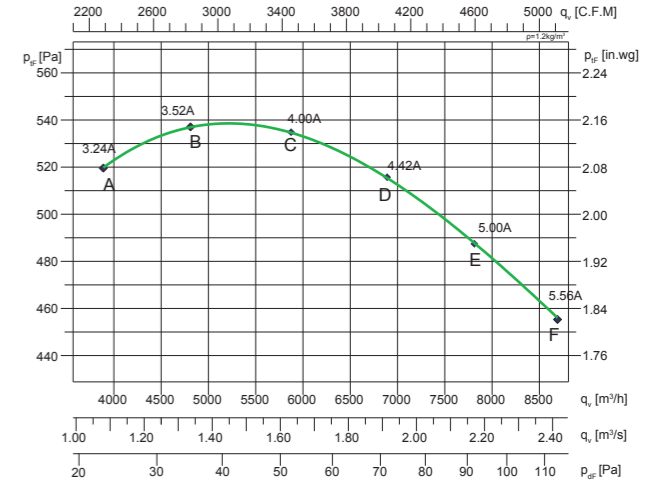
SYB355 II 3kW-4P



SYB400 I 1.8kW-6P



SYB400 I 2.2kW-6P



Type: SYB355 II		m: 56.4 kg		P _N : 1.8kW-6P					
		U: 380 v		f ₁ : 50HZ					
		I _N : 4.8 A		IP: IP44					
工况点	风机转速 n(r/min)	125Hz	250Hz	500Hz	1kHz	2kHz	4kHz	8kHz	L _{wa} dB (A)
A	956	68.4	71.3	72.5	77.3	74.7	76.1	69.7	82.3
B	950	70.2	71.8	74.8	78.1	76.4	75.6	70.5	83.3
C	943	74.7	72.1	75.0	79.1	78.0	75.5	67.9	84.2
D	936	71.1	72.1	75.5	79.7	78.6	76.5	68.7	84.5
E	925	74.0	73.5	76.9	80.9	79.6	77.5	70.0	85.8
F	917	69.5	73.7	77.1	81.8	80.9	78.6	71.4	86.5

Type: SYB355 II		m: 57.8 kg		P _N : 3kW-4P					
		U: 380 v		f ₁ : 50HZ					
		I _N : 6.69 A		IP: IP44					
工况点	风机转速 n(r/min)	125Hz	250Hz	500Hz	1kHz	2kHz	4kHz	8kHz	L _{wa} dB (A)
A	1479	74.5	76.1	78.2	79.8	79.0	77.2	70.1	85.7
B	1441	73.6	76.6	77.8	79.7	76.8	77.1	70.2	85.2
C	1480	73.3	75.9	77.3	79.7	77.9	76.8	70.2	85.2
D	1454	73.2	74.7	76.1	79.9	77.6	76.9	70.7	84.9
E	1441	72.7	75.6	77.1	80.9	78.4	77.7	71.5	85.7
F	1430	72.0	76.1	78.2	82.3	79.7	78.7	72.5	86.8

Type: SYB400 I		m: 61.2 kg		P _N : 1.8kW-6P					
		U: 380 v		f ₁ : 50HZ					
		I _N : 4.8 A		IP: IP44					
工况点	风机转速 n(r/min)	125Hz	250Hz	500Hz	1kHz	2kHz	4kHz	8kHz	L _{wa} dB (A)
A	963	75.8	70.5	71.5	77.7	74.5	72.7	63.1	82.3
B	959	72.8	71.2	72.8	78.5	76.3	74.2	65.1	82.9
C	956	77.1	72.5	74.1	80.0	78.1	75.9	67.3	84.8
D	954	76.8	71.6	74.4	80.4	78.7	76.4	68.3	85.1
E	949	76.4	70.4	74.6	80.5	79.1	76.7	69.2	85.2
F	946	77.7	70.9	76.4	82.4	81.1	78.7	71.7	87.0

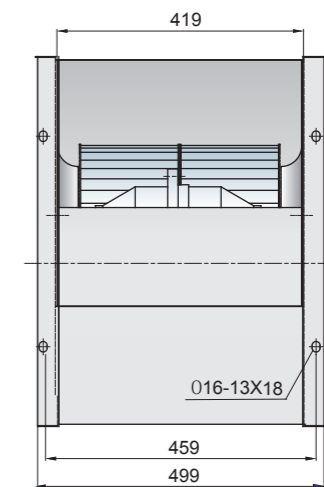
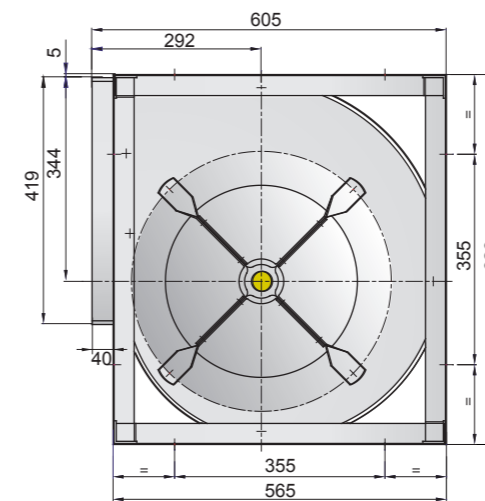
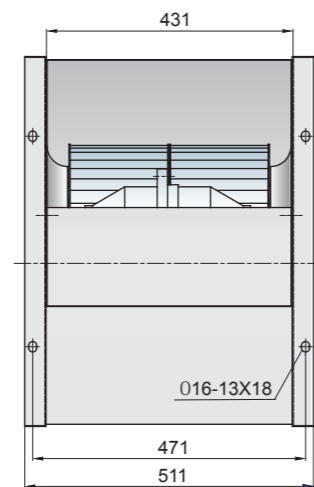
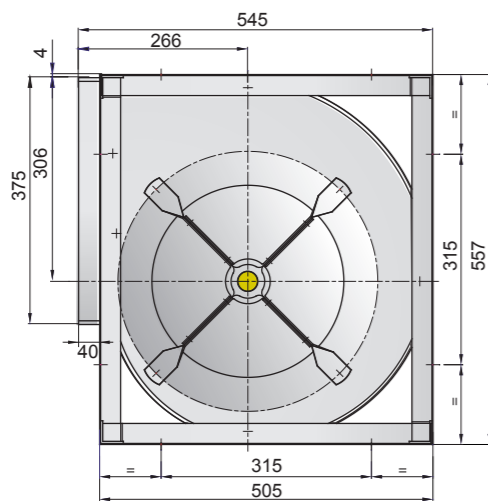
Type: SYB400 I		m: 65 kg		P _N : 2.2kW-6P					
		U: 380 v		f ₁ : 50HZ					
		I _N : 5.6 A		IP: IP44					
工况点	风机转速 n(r/min)	125Hz	250Hz	500Hz	1kHz	2kHz	4kHz	8kHz	L _{wa} dB (A)
A	973	71.5	68.9	71.0	76.3	72.4	70.5	60.6	80.3
B	960	75.7	70.2	70.8	77.2	73.4	71.6	62.0	81.8
C	979	76.3	70.9	71.9	78.1	74.9	73.0	63.5	81.7
D	970	73.3	71.5	73.3	78.9	76.7	74.6	65.5	83.3
E	933	77.5	72.9	74.6	80.4	78.5	76.3	67.7	85.2
F	896	78.8	73.4	76.4	82.2	80.6	78.2	70.2	87.0

外形及安装尺寸

Overall Size

外形及安装尺寸

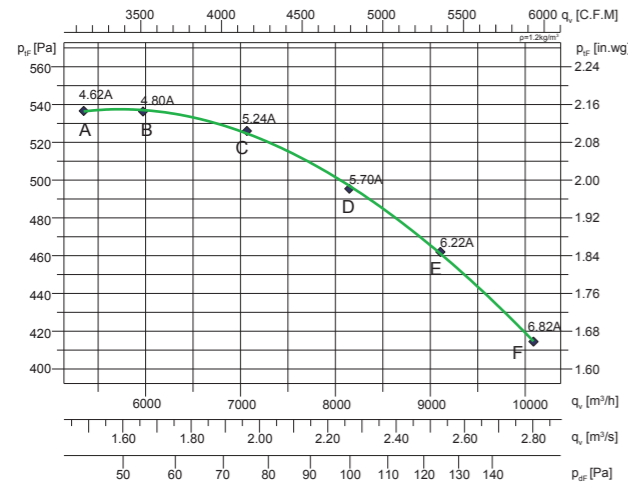
Overall Size



技术参数

Technical Data

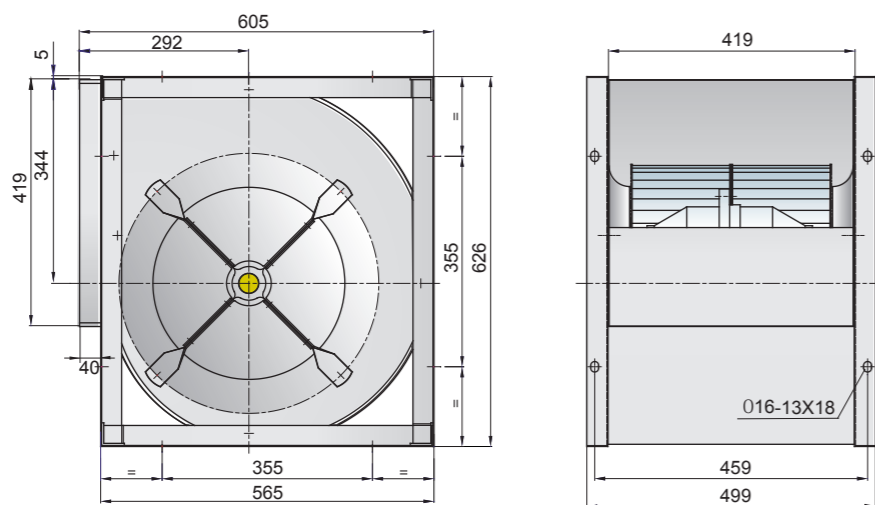
SYB400 I 3kW-6P



Type: SYB400 I		m: 76.4 kg	P _N : 3kW-6P						
		U: 380 v	f ₁ : 50HZ						
		I _N : 7.5 A	IP: IP44						
工况点	风机转速 n(r/min)	125Hz	250Hz	500Hz	1kHz	2kHz	4kHz	8kHz	L _{wa} dB (A)
A	974	76.1	70.5	71.1	77.4	73.8	71.8	62.3	82.0
B	970	76.6	71.1	72.2	78.3	75.3	73.2	63.8	83.0
C	963	73.6	71.7	73.6	79.1	77.0	74.8	65.8	83.5
D	954	77.8	73.1	74.9	80.6	78.8	76.5	68.0	85.5
E	946	79.1	73.6	76.7	72.4	80.9	78.4	70.6	87.2
F	937	74.5	74.8	78.3	73.5	82.5	80.1	72.6	88.1

外形及安装尺寸

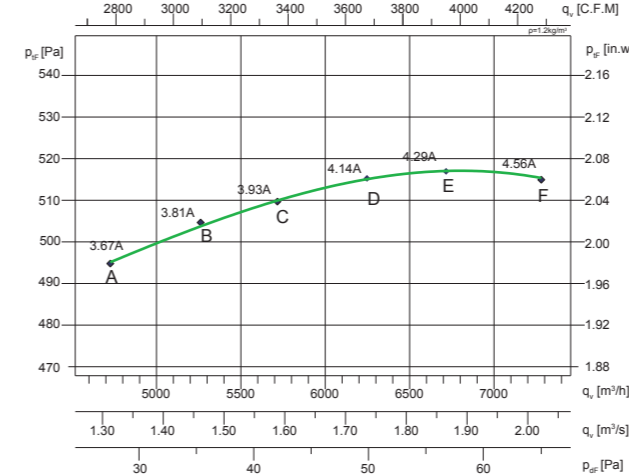
Overall Size



技术参数

Technical Data

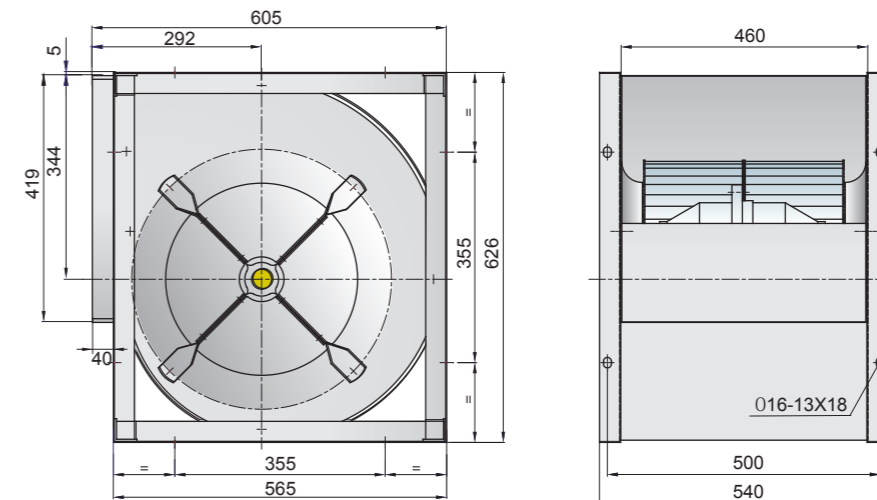
SYB400 II 1.8kW-6P



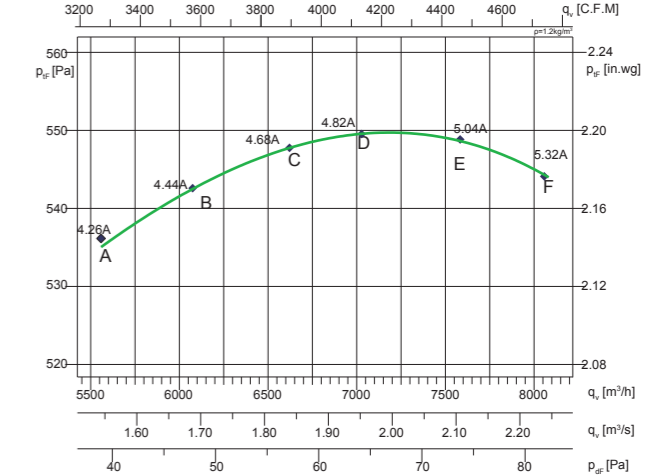
Type: SYB400 II		m: 78.3 kg	P _N : 1.8kW-6P						
		U: 380 v	f ₁ : 50HZ						
		I _N : 0.56 A	IP: IP44						
工况点	风机转速 n(r/min)	125Hz	250Hz	500Hz	1kHz	2kHz	4kHz	8kHz	L _{wa} dB (A)
A	976	70.2	64.8	65.9	72.0	68.9	67.0	57.5	76.7
B	970	67.3	65.4	67.2	72.8	70.7	68.5	59.5	77.2
C	966	71.5	66.8	68.5	74.3	72.5	70.2	61.7	79.2
D	959	72.7	67.3	70.3	76.1	74.6	72.2	64.2	80.9
E	950	68.2	68.5	72.0	77.2	76.2	73.8	66.3	81.8
F	943	66.0	69.9	73.6	78.7	77.9	75.6	68.3	83.3

外形及安装尺寸

Overall Size



SYB400 II 2.2kW-6P

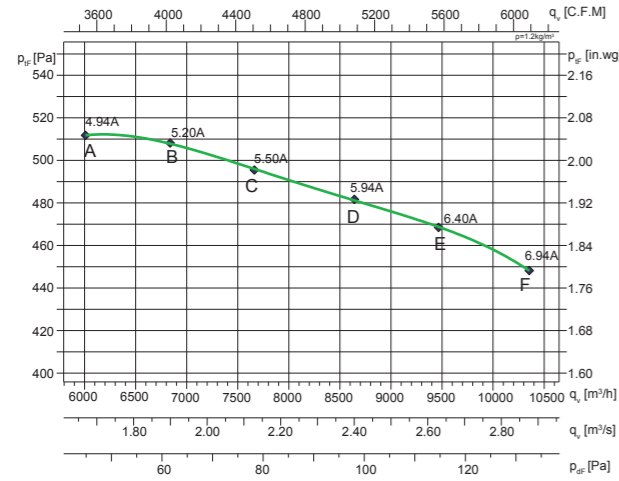


Type: SYB400 II		m: 81.3 kg	P _N : 2.2kW-6P						
		U: 380 v	f ₁ : 50HZ						
		I _N : 0.79 A	IP: IP44						
工况点	风机转速 n(r/min)	125Hz	250Hz	500Hz	1kHz	2kHz	4kHz	8kHz	L _{wa} dB (A)
A	968	71.9	66.5	67.6	73.7	70.6	68.7	59.2	78.4
B	963	69.0	67.2	68.9	74.5	72.4	70.2	61.2	79.0
C	959	73.2	68.5	70.3	76.0	74.2	71.9	63.4	80.9
D	955	74.5	69.0	72.0	77.8	76.3	73.9	65.9	82.6
E	950	69.9	70.3	73.7	78.9	77.9	75.5	68.0	83.5
F	946	67.7	71.6	75.3	80.4	79.6	77.3	70.0	85.0

技术参数

Technical Data

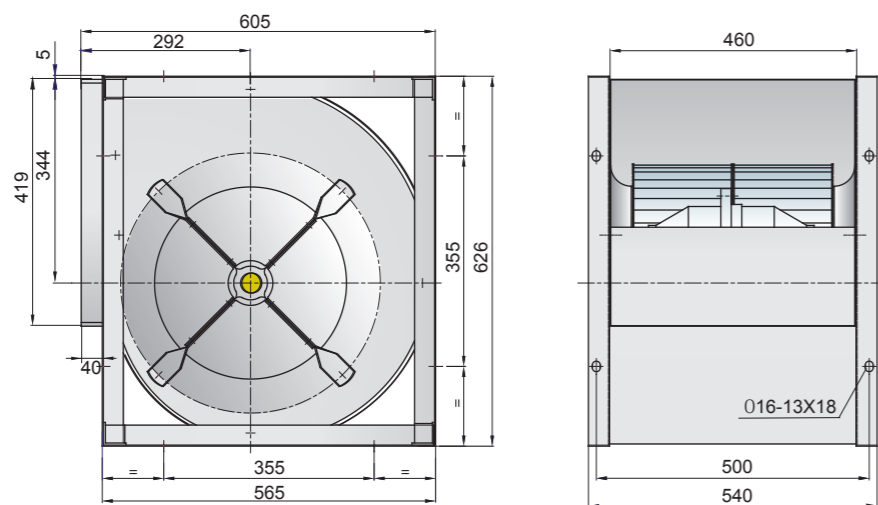
SYB400 II 3kW-6P



Type: SYB400 II		m: 75.7 kg	P _N : 3kW-6P						
		U: 380 v	f ₁ : 50HZ						
		I _N : 7.6 A	IP: IP44						
工况点	风机转速 n(r/min)	125Hz	250Hz	500Hz	1kHz	2kHz	4kHz	8kHz	L _{wa} dB (A)
A	972	75.8	70.3	70.8	77.3	73.5	71.7	62.1	81.9
B	969	76.4	70.9	72.0	78.1	75.0	73.1	63.6	82.8
C	964	72.4	71.6	73.4	78.9	76.8	74.6	65.6	83.4
D	957	77.6	72.9	74.7	80.4	78.6	76.3	67.8	85.3
E	951	78.9	73.5	76.5	82.2	80.7	78.3	70.3	87.0
F	942	74.3	74.7	78.1	83.3	72.3	79.9	72.4	87.9

外形及安装尺寸

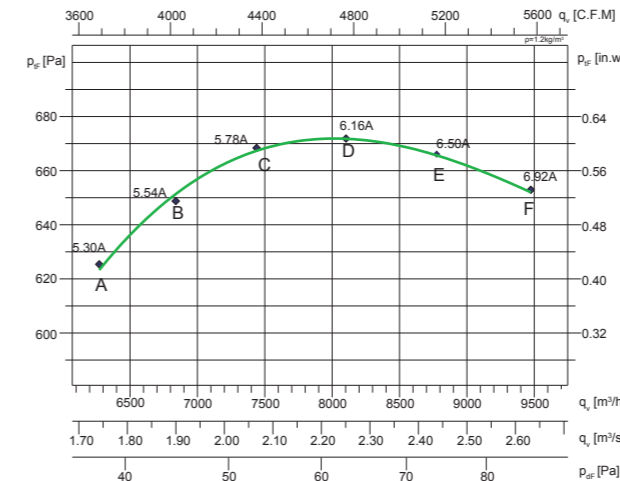
Overall Size



技术参数

Technical Data

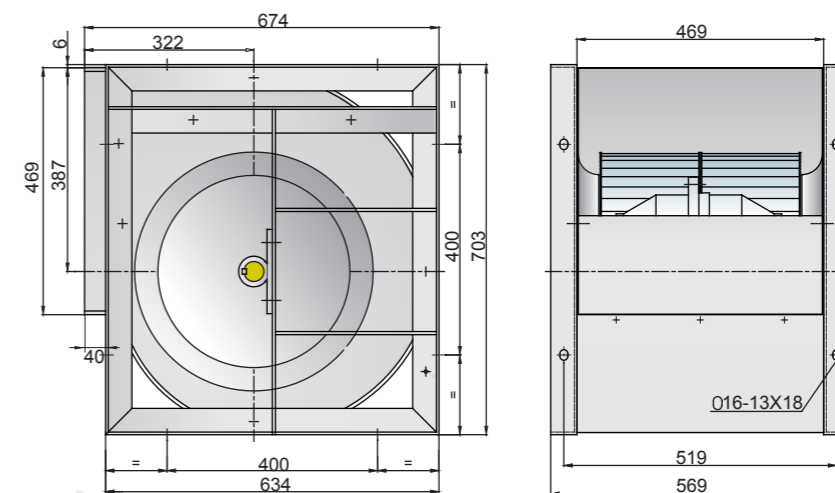
SYB450 I 3kW-6P



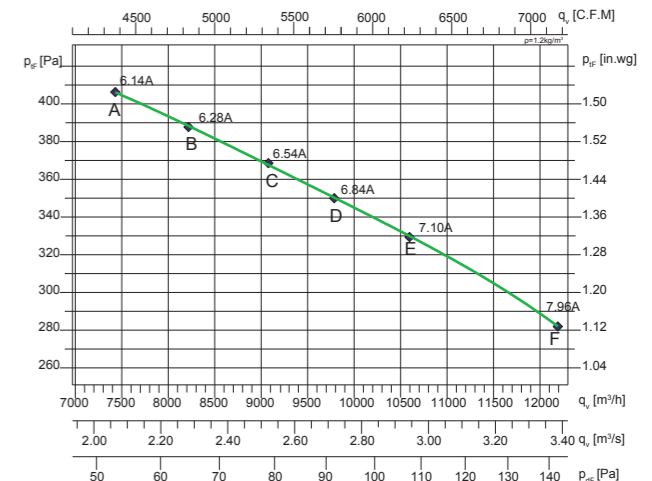
Type: SYB450 I		m: 86.8 kg	P _N : 3kW-6P						
		U: 380 v	f ₁ : 50HZ						
		I _N : 7.5 A	IP: IP44						
工况点	风机转速 n(r/min)	125Hz	250Hz	500Hz	1kHz	2kHz	4kHz	8kHz	L _{wa} dB (A)
A	962	68.6	69.2	76.6	74.2	72.2	70.7	63.7	80.7
B	958	67.5	69.7	78.0	76.0	74.4	71.3	64.4	82.0
C	954	61.1	69.8	78.6	77.3	75.4	72.4	65.5	82.9
D	949	66.0	70.2	80.5	78.2	75.8	73.7	66.6	84.1
E	944	66.3	71.0	81.6	79.8	77.9	74.7	67.9	85.5
F	939	67.4	72.3	81.9	81.7	79.6	75.6	69.2	86.6

外形及安装尺寸

Overall Size



SYB450 I 3kW-8P

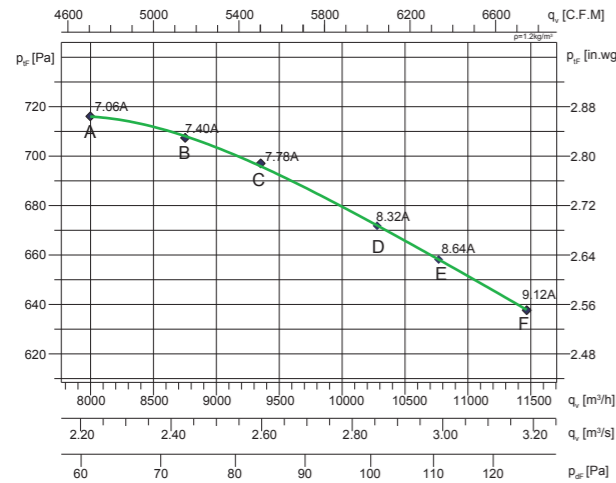


Type: SYB450 I		m: 96 kg	P _N : 3kW-8P						
		U: 380 v	f ₁ : 50HZ						
		I _N : 8.36 A	IP: IP44						
工况点	风机转速 n(r/min)	125Hz	250Hz	500Hz	1kHz	2kHz	4kHz	8kHz	L _{wa} dB (A)
A	727	66.5	70.6	77.8	76.2	74.2	71.3	62.0	79.3
B	725	67.6	72.2	79.8	78.2	76.3	73.0	63.9	84.4
C	722	68.7	73.3	80.9	80.5	78.7	75.4	66.4	82.0
D	717	69.5	74.3	82.8	82.3	80.5	77.2	68.5	84.0
E	713	70.7	76.0	83.3	84.2	82.5	79.1	66.7	85.8
F	704	71.6	76.9	85.0	85.8	84.0	80.6	72.0	89.0

技术参数

Technical Data

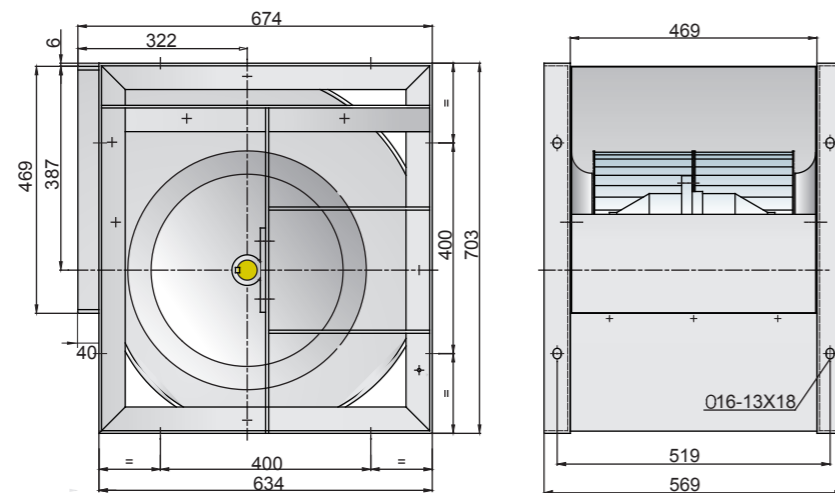
SYB450 I 4kW-6P



Type: SYB450 I		m: 96 kg		P _N : 4kW-6P					
		U: 380 v		f _i : 50HZ					
		I _N : 9.9 A		IP: IP44					
工况点	风机转速 n(r/min)	125Hz	250Hz	500Hz	1kHz	2kHz	4kHz	8kHz	L _{wa} dB (A)
A	965	69.3	73.0	81.8	80.5	78.6	75.6	68.7	86.1
B	961	69.2	73.4	83.7	81.4	79.0	76.9	69.8	87.3
C	958	69.5	74.2	84.8	83.0	81.1	77.9	71.1	88.7
D	951	70.6	75.5	85.1	84.9	82.8	78.8	72.4	89.8
E	949	71.0	75.9	85.8	85.0	82.6	80.0	73.0	90.2
F	944	71.7	76.7	85.9	86.2	84.1	81.3	74.3	91.1

外形及安装尺寸

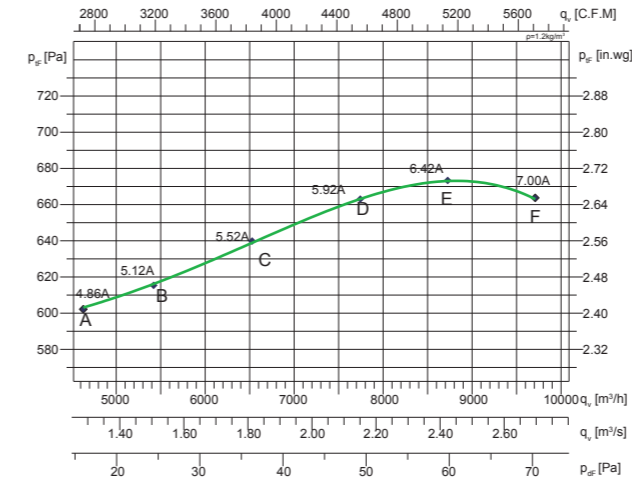
Overall Size



技术参数

Technical Data

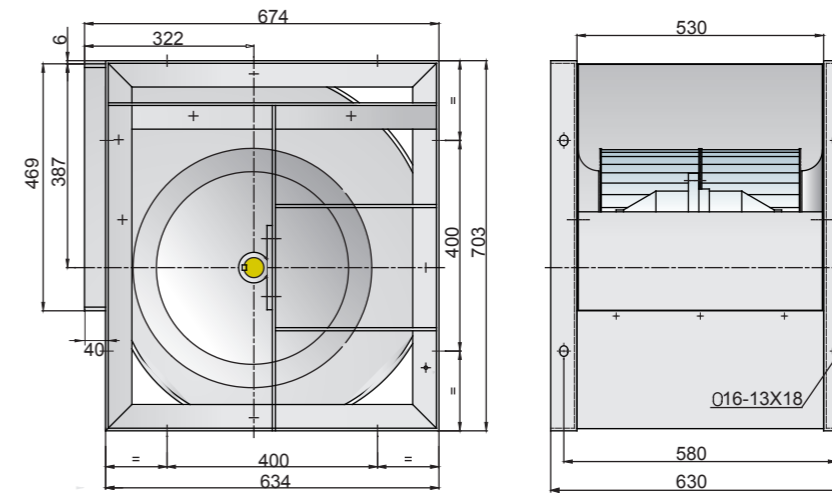
SYB450 II 3kW-6P



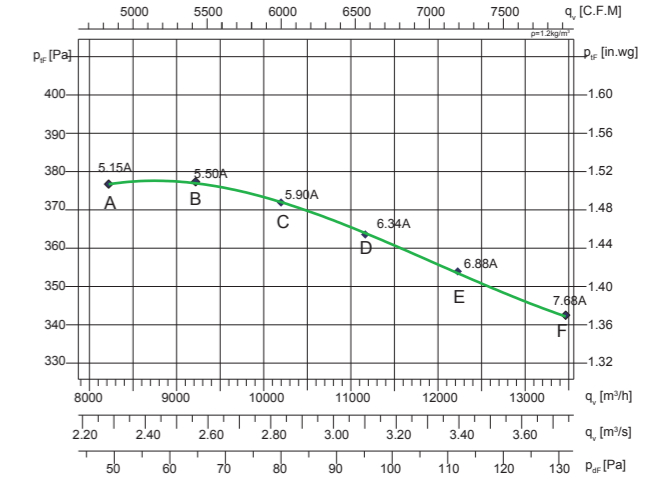
Type: SYB450 II		m: 94.2 kg		P _N : 3kW-6P					
		U: 380 v		f _i : 50HZ					
		I _N : 7.6 A		IP: IP44					
工况点	风机转速 n(r/min)	125Hz	250Hz	500Hz	1kHz	2kHz	4kHz	8kHz	L _{wa} dB (A)
A	971	73.9	73.3	75.2	81.2	76.3	73.2	65.6	84.5
B	968	74.5	73.3	75.0	79.8	76.1	73.4	65.7	83.8
C	963	73.5	73.1	74.8	79.8	76.1	73.5	65.9	83.7
D	960	72.0	72.3	74.4	79.8	76.4	74.2	66.9	83.6
E	954	71.3	73.2	74.8	80.7	77.3	74.9	68.1	84.4
F	941	71.6	73.6	75.5	81.6	78.5	76.1	69.3	85.3

外形及安装尺寸

Overall Size



SYB450 II 3kW-8P

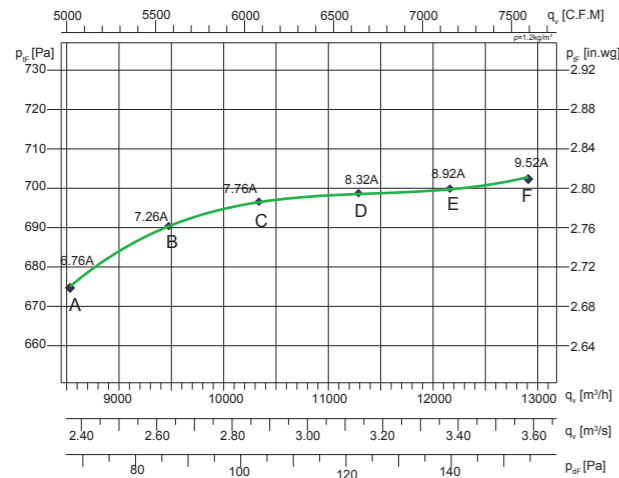


Type: SYB450 II		m: 103.4 kg		P _N : 3kW-8P					
		U: 380 v		f _i : 50HZ					
		I _N : 8.36 A		IP: IP44					
工况点	风机转速 n(r/min)	125Hz	250Hz	500Hz	1kHz	2kHz	4kHz	8kHz	L _{wa} dB (A)
A	725	63.9	67.2	74.0	72.1	70.4	67.9	58.6	78.3
B	720	64.4	68.5	75.7	74.1	72.1	69.2	59.9	79.9
C	716	65.5	70.1	77.7	76.1	74.2	70.9	61.8	81.9
D	708	66.6	71.2	78.8	78.4	76.6	73.3	64.3	83.7
E	701	67.4	72.2	80.7	80.2	78.4	75.1	66.4	85.4
F	691	68.6	73.9	81.2	82.1	80.4	77.0	64.6	86.9

技术参数

Technical Data

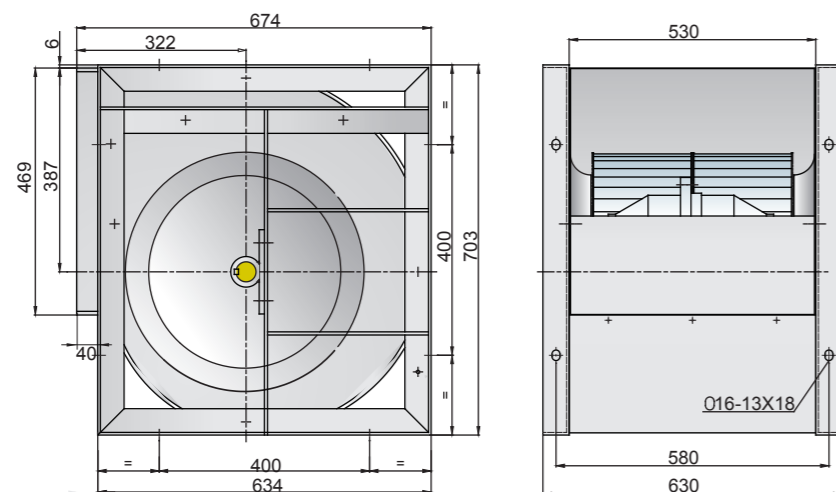
SYB450 II 4kW-6P



Type: SYB450 II	m: 103.4 kg	P_N : 4kW-6P							
	U: 380 v	f_1 : 50HZ							
	I_N : 9.9 A	IP: IP44							
工况点	风机转速 n(r/min)	125Hz	250Hz	500Hz	1kHz	2kHz	4kHz	8kHz	L_{wA} dB (A)
A	966	74.0	72.8	74.5	79.2	75.6	72.9	65.2	74.0
B	961	73.0	72.5	74.3	79.3	75.6	73.0	65.4	73.0
C	955	71.5	71.8	73.8	79.3	75.9	73.7	66.4	71.5
D	948	70.8	72.7	74.3	80.2	76.8	74.4	67.6	70.8
E	942	71.0	73.1	75.0	81.1	78.0	75.6	68.8	71.0
F	935	71.3	73.5	75.7	82.0	79.3	76.8	70.0	71.3

外形及安装尺寸

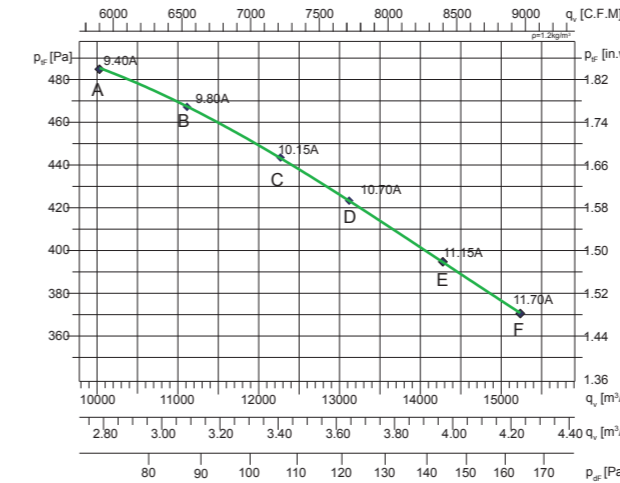
Overall Size



技术参数

Technical Data

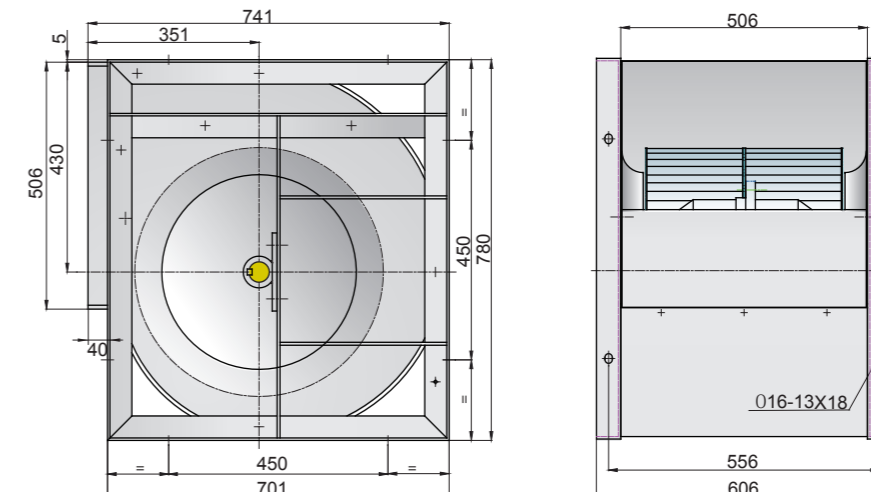
SYB500 I 5.5kW-8P



Type: SYB500 I	m: 132 kg	P_N : 5.5kW-8P							
	U: 380 v	f_1 : 50HZ							
	I_N : 14 A	IP: IP44							
工况点	风机转速 n(r/min)	125Hz	250Hz	500Hz	1kHz	2kHz	4kHz	8kHz	L_{wA} dB (A)
A	733	73.2	71.5	74.1	77.1	75.5	70.1	63.8	82.1
B	730	72.7	71.4	74.1	77.3	75.9	70.5	65.2	82.2
C	726	72.5	72.1	74.8	78.5	77.1	71.7	66.2	83.2
D	722	72.7	72.0	75.8	79.6	78.5	73.3	67.2	84.2
E	718	73.6	73.2	76.9	81.2	80.0	74.9	68.5	85.6
F	715	74.8	74.4	78.4	82.5	81.9	76.9	70.6	87.2

外形及安装尺寸

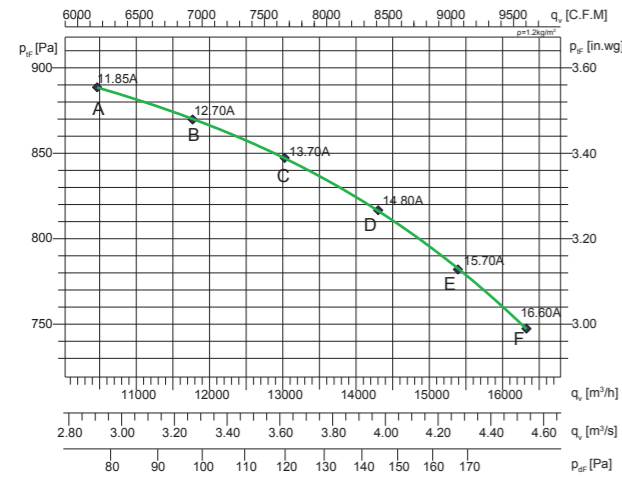
Overall Size



技术参数

Technical Data

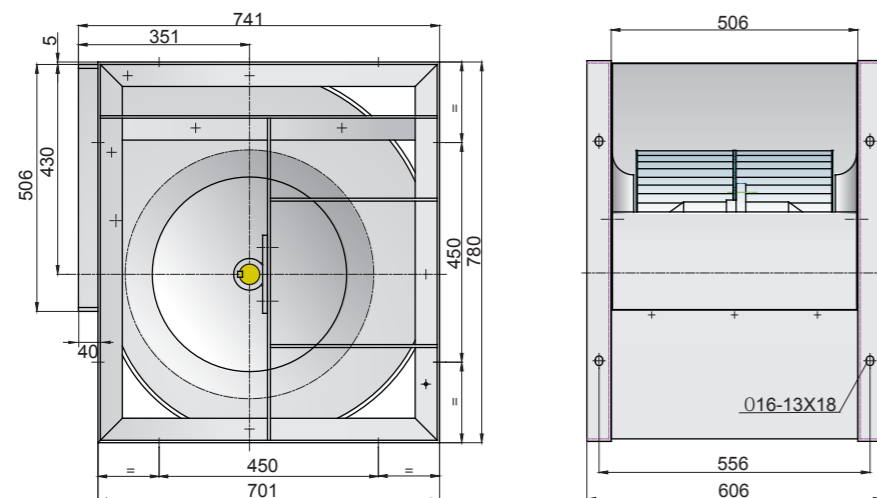
SYB500 I 7.5kW-6P



Type: SYB500 I		m: 135 kg	P_N : 7.5kW-6P						
		U: 380 v	f_1 : 50HZ						
		I_N : 17.7 A	IP: IP44						
工况点	风机转速 n(r/min)	125Hz	250Hz	500Hz	1kHz	2kHz	4kHz	8kHz	L_{wA} dB (A)
A	979	76.2	76.2	81.9	80.6	77.8	75.7	70.1	86.6
B	975	78.2	76.3	83.0	81.2	78.5	76.4	71.0	87.6
C	972	76.7	76.5	84.3	82.2	79.3	77.0	71.8	88.3
D	968	76.6	77.0	85.9	83.6	80.5	78.0	72.3	89.6
E	964	75.9	78.7	87.3	86.6	83.3	80.6	74.0	91.6
F	961	76.3	79.8	88.8	88.1	84.9	82.3	75.4	93.2

外形及安装尺寸

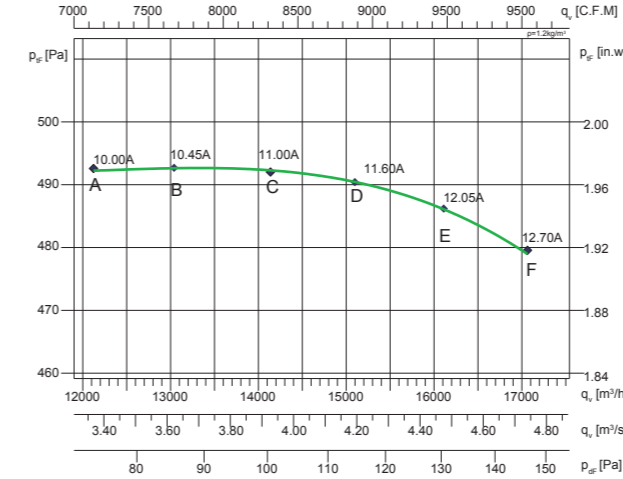
Overall Size



技术参数

Technical Data

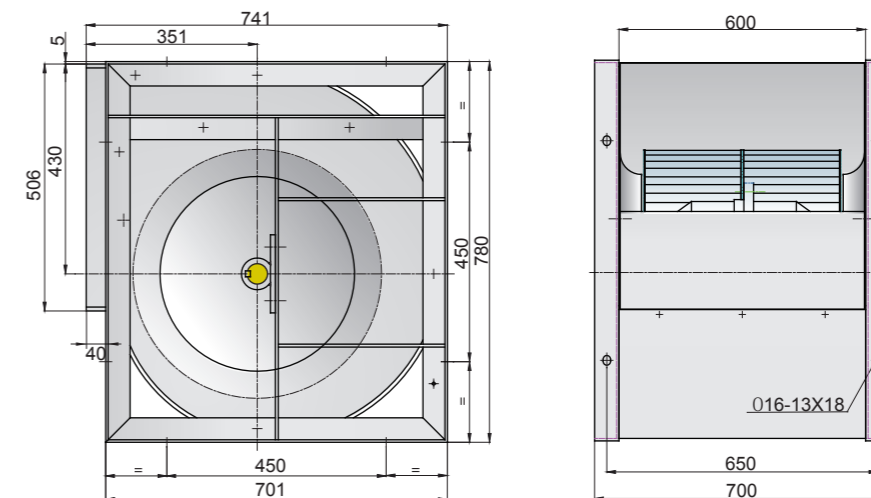
SYB500 II 5.5kW-8P



Type: SYB500 II		m: 130.6 kg	P_N : 5.5kW-8P						
		U: 380 v	f_1 : 50HZ						
		I_N : 14 A	IP: IP44						
工况点	风机转速 n(r/min)	125Hz	250Hz	500Hz	1kHz	2kHz	4kHz	8kHz	L_{wA} dB (A)
A	728	72.3	71.1	73.7	77.0	75.4	70.2	64.8	81.8
B	725	72.1	71.8	74.4	78.2	76.7	71.4	65.7	82.8
C	720	72.2	71.7	75.3	79.3	78.0	72.9	66.7	83.8
D	718	73.1	72.8	76.4	80.9	79.6	74.6	68.0	85.2
E	712	74.4	74.1	77.9	82.2	81.5	76.6	70.1	86.8
F	709	75.0	75.3	79.1	83.5	83.2	78.3	72.2	88.2

外形及安装尺寸

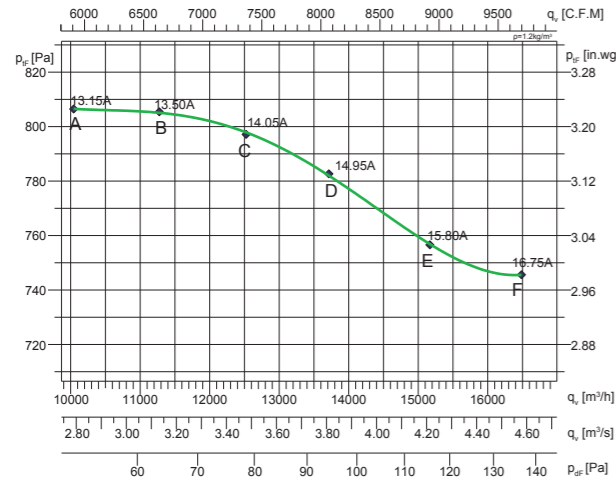
Overall Size



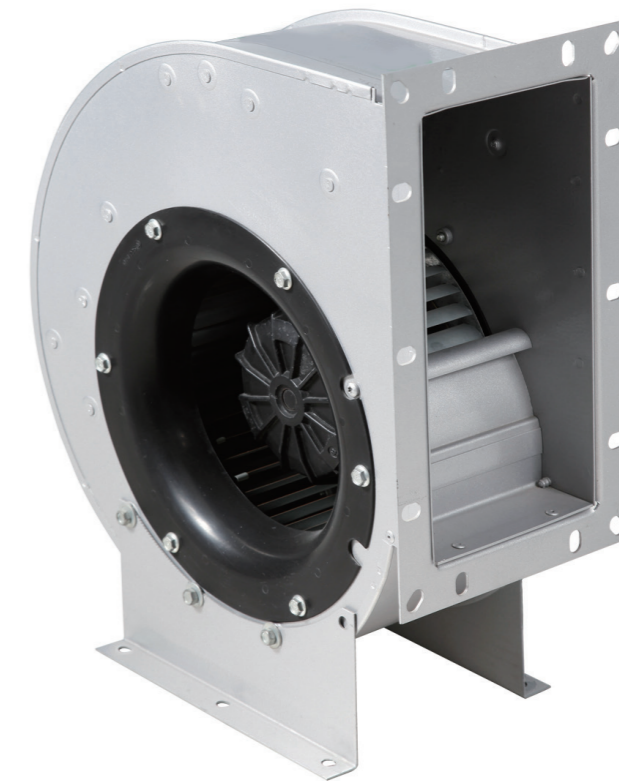
技术参数

Technical Data

SYB500 II 7.5kW-6P

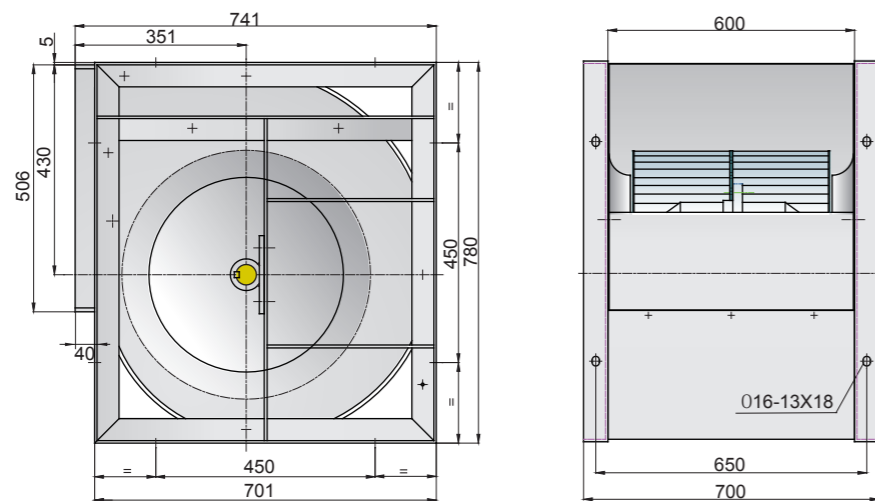


Type: SYB500 II		m: 136.2 kg		P _N : 7.5kW-6P					
		U: 380 v		f ₁ : 50HZ					
		I _N : 17.7 A		IP: IP44					
工况点	风机转速 n(r/min)	125Hz	250Hz	500Hz	1kHz	2kHz	4kHz	8kHz	L _{wa} dB (A)
A	984	77.9	77.3	78.8	83.0	80.2	76.0	68.5	87.3
B	982	77.2	77.9	79.5	84.4	81.8	77.6	70.9	88.5
C	979	77.4	77.9	80.5	85.5	83.2	79.1	71.9	89.5
D	976	78.2	79.0	81.6	87.0	84.7	80.7	73.2	90.9
E	972	79.5	80.2	83.1	88.3	86.6	82.7	75.3	92.4
F	968	80.2	81.4	84.2	89.7	88.3	84.5	77.3	93.9



外形及安装尺寸

Overall Size



SYBS 系列离心式空调风机

概述

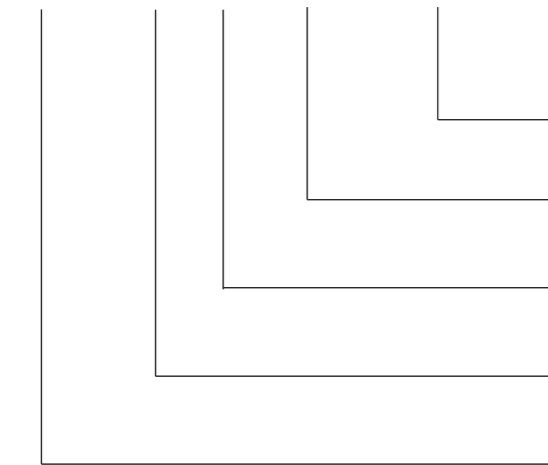
SYBS 系列单进风离心式空调风机流量 300m³/h~4000m³/h, 采用外转子电机直联传动, 具有效率高、噪声低、结构紧凑等特点, 是变风量空调器、管道式空调机组、VAV 系统及其他暖通空调、净化设备理想的配套产品。

Summary

The volume flow ranges of SYBS series single inlet centrifugal air-conditioning fans from 300m³/h to 4200m³/h. SYBS series fans are characterized by compact construction, high efficiency and low noise. They are the ideal subsidiary equipment for various cabinets central air-conditioning units and heating, air-conditioning, cleansing and ventilating equipments.

命名方式

SYBS 200 E (0.33 - 4)



Nomenclature

- 电机极数
Motor polar number
- 电机功率(kW)
Motor power (kW)
- 电源(E-单相,D-三相)
Power supply (E-single phase, D-three phase)
- 叶轮名义直径(mm)
Nominal diameter of Wheel (mm)
- 前向多翼型离心风机系列代号
Fan series with multi-vane forward curved blades

产品型式

1. 旋向

SYBS 系列风机可按图 1 分为左旋(LG)和右旋(RG)两种旋转方式, 从进风一端正视, 叶轮顺时针旋转的称为右旋风机, 逆时针旋转的称为左旋风机。

Product Features

1. Rotation direction

SYBS series fan can be divided into two directions of rotations, left-hand rotation (LG) and right-hand (RD); Viewing from the end hub the Wheel rotates clockwise, it is called right hand fan; if the Wheel rotations' anti-clockwise, it is called left hand fan.

2. 出风口方向

SYBS 系列风机可按图 2 所示制成 0°、90°、180°、270° 四种出风方向。

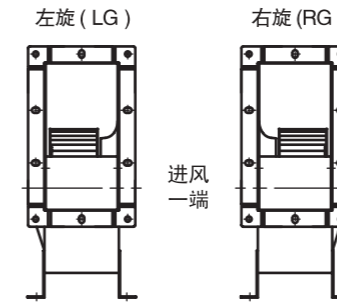


图 1 (Fig 1)

2. Discharge Direction

According to Fig2, SYBS Series fans can be made in four air-outlet directions: 0°, 90°, 180°, and 270°.

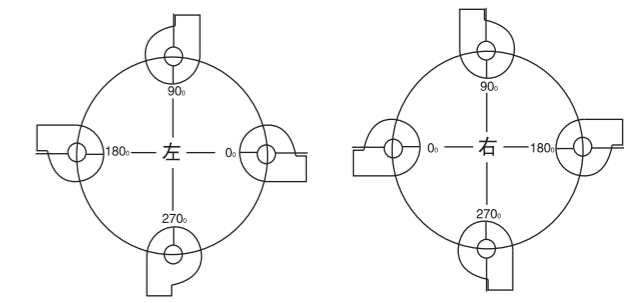


图 2 (Fig 2)

产品结构

SYBS 系列风机主要由机壳、叶轮、支板、电机、四部分组成。

1. 机壳

机壳采用热镀锌钢板制造, 侧板具有符合空气动力的外形, 进风口整体拉伸成型, 蜗板采用点焊方式与侧板连成一体。在侧板上预设一系列的铆螺母孔, 以便按照用户要求的出风口方向进行安装。

2. 叶轮

前向多翼叶轮采用优质热镀锌钢板制成, 叶片设计成符合空气动力学的特定形状, 使得效率最高, 噪声最低。叶片用铆爪固定在中盘及端圈上, 在最大功率连续运转时, 叶轮将具备足够的刚度。所有叶轮进行静平衡和动平衡测试, 内控精度达到 G2.5 级 (ANSI/AMCA 204-05)。

3. 支板(框架)

支板采用优质镀锌板制成, 独特加强工艺保证足够的强度, 支板安装角度可以根据用户的不同需求进行调整。

4. 电机

SYB 系列风机配用外转子低噪声单相、三相电动机, 该电机调速范围广, 可采用调压及变频等手段进行无级调速, 以适应系统负荷多变的要求。

Construction of Product

SYBS series fans consist of housing, Wheel, baseplate and motor.

1. Housing

The housing is made of hot galvanized steel sheet. The side plates include inlets cones that are designed with the best aerodynamics for inlet condition. The scroll is fixed to the side plates by spot welding. On the side of the scroll, there is a series of holes drilled in advance for riveting nuts to carry out installation according to air outlet direction needed by the customer.

2. Wheel

Forward curved Wheel is constructed of high-grade hot galvanized steel sheet with the advanced aerodynamics profile to achieve the highest efficiency and the lowest noise level. The Wheel is fixed on the center plate and on the end ring with riveting grip pres. The Wheel is constructed with maximum strength that endures the continuous operation with maximum power. All Wheels are balanced to the ANSI/AMCA 204-05 Notional Standard. Yilida's internal standard is G2.5 or higher for wheel balancing.

3. Frame

SYBS Series fan baseplate is made of high quality hot galvanizing steel sheet, and the unique process of strengthening ensures the sufficient strength. The direction of baseplate installation can be carried out according to the different requirements of customers,

4. Motor

The motor used in SYBS series fans are equipped with low noise single-phase, or three-phase, The motor rotation speed can be changed by using pressure regulator and frequency converter.

说明

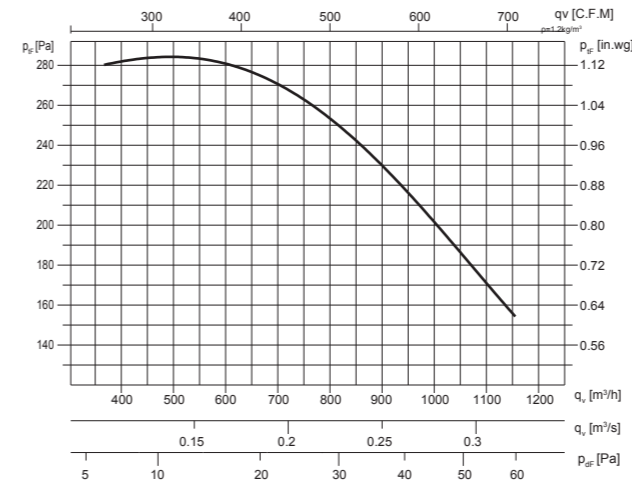
- 1). 风机配用电机功率是指在特定工况下，内功率加上电机容量安全系数而言，并非出风口全开时所需的功率，因此为防止电机因超功率运转而烧毁，严禁风机未加任何外界阻力进行空运转。
- 2). 样本中的风机性能是选用电机额定转速测试的结果，我们亦可通过改变电机的转速达到用户实际的需求。
- 3). 风机在运输、装卸过程中应小心轻放，严禁撞击挤压，严禁堆放于潮湿或有腐蚀性的场合。
- 4). 风机安装前应用手拨动叶轮，检查是否有过紧或碰撞现象，确认没有这些现象后方可进行试运转。
- 5). 风管与风机进风口、出风口之间连接时应尽量采用软连接，接头不得拉得过紧。
- 6). 风机安装后应检查机壳和其他壳体内部，不应遗留的工具和杂物。
- 7). 风机正式运转前，需检查叶轮的转向是否符合侧板上的转向标记。
- 8). 订货时需注明风机型号、配用电机型号、风机的风量、风压等参数。

Instructions

- 1) The rated motor power as calculated herein might not be sufficient to drive the fan with an unrestricted discharge flow. Operating the fan with an unrestricted discharge outlet will result in flow rate that exceeds the specified fan capabilities. Such operation will quickly burn the motor and damage the fan. Great care must be taken in operating the fan to make sure that the maximum rated flows, as provided on the performance charts in this catalog, are not exceeded.
- 2) The fan performance in the catalog is tested under the motor rated speed, we can meet the actual requirement of the user by changing the motor speed.
- 3) Special care should be taken during transportation, load and unload. The fan is limited for use in areas where air substances are non-corrosive, non-toxics and non-erosive.
- 4) Following the installation, the Wheel should be turned by hand or with the use of a wrench to make sure that it turns freely without colliding with other parts of the fan. Once all this is done, the fan can be commissioned normally.
- 5) A flexible connector should be used between the fan out let flange and its mating ductwork. The flex connector should not be over-stretched.
- 6) The inside of the scroll and casing need to be checked to make sure that there are no foreign objects inside the housing, such as tools or loose parts.
- 7) The rotational directions of the motor and Wheel should be checked to ensure that they are in compliance with the specification and purchase orders.
- 8) During ordering it is necessary to state the type of fan, motor type, air flow, air pressure and other parameters.

技术参数

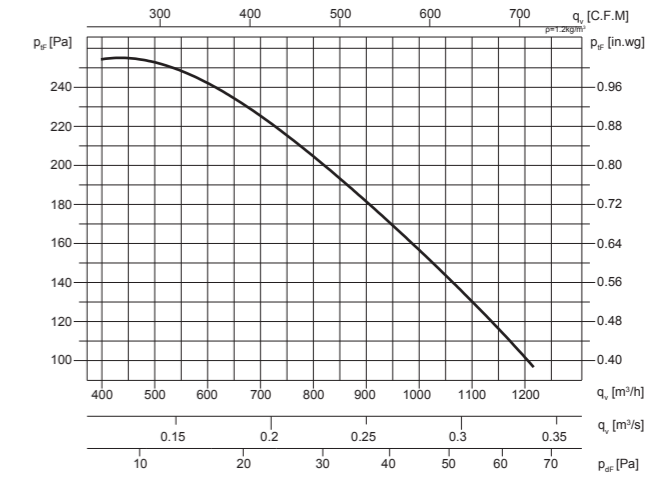
SYBS 200E



Type: SYBS 200E-4	m: 11 kg	P _N : 0.33kW-4P
	U: 230 v	N: 1280 r/min
	I _N : 1.5 A	IP: IP54

Technical Data

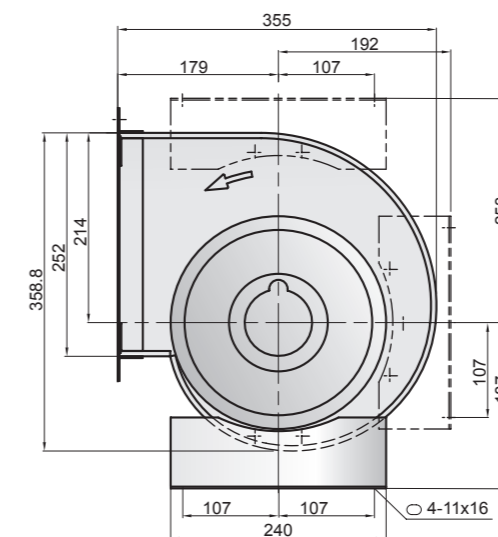
SYBS 200D



Type: SYBS 200D-4	m: 11 kg	P _N : 0.33kW-4P
	U: 380 V	N: 1270r/min
	I _N : 0.63 A	IP: IP54

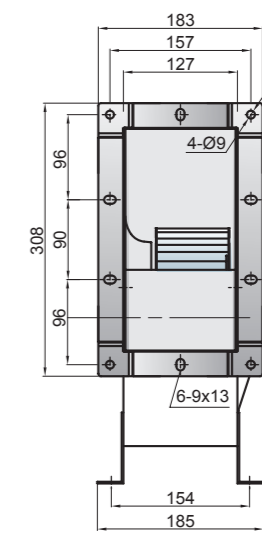
外形及安装尺寸

注：外形尺寸的单位为 mm。



Overall Size

Note: the overall size unit is mm.



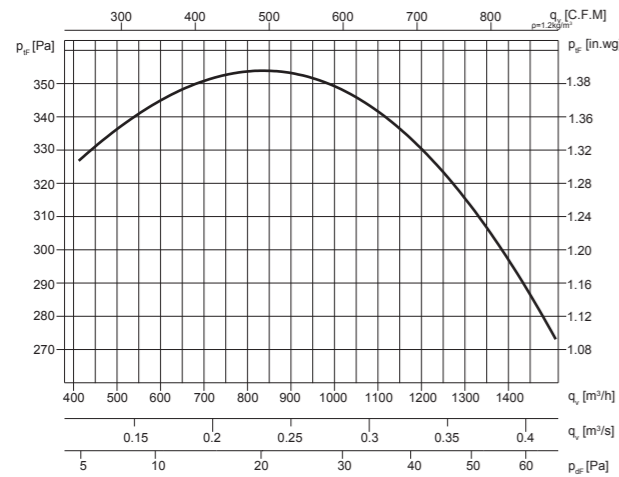
技术参数

Technical Data

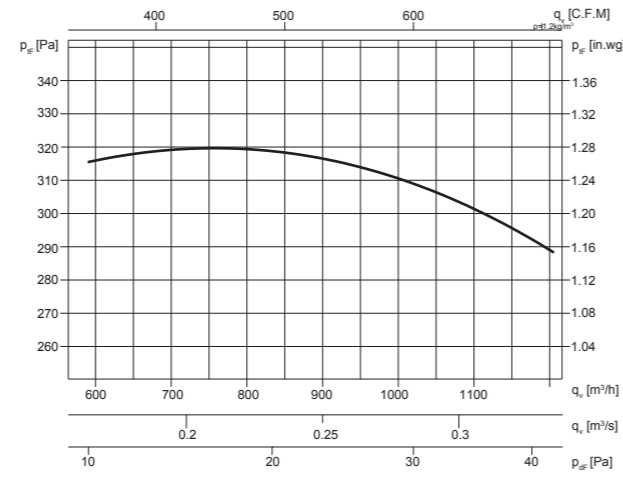
技术参数

Technical Data

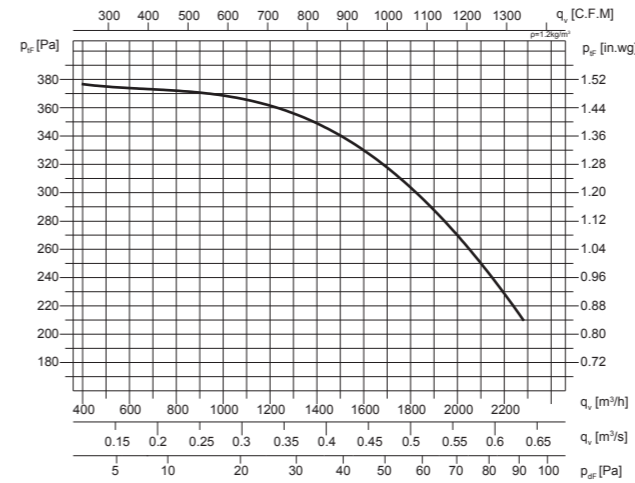
SYBS 225E



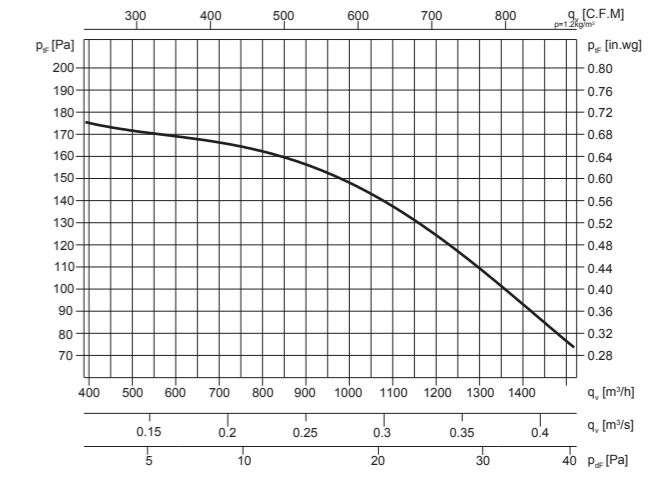
SYBS 225D



SYBS 250E



SYBS 250E



Type:	m: 14 kg	P_N : 0.48kW-4P
SYBS 225E-4	U: 230 v	N: 1330 r/min
	I_N : 2.2 A	IP: IP54

Type:	m: 14 kg	P_N : 0.36kW-4P
SYBS 225D-4	U: 380 v	N: 1330r/min
	I_N : 0.68 A	IP: IP54

Type:	m: 17 kg	P_N : 0.81kW-4P
SYBS 250E-4	U: 230 v	N: 1330 r/min
	I_N : 3.65 A	IP: IP54

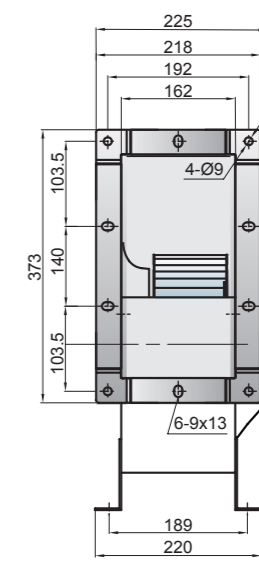
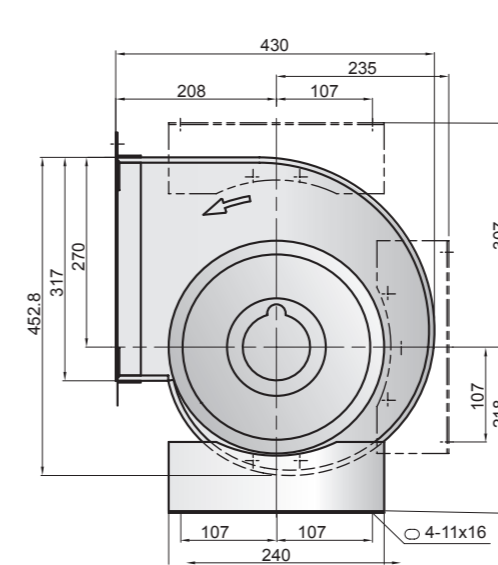
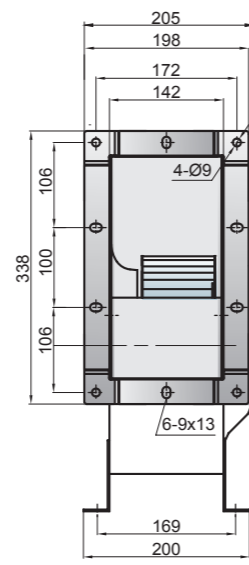
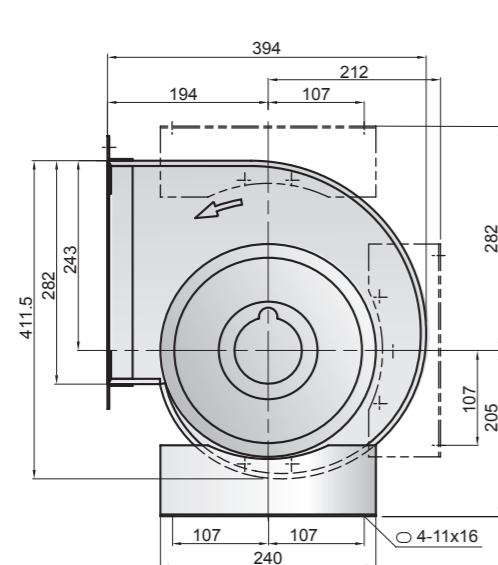
Type:	m: 17 kg	P_N : 0.32kW-6P
SYBS 250E-6	U: 230 v	N: 890r/min
	I_N : 1.6 A	IP: IP54

外形及安装尺寸

Overall Size

外形及安装尺寸

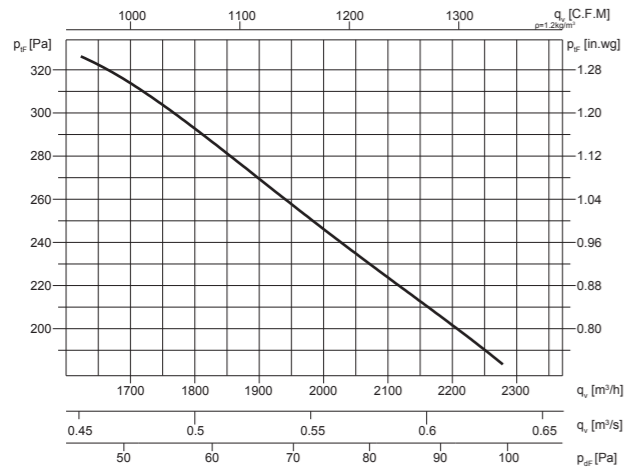
Overall Size



技术参数

Technical Data

SYBS 250D

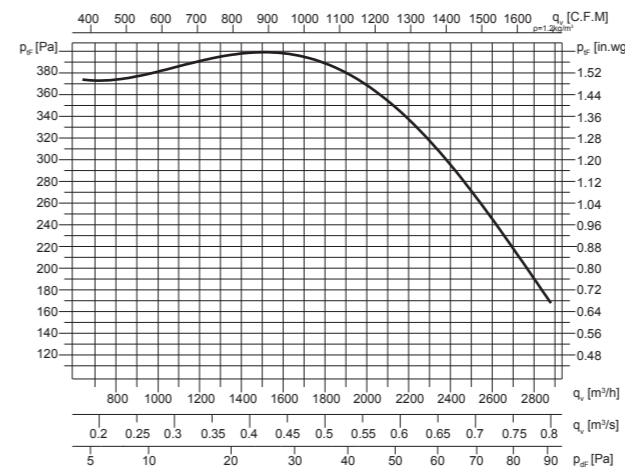


Type:	m: 17 kg	P _N : 0.85kW-4P
SYBS 250D-4	U: 380 v	N: 1370 r/min
	I _N : 1.7 A	IP: IP54

技术参数

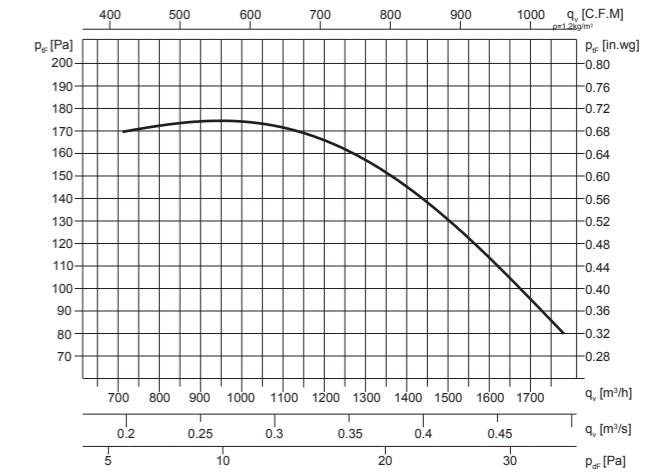
Technical Data

SYBS 280E



Type:	m: 26 kg	P _N : 1.25kW-4P
SYBS 280E-4	U: 230 v	N: 1380 r/min
	I _N : 5.6 A	IP: IP54

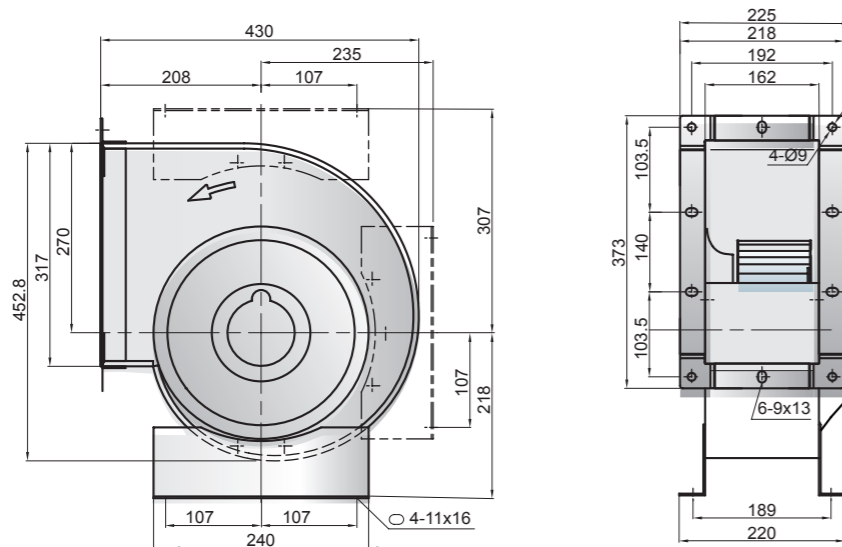
SYBS 280E



Type:	m: 26 kg	P _N : 0.33kW-6P
SYBS 280E-6	U: 230 v	N: 930r/min
	I _N : 1.7 A	IP: IP54

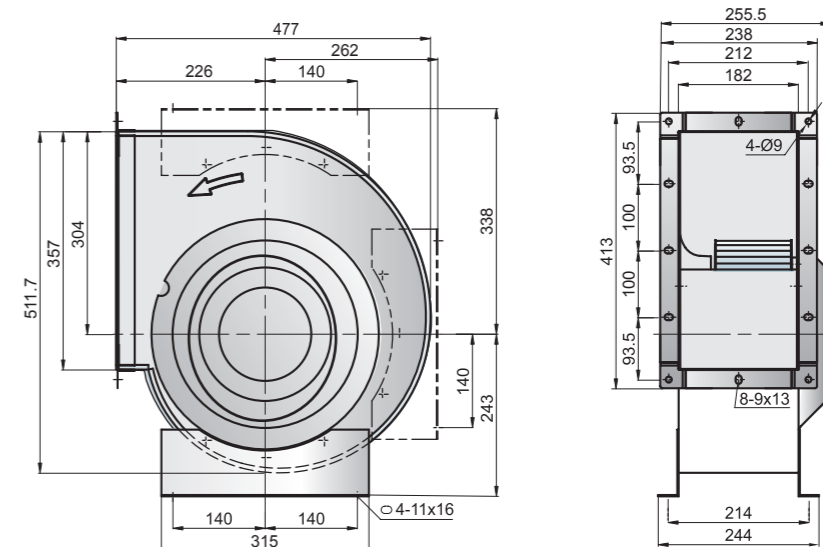
外形及安装尺寸

Overall Size



外形及安装尺寸

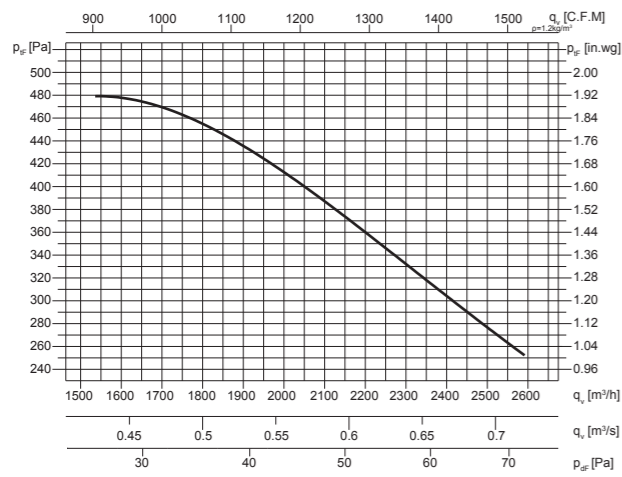
Overall Size



技术参数

Technical Data

SYBS 280D

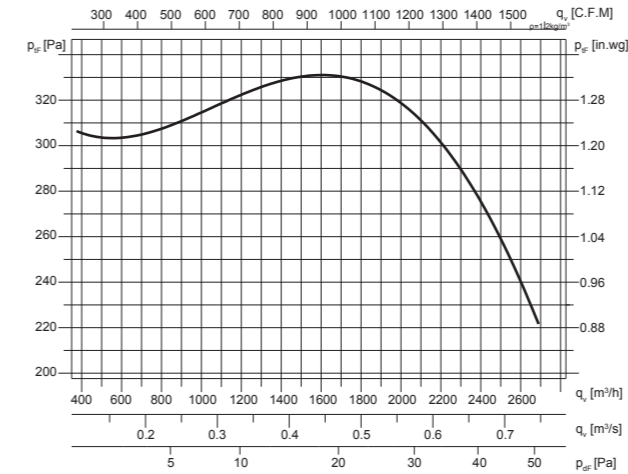


Type:	m: 26 kg	PN: 1kW-4P
SYBS 280D-4	U: 380 v	N: 1280 r/min
	IN: 1.7 A	IP: IP54

技术参数

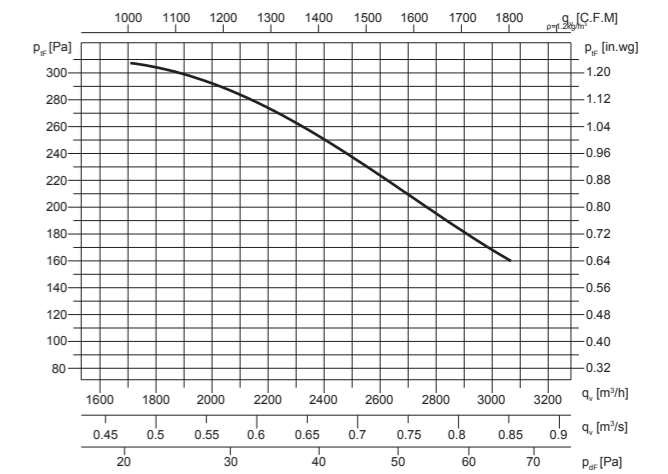
Technical Data

SYBS 315E



Type:	m: 29.5 kg	P _N : 0.75kW-6P
SYBS 315E-6	U: 230 v	N: 870 r/min
	I _N : 3.6 A	IP: IP54

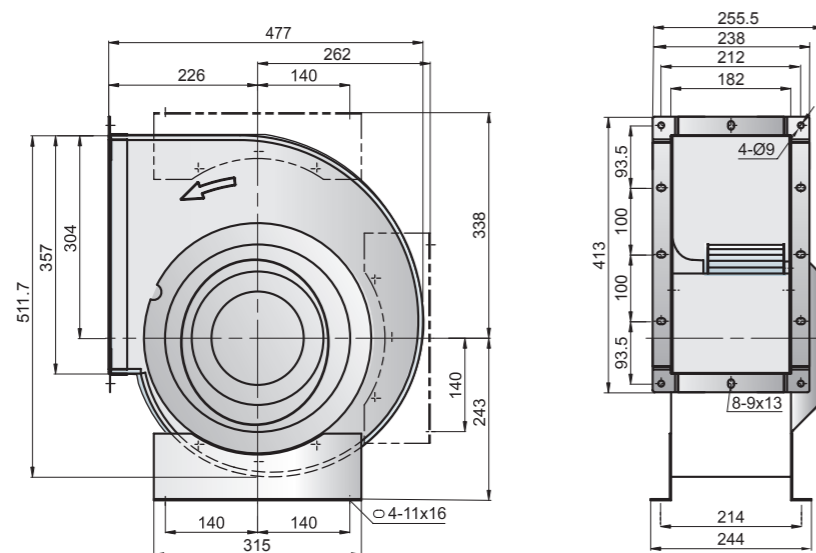
SYBS 315D



Type:	m: 29.5 kg	P _N : 0.78W-6P
SYBS 315D-6	U: 380 v	N: 840r/min
	I _N : 1.5 A	IP: IP54

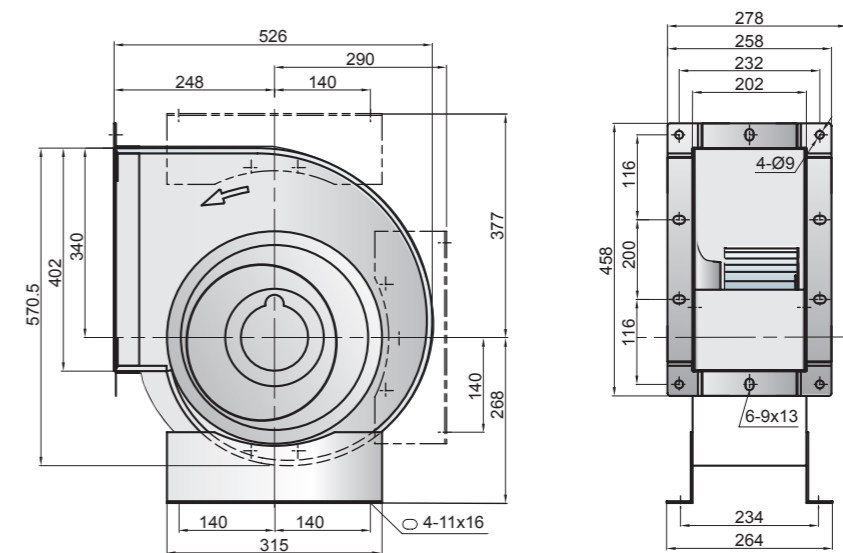
外形及安装尺寸

Overall Size



外形及安装尺寸

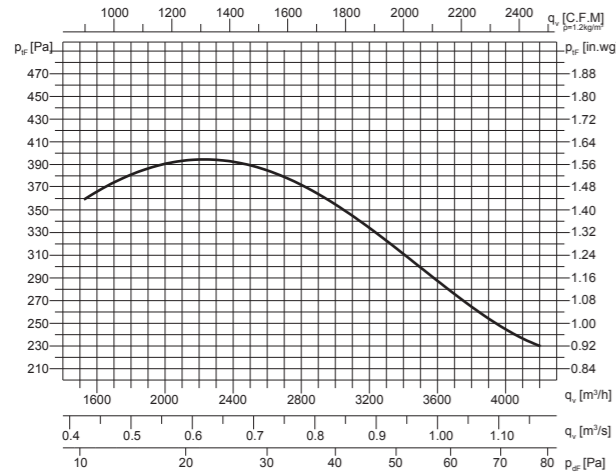
Overall Size



技术参数

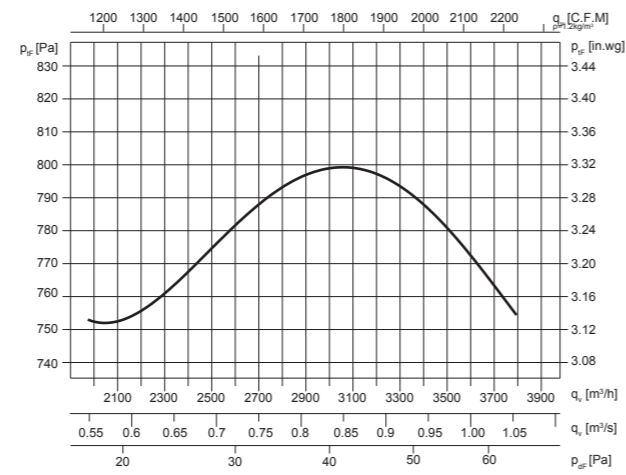
Technical Data

SYBS 355D



Type:	m: 37 kg	P _N : 1.15W-6P
SYBS 355D-6	U: 380 v	N: 810 r/min
	I _N : 2.2 A	IP: IP54

SYBS 355D



Type:	m: 38 kg	P _N : 2kW-4P
SYBS 355D-4	U: 380 v	N: 1360r/min
	I _N : 3.8 A	IP: IP54

外形及安装尺寸

Overall Size

